

Notes:

- 1) Polarity Indicator
- 2) Model Number of Product
- 3) Revision of Product
- 4) CE Logo
- 5) 6-Digit MAC ID (last 6 #'s of MAC ID)
- 6) 2D Bar Code of full 12 Digit MAC ID (Datamatrix)

Base Material (Blank Label Material Specification)

Blank Label Laird Part Number 1400-00140
 8.1mm x 6.5mm

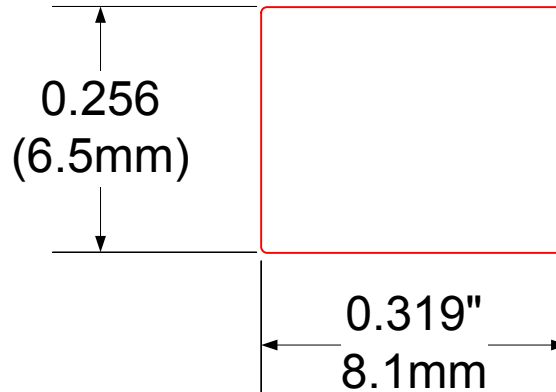
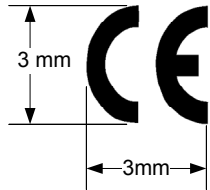
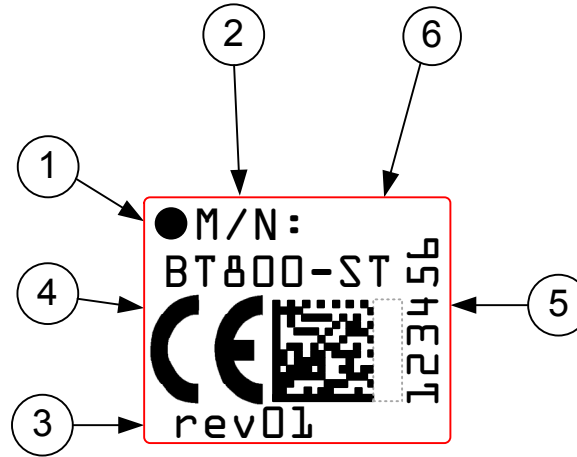
Material: Polyimide
 (Must withstand 260 degree's C)

Adhesive Typically Acrylic but any permanent adhesive capable of withstanding 260 degree's C is acceptable.

Color: Glossy White

Text: Black (if printed)

Corners: Max radius acceptable 1.mm



All Dimension in Inches unless otherwise shown. Tolerance; .X +/- 0.1 .XX +/- 0.01 .XXX +/- 0.005 Angle +/- 1 deg.			Laird TECHNOLOGIES		
Title BT800-ST rev 01 Label					
Dwg. No. 2100-00156		Rev 0			
Drawn by drk	Date 9-8-14	Sheet 1/1			

