

FCC DFS Test Report

FCC ID : SQG-SSD45N
Equipment : Radio module
Model No. : SSD45N
Brand Name : Laird Connectivity
Applicant : Laird Connectivity LLC
Address : W66N220 Commerce Court, Cedarburg, WI
53012 United States Of America
Standard : 47 CFR FCC Part 15.407
Received Date : Mar. 07, 2022
Tested Date : Mar. 25, 2022
Operating Mode : Client Without Radar Detection

We, International Certification Corporation, would like to declare that the tested sample has been evaluated and in compliance with the requirement of the above standards. The test results contained in this report refer exclusively to the product. It shall not be reproduced except in full without the written approval of our laboratory.

Reviewed by:

Approved by:



Along Chen / Assistant Manager



Gary Chang / Manager

Table of Contents

| | | |
|----------|---|-----------|
| 1 | GENERAL DESCRIPTION | 5 |
| 1.1 | Information..... | 5 |
| 1.2 | Support Equipment List | 6 |
| 1.3 | The Equipment List | 6 |
| 1.4 | Testing Condition | 7 |
| 1.5 | Testing Facility | 7 |
| 1.6 | Test Standards | 7 |
| 1.7 | Deviation from Test Standard and Measurement Procedure..... | 7 |
| 1.8 | Measurement Uncertainty | 7 |
| 2 | TECHNICAL REQUIREMENTS FOR DFS..... | 8 |
| 2.1 | Applicability of DFS Requirements..... | 8 |
| 2.2 | DFS Detection Thresholds and Response Requirement | 9 |
| 2.3 | Radar Test Waveforms | 10 |
| 3 | DFS TEST RESULT..... | 14 |
| 3.1 | DFS Detection Threshold levels..... | 14 |
| 3.2 | In-Service Monitoring | 15 |
| 4 | TEST LABORATORY INFORMATION | 18 |

Release Record

| Report No. | Version | Description | Issued Date |
|-------------|---------|---------------|--------------|
| FZ442904-09 | Rev. 01 | Initial issue | May 18, 2022 |

Summary of Test Results

| FCC Rules | | Description of Test | Result |
|------------|----------------|-----------------------------------|--------|
| FCC 15.407 | KDB 905462 D02 | Non-Occupancy Period | Pass |
| FCC 15.407 | KDB 905462 D02 | Channel Closing Transmission Time | Pass |
| FCC 15.407 | KDB 905462 D02 | Channel Move Time | Pass |

Declaration of Conformity:

The test results with all measurement uncertainty excluded are presented in accordance with the regulation limits or requirements declared by manufacturers.

Comments and Explanations:

The declared of product specification for EUT presented in the report are provided by the manufacturer, and the manufacturer takes all the responsibilities for the accuracy of product specification.

1 General Description

1.1 Information

This report is issued as a supplementary report to original ICC report no. FZ442904. The difference is concerned with following item:

- ✧ New applicant name & address.
- ✧ New brand name.
- ✧ Power Amplifier, Diplexer and RF Shielding Can changed.

In this report, all tests had been re-tested and presented in the following sections.

1.1.1 Specification of the Equipment under Test (EUT)

| | |
|------------------------------------|--|
| Frequency Range (GHz) | 5.15~5.25, 5.25~5.35, 5.47~5.725, 5.725~5.85 |
| Wireless Function | 11a / HT20 |
| Operating Mode at DFS Band | Client without radar detection and ad hoc function |
| Firmware / Software Version | 23.3.3.5 |

1.1.2 Antenna Details

| Ant. No. | Brand | Type | Connector | Antenna Gain (dBi) | |
|----------|---------------------------------------|------------|---------------------|--------------------|---------------|
| | | | | 5250~5350 MHz | 5470~5725 MHz |
| 1 | MAG.LAYERS/EDA-1513-25GR 2-B2-CY | Dipole | SMA Jack Reverse | 2 | 2 |
| 2 | Laird/NanoBlade-IP04 | PCB Dipole | UFL | 3.9 | 4 |
| 3 | Laird/MAF95310 Mini NanoBlade Flex | PCB Dipole | UFL | 3.38 | 3.38 |
| 4 | Ethertronics/WLAN_1000146 | PIFA | UFL | 3.5 | 3.5 |
| 5 | SAA / MG7018-41-000-R | Dipole | UFL | 0.6 | 0.94 |
| 6 | SAA / MG7324-41-000-R | Dipole | UFL | 1.6 | 2.75 |
| 7 | EMF2449A1-33UFL | PCB Dipole | UFL | 3.3 | 3.3 |

1.2 Support Equipment List

| Support Equipment List | | | | |
|------------------------|-----------|------------|----------------|-------------|
| No. | Equipment | Brand Name | Model Name | Remarks |
| 1 | AP | Netgear | R6100 | PY312400225 |
| 2 | Notebook | DELL | LATITUDE-E6430 | 9ZFB4X1 |

1.3 The Equipment List

| Test Site | DF01-WS | | | | |
|----------------------------|------------------------|--------------|----------------|------------------|-------------------|
| Tested Date | Mar. 25, 2022 | | | | |
| Instrument | Brand | Model No. | Serial No. | Calibration Date | Calibration Until |
| Spectrum Analyzer | R&S | FSV7 | 101607 | Jan. 28, 2022 | Jan. 27, 2023 |
| Horn Antenna 1G-18G | ETS-LINDGREN | 3115 | 00149268 | Sep. 27, 2021 | Sep. 26, 2022 |
| RF Cable | HUBER+SUHNER | SUCOFLEX_104 | MY15686/4 | Oct. 12, 2021 | Oct. 11, 2022 |
| RF Cable | HUBER+SUHNER | SUCOFLEX_104 | 296081/4 | Oct. 14, 2021 | Oct. 13, 2022 |
| RF Cable | HUBER+SUHNER | SUCOFLEX_104 | 329023/4 | Oct. 14, 2021 | Oct. 13, 2022 |
| RF Cable | HUBER+SUHNER | SUCOFLEX_104 | 329021/4 | Oct. 14, 2021 | Oct. 13, 2022 |
| Vector signal generator | R&S | SMJ100A | 100498 | Feb. 13, 2022 | Feb. 12, 2023 |
| Splitter (1X2) | WOKEN | 2WAYDIV | 12101200003 | Oct. 14, 2021 | Oct. 13, 2022 |
| Splitter (1X4) | WOKEN | 4WAYDIV | 0120A042011010 | Oct. 14, 2021 | Oct. 13, 2022 |
| Attenuator | woken | PE7013-10 | 10-1 | Oct. 14, 2021 | Oct. 13, 2022 |
| Attenuator | woken | PE7013-10 | 10-2 | Oct. 14, 2021 | Oct. 13, 2022 |
| Attenuator | woken | PE7013-20 | 20-1 | Oct. 14, 2021 | Oct. 13, 2022 |
| Attenuator | woken | PE7013-20 | 20-2 | Oct. 14, 2021 | Oct. 13, 2022 |
| 20dB Attenuator | MVE | MVE2462-20 | 16050401 | Oct. 14, 2021 | Oct. 13, 2022 |
| 30dB Attenuator | MVE | MVE2462-30 | 16050401 | Oct. 14, 2021 | Oct. 13, 2022 |
| Direction Coupler | Marvelous Microwave | MVE4514-20 | 20 | Oct. 14, 2021 | Oct. 13, 2022 |
| Measurement Software | ICC | DFS | V1.3.30 | NA | NA |

Note: Calibration Interval of instruments listed above is one year.

1.4 Testing Condition

| Test Item | Test Site | Ambient Condition | Tested By |
|-----------|-----------|-------------------|-----------|
| DFS | DF01-WS | 25°C / 65% | Jack Li |

- FCC Designation No.: TW2732
- FCC site registration No.: 181692
- ISED#: 10807A
- CAB identifier: TW2732

1.5 Testing Facility

| | |
|----------------------|--|
| Test Laboratory | International Certification Corporation |
| Test Site | DF01-WS |
| Address of Test Site | No.3-1, Lane 6, Wen San 3rd St., Kwei Shan Dist., Tao Yuan City 33381, Taiwan (R.O.C.) |

1.6 Test Standards

- 47 CFR FCC Part 15.407
 FCC KDB 905462 D02 UNII DFS Compliance Procedures New Rules v02
 FCC KDB 905462 D03 UNII Clients Without Radar Detection New Rules v01r02
 FCC KDB 905462 D06 802 11 Channel Plans New Rules v02

1.7 Deviation from Test Standard and Measurement Procedure

None

1.8 Measurement Uncertainty

The measurement uncertainties given below are based on a 95% confidence level (based on a coverage factor (k=2)).

| Measurement Uncertainty | |
|-------------------------|-------------|
| Parameters | Uncertainty |
| Time | ±0.1% |

2 Technical Requirements for DFS

2.1 Applicability of DFS Requirements

2.1.1 Applicability of DFS Requirements Prior to use of a Channel

| Requirement | Operational Mode | | |
|---------------------------------|------------------|--------------------------------|-----------------------------|
| | Master | Client Without Radar Detection | Client With Radar Detection |
| Non-Occupancy Period | Yes | Not required | Yes |
| DFS Detection Threshold | Yes | Not required | Yes |
| Channel Availability Check Time | Yes | Not required | Not required |
| U-NII Detection Bandwidth | Yes | Not required | Yes |

2.1.2 Applicability of DFS Requirements during Normal Operation

| Requirement | Operational Mode | |
|-----------------------------------|---------------------------------------|--------------------------------|
| | Master or Client With Radar Detection | Client Without Radar Detection |
| DFS Detection Threshold | Yes | Not required |
| Channel Closing Transmission Time | Yes | Yes |
| Channel Move Time | Yes | Yes |
| U-NII Detection Bandwidth | Yes | Not required |

| Additional requirements for devices with multiple bandwidth modes | Operational Mode | |
|---|---------------------------------------|--|
| | Master or Client With Radar Detection | Client Without Radar Detection |
| U-NII Detection Bandwidth and Statistical Performance Check | All BW modes must be tested | Not required |
| Channel Move Time and Channel Closing Transmission Time | Test using widest BW mode available | Test using the widest BW mode available for the link |
| All other tests | Any single BW mode | Not required |

Note: Frequencies selected for statistical performance check should include several frequencies within the radar detection bandwidth and frequencies near the edge of the radar detection bandwidth. For 802.11 devices it is suggested to select frequencies in all 20 MHz channel blocks and a null frequencies between the bonded 20 MHz channel blocks.

2.2 DFS Detection Thresholds and Response Requirement

Below table provides the DFS Detection Thresholds for Master Devices as well as Client Devices incorporating In-Service Monitoring.

DFS Detection Thresholds for Master Devices and Client Devices With Radar Detection.

| Maximum Transmit Power | Value (See Notes 1 , 2 and 3) |
|--|-------------------------------|
| EIRP \geq 200 milliwatt | -64 dBm |
| EIRP < 200 milliwatt and power spectral density < 10 dBm / MHz | -62 dBm |
| EIRP < 200 milliwatt and that do not meet the power spectral density requirement | -64 dBm |

Note 1: This is the level at the input of the receiver assuming a 0 dBi receive antenna.
 Note 2: Throughout these test procedures an additional 1 dB has been added to the amplitude of the test transmission waveforms to account for variations in measurement equipment. This will ensure that the test signal is at or above the detection threshold level to trigger a DFS response.
 Note3: EIRP is based on the highest antenna gain. For MIMO devices refer to KDB Publication 662911 D01.

DFS Response Requirement Values

| Parameter | Value |
|-----------------------------------|--|
| Non-occupancy period | Minimum 30 minutes. |
| Channel Availability Check Time | 60 seconds. |
| Channel Move Time | 10 seconds. (See Note 1.) |
| Channel Closing Transmission Time | 200 milliseconds + an aggregate of 60 milliseconds over remaining 10 second period. (See Notes 1 and 2.) |
| U-NII Detection Bandwidth | Minimum 100% of the U- NII 99% transmission power bandwidth. (See Note 3.) |

Note 1: Channel Move Time and the Channel Closing Transmission Time should be performed with Radar Type 0. The measurement timing begins at the end of the Radar Type 0 burst.
Note 2: The Channel Closing Transmission Time is comprised of 200 milliseconds starting at the beginning of the Channel Move Time plus any additional intermittent control signals required to facilitate a Channel move (an aggregate of 60 milliseconds) during the remainder of the 10 second period. The aggregate duration of control signals will not count quiet periods in between transmissions.
Note 3: During the U-NII Detection Bandwidth detection test, radar type 0 should be used. For each frequency step the minimum percentage of detection is 90 percent. Measurements are performed with no data traffic.

2.3 Radar Test Waveforms

This section provides the parameters for required test waveforms, minimum percentage of successful detections, and the minimum number of trials that must be used for determining DFS conformance. Step intervals of 0.1 microsecond for Pulse Width, 1 microsecond for PRI, 1 MHz for chirp width and 1 for the number of pulses will be utilized for the random determination of specific test waveforms.

2.3.1 Short Pulse Radar Test Waveforms

| Radar Type | Pulse Width (μsec) | PRI (μsec) | Number of Pulses | Minimum Percentage of Successful Detection | Minimum Number of Trials |
|--|--------------------|---|---|--|--------------------------|
| 0 | 1 | 1428 | 18 | See Note1 | See Note1 |
| 1 | | Test A: 15 unique PRI values randomly selected from the list of 23 PRI values in Table 5a Test B: 15 unique PRI values randomly selected within the range of 518-3066 μ sec, with a minimum increment of 1 μsec, excluding PRI values selected in Test A | $\text{Roundup} \left\{ \left(\frac{1}{360} \right), \left(\frac{19 \cdot 10^6}{\text{PRI}_{\mu\text{sec}}} \right) \right\}$ | 60% | 30 |
| 2 | 1-5 | 150-230 | 23-29 | 60% | 30 |
| 3 | 6-10 | 200-500 | 16-18 | 60% | 30 |
| 4 | 11-20 | 200-500 | 12-16 | 60% | 30 |
| Aggregate (Radar Types 1-4) | | | | 80% | 120 |
| Note 1: Short Pulse Radar Type 0 should be used for the detection bandwidth test, channel move time, and channel closing time tests. | | | | | |

A minimum of 30 unique waveforms are required for each of the Short Pulse Radar Types 2 through 4. If more than 30 waveforms are used for Short Pulse Radar Types 2 through 4, then each additional waveform must also be unique and not repeated from the previous waveforms. If more than 30 waveforms are used for Short Pulse Radar Type 1, then each additional waveform is generated with Test B and must also be unique and not repeated from the previous waveforms in Tests A or B.

Pulse Repetition Intervals Values for Test A

| Pulse Repetition Frequency Number | Pulse Repetition Frequency (Pulses Per Second) | Pulse Repetition Interval (Microseconds) |
|--|---|---|
| 1 | 1930.5 | 518 |
| 2 | 1858.7 | 538 |
| 3 | 1792.1 | 558 |
| 4 | 1730.1 | 578 |
| 5 | 1672.2 | 598 |
| 6 | 1618.1 | 618 |
| 7 | 1567.4 | 638 |
| 8 | 1519.8 | 658 |
| 9 | 1474.9 | 678 |
| 10 | 1432.7 | 698 |
| 11 | 1392.8 | 718 |
| 12 | 1355 | 738 |
| 13 | 1319.3 | 758 |
| 14 | 1285.3 | 778 |
| 15 | 1253.1 | 798 |
| 16 | 1222.5 | 818 |
| 17 | 1193.3 | 838 |
| 18 | 1165.6 | 858 |
| 19 | 1139 | 878 |
| 20 | 1113.6 | 898 |
| 21 | 1089.3 | 918 |
| 22 | 1066.1 | 938 |
| 23 | 326.2 | 3066 |

2.3.2 Long Pulse Radar Test Waveform

| Radar Type | Pulse Width (μsec) | Chirp Width (MHz) | PRI (μsec) | Number of Pulses per Burst | Number of Bursts | Minimum Percentage of Successful Detection | Minimum Number of Trials |
|------------|--------------------|-------------------|------------|----------------------------|------------------|--|--------------------------|
| 5 | 50-100 | 5-20 | 1000-2000 | 1-3 | 8-20 | 80% | 30 |

The parameters for this waveform are randomly chosen. Thirty unique waveforms are required for the Long Pulse Radar Type waveforms. If more than 30 waveforms are used for the Long Pulse Radar Type waveforms, then each additional waveform must also be unique and not repeated from the previous waveforms.

2.3.3 Frequency Hopping Radar Test Waveform

| Radar Type | Pulse Width (μsec) | PRI (μsec) | Pulses per Hop | Hopping Rate (kHz) | Hopping Sequence Length (msec) | Minimum Percentage of Successful Detection | Minimum Number of Trials |
|------------|--------------------|------------|----------------|--------------------|--------------------------------|--|--------------------------|
| 6 | 1 | 333 | 9 | 0.333 | 300 | 70% | 30 |

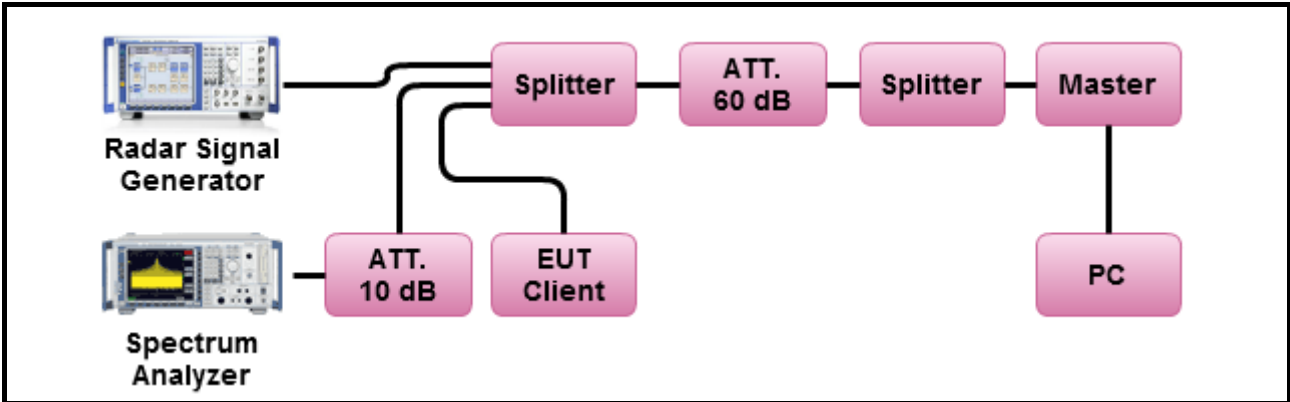
For the Frequency Hopping Radar Type, the same *Burst* parameters are used for each waveform. The hopping sequence is different for each waveform and a 100-length segment is selected from the hopping sequence defined by the following algorithm:

The first frequency in a hopping sequence is selected randomly from the group of 475 integer frequencies from 5250 – 5724 MHz. Next, the frequency that was just chosen is removed from the group and a frequency is randomly selected from the remaining 474 frequencies in the group. This process continues until all 475 frequencies are chosen for the set. For selection of a random frequency, the frequencies remaining within the group are always treated as equally likely

2.3.4 Radar waveform generation

A Signal Generator is used for the DFS signal generation. This instrument is capable of generating all the above waveforms with Pulse Sequencer Software. The R&S Pulse Sequencer Software comes as a stand-alone PC based software with preconfigured project files for DFS. It simplifies the generation of all required waveforms and offers a one box solution

2.3.5 DFS Test Setup

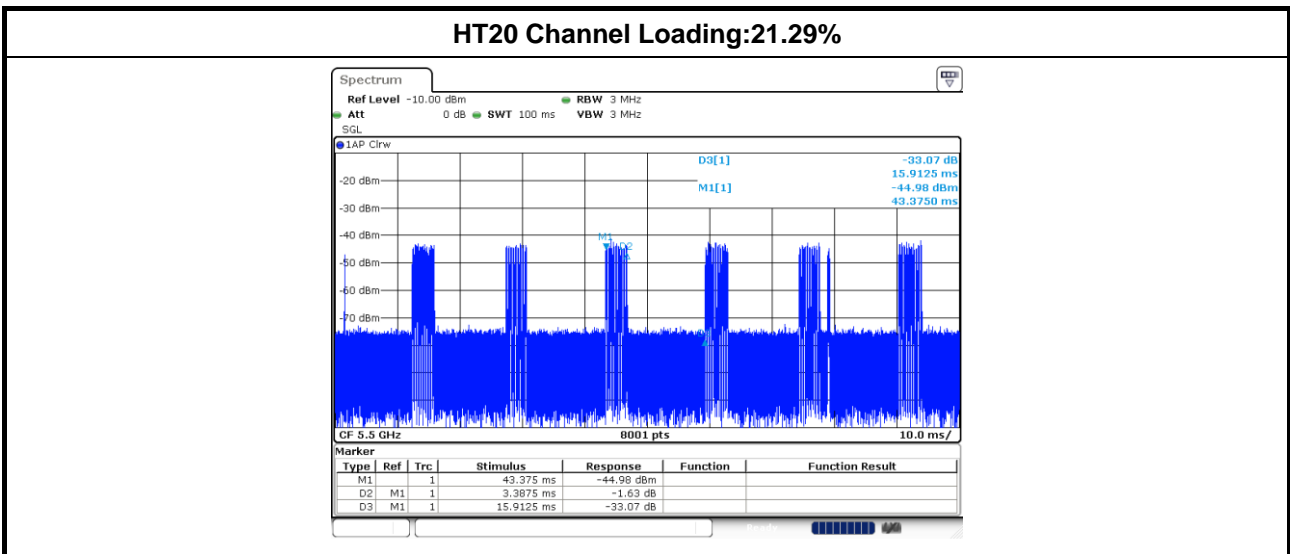


2.3.6 Channel Loading/Data Streaming

IP Based (Load Based) - stream the test file from the Master to the Client.

The data file must be of a type that is typical for the device (i.e., MPEG-2, MPEG-4, WAV, MP3, MP4, AVI, etc.) and must generally be transmitting in a streaming mode.

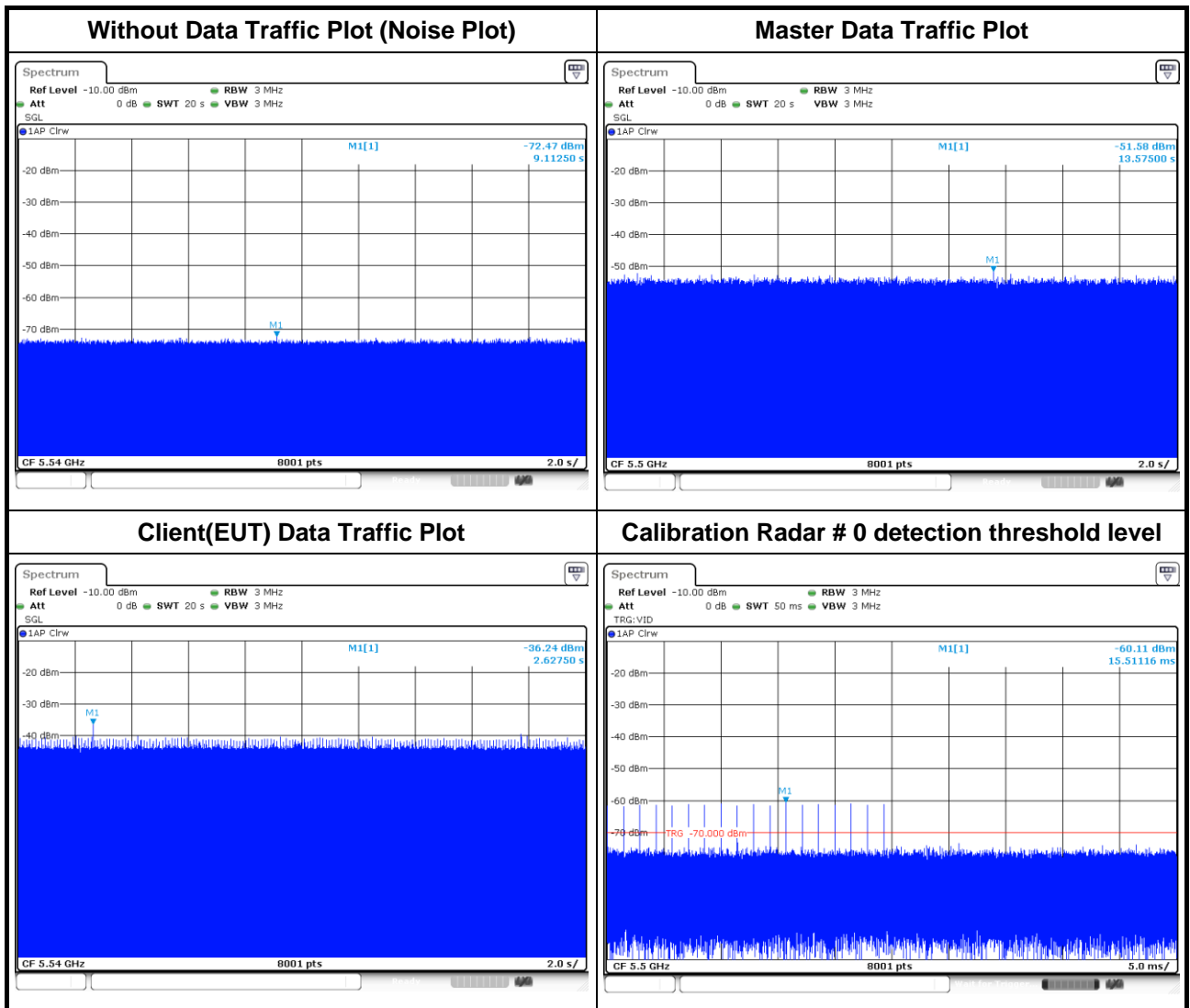
Minimum channel loading of approximately 17 %



3 DFS test result

3.1 DFS Detection Threshold levels

| Master DFS Threshold Level |
|---|
| DFS Threshold level: -60.1dBm |
| The Interference Radar Detection Threshold Level is $(-64\text{dBm}) + ([2.9\text{dB}]) + \{1\text{ dB}\} = -60.1\text{ dBm}$. That had been taken into account the master output power range and antenna gain. |



3.2 In-Service Monitoring

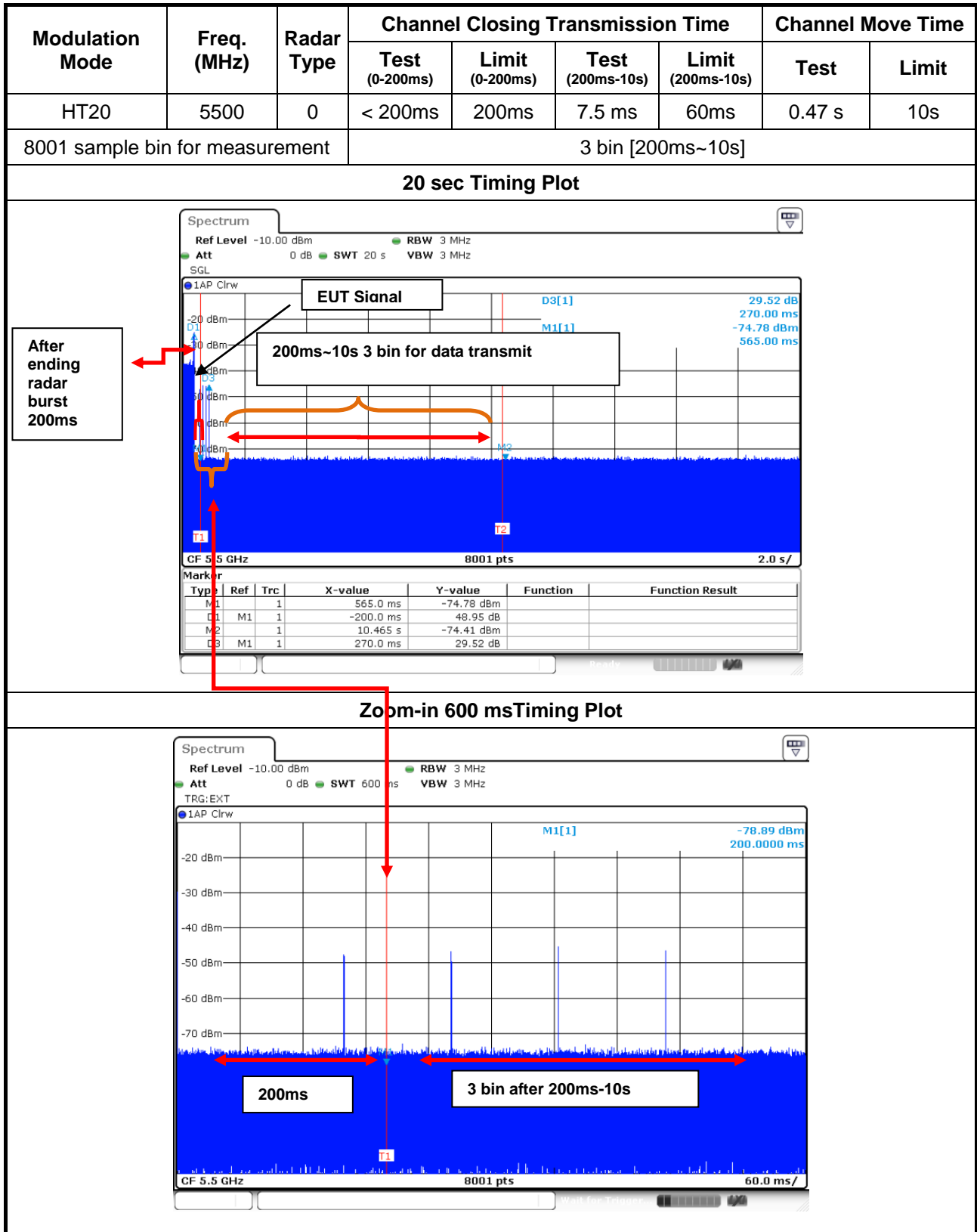
3.2.1 In-service Monitoring Limit

| In-service Monitoring Limit | |
|-----------------------------------|---|
| Channel Move Time | 10 sec |
| Channel Closing Transmission Time | 200 ms + an aggregate of 60 ms over remaining 10 sec periods. |
| Non-occupancy period | Minimum 30 minutes |

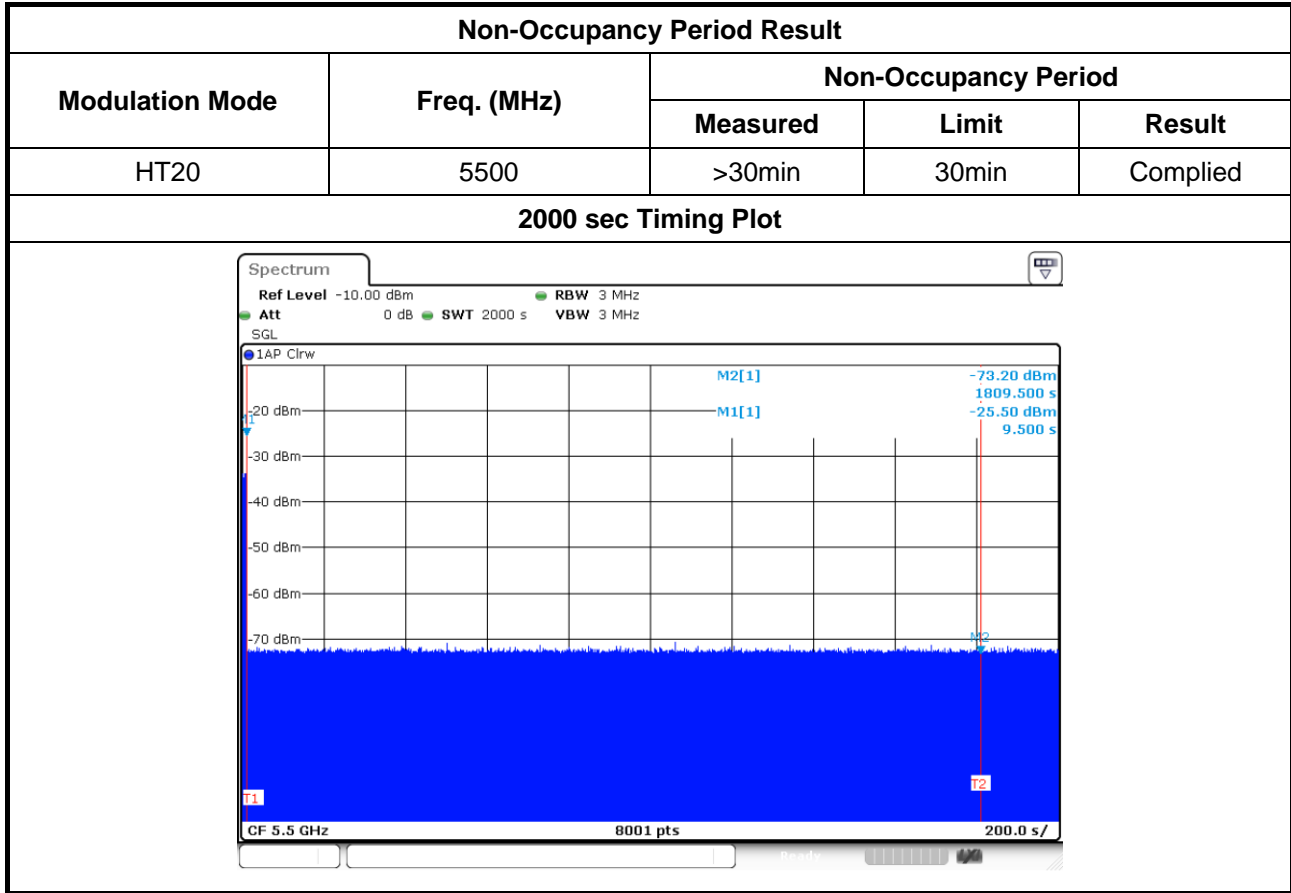
3.2.2 Test Procedures

| Test Method | |
|-------------------------------------|--|
| <input checked="" type="checkbox"/> | Refer as FCC KDB 905462 D02, clause 7.8.3 verified during In-Service Monitoring; Channel Closing Transmission Time, Channel Move Time. Client Device will associate with the EUT. Observe the transmissions of the EUT at the end of the radar Burst on the Operating Channel for duration greater than 10 seconds. Measure and record the transmissions from the EUT during the observation time (Channel Move Time). Compare the Channel Move Time and Channel Closing Transmission Time limits. |
| <input checked="" type="checkbox"/> | Refer as FCC KDB 905462 D02, clause 7.8.3 verified during In-Service Monitoring; Non-Occupancy Period. Client Device will associate with the EUT. Observe the transmissions of the EUT at the end of the radar Burst on the Operating Channel for duration greater than 10 seconds. Measure and record the transmissions from the EUT during the observation time (Non-Occupancy Period). Compare the Non-Occupancy Period limits. |

3.2.3 Test Result of Channel Closing Transmission and Channel Move Time



3.2.4 Test Result of Non-Occupancy



4 Test laboratory information

Established in 2012, ICC provides foremost EMC & RF Testing and advisory consultation services by our skilled engineers and technicians. Our services employ a wide variety of advanced edge test equipment and one of the widest certification extents in the business.

International Certification Corporation (EMC and Wireless Communication Laboratory), it is our definitive objective is to institute long term, trust-based associations with our clients. The expectation we set up with our clients is based on outstanding service, practical expertise and devotion to a certified value structure. Our passion is to grant our clients with best EMC / RF services by oriented knowledgeable and accommodating staff.

Our Test sites are located at Linkou District and Kwei Shan District. Location map can be found on our website <http://www.icertifi.com.tw>.

Linkou

Tel: 886-2-2601-1640

No.30-2, Ding Fwu Tsuen, Lin Kou
District, New Taipei City, Taiwan
(R.O.C.)

Kwei Shan

Tel: 886-3-271-8666

No.3-1, Lane 6, Wen San 3rd
St., Kwei Shan Dist., Tao Yuan
City 33381, Taiwan (R.O.C.)
No.2-1, Lane 6, Wen San 3rd
St., Kwei Shan Dist., Tao Yuan
City 33381, Taiwan (R.O.C.)

Kwei Shan Site II

Tel: 886-3-271-8640

No.14-1, Lane 19, Wen San 3rd
St., Kwei Shan Dist., Tao Yuan
City 333, Taiwan (R.O.C.)

If you have any suggestion, please feel free to contact us as below information.

Tel: 886-3-271-8666

Fax: 886-3-318-0345

Email: ICC_Service@icertifi.com.tw

==END==