

User Guide

M2US50NBT/M2SD50NBT

Version 1.0

REVISION HISTORY

Version	Date	Notes	Approver
1.0	22 Feb 2016	Initial Release	Andrew Chen

CONTENTS

Scope	4
M2US50NBT/M2SD50NBT Features Summary	4
Specifications.....	5
WLAN Functional Description.....	10
Overview.....	10
Bluetooth Functional Description.....	12
Electrical Characteristics.....	13
Absolute Maximum Ratings	13
Recommended Operating Conditions.....	13
DC Electrical Characteristics	13
WLAN Radio Receiver Characteristics	16
WLAN Transmitter Characteristics	17
Bluetooth Radio Characteristics	18
SDIO Timing Requirements.....	20
Pin Definitions	21
Mechanical Specifications	24
Mounting	24
Reference Schematic of M2US50NBT	26
RF Layout Design Guidelines/Precautions.....	27
Regulatory	27
Certified Antennas.....	27
FCC and IC Regulatory	28
FCC.....	28
Federal Communication Commission Interference Statement.....	28
End Product Labeling.....	29
Manual Information to the End User	29
Industry Canada.....	29
Industry Canada Statement.....	29
Antenna Information	30
Radiation Exposure Statement.....	31
Déclaration d'exposition aux radiations.....	31
End Product Labeling.....	32
Plaque signalétique du produit final	32
Manual Information to the End User	32
Manuel d'information à l'utilisateur final.....	32
European Union Regulatory	32
EU Declarations of Conformity.....	33
M2US50NBT/M2SD50NBT	33
Ordering Information	33
General Comments.....	33
Labeling Requirements.....	34

Scope

This document describes key hardware aspects of the Laird M2US50NBT/M2SD50NBT modules. This document is intended to assist device manufacturers and related parties with the integration of this radio into their host devices. Data in this document is drawn from a number of sources and includes information found in the Laird SSD50NBT which including Qualcomm Atheros (QCA) QCA6004 and Cambridge Silicon Radio Ltd. (CSR) CSR8811 A08 data sheet issued in July 2011, along with other documents provided from QCA and CSR.



This Laird 50-series module is currently in development stage and this document is preliminary. The information in this document is subject to change. Please contact Laird to obtain the most recent version of this document.

M2US50NBT/M2SD50NBT FEATURES SUMMARY

The Laird M2US50NBT/M2SD50NBT device features are described in [Table 1](#).

Table 1: M2US50NBT/M2SD50NBT features

Feature	Description
Radio Front End	Integrates the complete transmit/receive RF paths including baluns, coexistence band pass filter, diplexer, switches, power amplifier, low noise amplifier, and reference crystal oscillator.
Enhanced WLAN/BT Coexistence Algorithms	Enhanced important use cases including: <ul style="list-style-type: none"> ▪ PCM/I2S digital audio interface ▪ BT stereo audio (A2DP) ▪ BT data transfer profiles (such as OPP and FTP) ▪ BT2.1+EDR ▪ BT-LE Flexible radio architecture ensures simple customization for future use cases.
Power Management	Uses power-saving techniques including: <ul style="list-style-type: none"> ▪ Gating clocks to idle or inactive blocks ▪ Fast start and settling circuits to reduce Tx power ▪ Active duty cycles ▪ CPU frequency scaling
Pre-Calibration	RF system tested and calibrated in production.
Internal Sleep Clock	Integrated on-chip low power sleep clock to regulate internal timing.
Multiple Interface Support	<ul style="list-style-type: none"> ▪ M2SD50NBT – SDIO 2.0 (50 MHz, 4-bit and 1-bit) for WLAN ▪ M2US50NBT – USB for WLAN ▪ HS-UART and PCM for Bluetooth HCI (compatible with any upper layer Bluetooth stack)
Advanced 802.11n	<ul style="list-style-type: none"> ▪ Half Guard Interval and Frame Aggregation for high throughput ▪ Space Time Block Coding (STBC) Rx for improved downlink robustness over range ▪ Low Density Parity Check (LDPC) for improved uplink and downlink robustness over range
Reference Frequency	<ul style="list-style-type: none"> ▪ Incorporates a 26 MHz reference frequency source in package

Feature	Description
	<ul style="list-style-type: none"> ▪ Sleep regulated and gated to enable the internal crystal to be powered down when the device is in sleep mode ▪ BT shares the clock from the Wi-Fi chip. ▪ Wi-Fi cannot be turned off or put in reset state when running BT. ▪ 32.768 KHz slow clock is needed for BT to get into deep sleep mode.
Advanced WLAN	<p>Includes the following advanced WLAN features:</p> <ul style="list-style-type: none"> ▪ IEEE 802.11e QoS, Wi-Fi Alliance WMM Power Save, and 802.11n power saving compliance ▪ AES, AES-CCMP, TKIP engines for faster data encryption ▪ Cisco CCXv4 ASD, WPS support ▪ Standard WEP/WPA/WPA2 for personal and enterprise environments support ▪ WWR, 802.11d, 802.11h support ▪ Wi-Fi Direct (Peer-to-Peer) ▪ RTT for indoor positioning ▪ Statistics and events for monitoring ▪ Self-managed power state handling ▪ Self-contained beacon processing ▪ Shared authentication ▪ Ad-hoc power save ▪ Multiple PMK ID support ▪ Simulated UAPSD ▪ T-Spec support ▪ Production flow diagnostics ▪ 3-wire scheme for Wi-Fi and BT coexistence.
Advanced Bluetooth	<ul style="list-style-type: none"> ▪ High-speed UART port (up to 4 Mbps) ▪ HFP v1.6 wide-band speech supported on-chip ▪ On-chip encoding of SBC and aptX® codecs for A2DP music streaming ▪ PCM/I2S digital audio interface ▪ Support for IEEE 802.11 coexistence ▪ The flexible RAM/ROM based architecture enables custom or future profiles to be easily added

SPECIFICATIONS

Table 2: Specifications

Feature	Description
Physical Interface	<p>PCI Express NGFF card type 2230-S3-E (2230 = 22mm x 30 mm, S3 = single side, E = key ID)</p> <p>Note: The M2US50NBT and M2SD50NBT are type 2230-S3-E, but the top side component height is 2.5 mm max. The standard top side height for S3 is 1.5 mm max.</p> <p>Mating connector – (Kyocera) part number: 24-6411-067-101-897E Stand-off – (EMI STOP) part number: F50M16-041525P1D4M</p>
Wi-Fi Interface	<p>M2SD50NBT – 1-bit or 4-bit Secure Digital I/O M2US50NBT – USD 2.0</p>
Bluetooth Interface	<p>Host Controller Interface (HCI) using High Speed UART</p>
Main Chip	<p>Wi-Fi – Qualcomm Atheros QCA6004 BT – Cambridge Silicon Radio Ltd. (CSR) CSR8811 A08</p>




Feature	Description		
Input Voltage Requirements	3.3 VDC (3.20V min to 3.46V max)		
I/O Signalling Voltage	3.3 VDC ± 5% or 1.8 VDC ± 5%		
Average Current Consumption, VDDIO = 3.3 volts (At maximum transmit power setting) <i>Note: Standby refers to the radio operating in PM1 power saving mode.</i> <i>Note: MIMO measurements are generally higher than Single Stream.</i>	<table border="0"> <tr> <td style="vertical-align: top;"> Single Stream 802.11a (with BT in standby) @ 18 dBm 6 Mbps Transmit: 600 mA Receive: 260 mA Standby: 130 mA 802.11b (with BT in standby) @ 18 dBm 1 Mbps Transmit: 460 mA Receive: 250 mA Standby: 130 mA 802.11g (with BT in standby) @ 18 dBm 6 Mbps Transmit: 450 mA Receive: 250 mA Standby: 130 mA 802.11n (2.4 GHz) (with BT in standby) @ 14 dBm MCS7 Transmit: 340 mA Receive: 250 mA Standby: 130 mA 802.11n (5 GHz) (with BT in standby) @ 14 dBm MCS7 Transmit: 490 mA Receive: 260 mA Standby: 130 mA Bluetooth (with Wi-Fi in standby) Transmit: 85 mA Receive: 70 mA Standby: 130 mA </td> <td style="vertical-align: top; padding-left: 20px;"> MIMO 802.11a (with BT in standby) @ 18 dBm 6 Mbps Transmit: 900 mA Receive: 140 mA Standby: 130 mA 802.11b (with BT in standby) @ 18 dBm 1 Mbps Transmit: 680 mA Receive: 140 mA Standby: 130 mA 802.11g (with BT in standby) @ 18 dBm 6 Mbps Transmit: 710 mA Receive: 140 mA Standby: 130 mA 802.11n (2.4 GHz) (with BT in standby) @ 14 dBm MCS7 Transmit: 710 mA Receive: 140 mA Standby: 130 mA 802.11n (5 GHz) (with BT in standby) @ 14 dBm MCS7 Transmit: 720 mA Receive: 140 mA Standby: 130 mA Bluetooth (with Wi-Fi in standby) Transmit: 720 mA Receive: 140 mA Standby: 130 mA </td> </tr> </table>	Single Stream 802.11a (with BT in standby) @ 18 dBm 6 Mbps Transmit: 600 mA Receive: 260 mA Standby: 130 mA 802.11b (with BT in standby) @ 18 dBm 1 Mbps Transmit: 460 mA Receive: 250 mA Standby: 130 mA 802.11g (with BT in standby) @ 18 dBm 6 Mbps Transmit: 450 mA Receive: 250 mA Standby: 130 mA 802.11n (2.4 GHz) (with BT in standby) @ 14 dBm MCS7 Transmit: 340 mA Receive: 250 mA Standby: 130 mA 802.11n (5 GHz) (with BT in standby) @ 14 dBm MCS7 Transmit: 490 mA Receive: 260 mA Standby: 130 mA Bluetooth (with Wi-Fi in standby) Transmit: 85 mA Receive: 70 mA Standby: 130 mA	MIMO 802.11a (with BT in standby) @ 18 dBm 6 Mbps Transmit: 900 mA Receive: 140 mA Standby: 130 mA 802.11b (with BT in standby) @ 18 dBm 1 Mbps Transmit: 680 mA Receive: 140 mA Standby: 130 mA 802.11g (with BT in standby) @ 18 dBm 6 Mbps Transmit: 710 mA Receive: 140 mA Standby: 130 mA 802.11n (2.4 GHz) (with BT in standby) @ 14 dBm MCS7 Transmit: 710 mA Receive: 140 mA Standby: 130 mA 802.11n (5 GHz) (with BT in standby) @ 14 dBm MCS7 Transmit: 720 mA Receive: 140 mA Standby: 130 mA Bluetooth (with Wi-Fi in standby) Transmit: 720 mA Receive: 140 mA Standby: 130 mA
Single Stream 802.11a (with BT in standby) @ 18 dBm 6 Mbps Transmit: 600 mA Receive: 260 mA Standby: 130 mA 802.11b (with BT in standby) @ 18 dBm 1 Mbps Transmit: 460 mA Receive: 250 mA Standby: 130 mA 802.11g (with BT in standby) @ 18 dBm 6 Mbps Transmit: 450 mA Receive: 250 mA Standby: 130 mA 802.11n (2.4 GHz) (with BT in standby) @ 14 dBm MCS7 Transmit: 340 mA Receive: 250 mA Standby: 130 mA 802.11n (5 GHz) (with BT in standby) @ 14 dBm MCS7 Transmit: 490 mA Receive: 260 mA Standby: 130 mA Bluetooth (with Wi-Fi in standby) Transmit: 85 mA Receive: 70 mA Standby: 130 mA	MIMO 802.11a (with BT in standby) @ 18 dBm 6 Mbps Transmit: 900 mA Receive: 140 mA Standby: 130 mA 802.11b (with BT in standby) @ 18 dBm 1 Mbps Transmit: 680 mA Receive: 140 mA Standby: 130 mA 802.11g (with BT in standby) @ 18 dBm 6 Mbps Transmit: 710 mA Receive: 140 mA Standby: 130 mA 802.11n (2.4 GHz) (with BT in standby) @ 14 dBm MCS7 Transmit: 710 mA Receive: 140 mA Standby: 130 mA 802.11n (5 GHz) (with BT in standby) @ 14 dBm MCS7 Transmit: 720 mA Receive: 140 mA Standby: 130 mA Bluetooth (with Wi-Fi in standby) Transmit: 720 mA Receive: 140 mA Standby: 130 mA		
Operating Temperature	-30° to 85°C (-22° to 185°F)		
Operating Humidity	10 to 90% (non-condensing)		
Storage Temperature	-40° to 85°C (-40° to 185°F)		
Storage Humidity	10 to 90% (non-condensing)		
Maximum Electrostatic Discharge	Conductive 4KV; Air coupled 8KV EN61000-4-2		
Size	22 mm X 30 mm X 3.3 mm		
Weight	TBD		
Mounting	See the mounting and handling guide		
Wi-Fi Media	Direct Sequence-Spread Spectrum (DSSS) Complementary Code Keying (CCK) Orthogonal Frequency Divisional Multiplexing (OFDM)		

Feature	Description
Bluetooth Media	Frequency Hopping Spread Spectrum (FHSS)
Wi-Fi Media Access Protocol	Carrier sense multiple access with collision avoidance (CSMA/CA)
Network Architecture Types	Infrastructure and ad-hoc
Wi-Fi Standards	IEEE 802.11a, 802.11b, 802.11d, 802.11e, 802.11g, 802.11h, 802.11i, 802.11n, 802.11r
Bluetooth Standards	Bluetooth version 2.1 with Enhanced Data Rate Bluetooth 4.0 (Bluetooth Low Energy or BLE)
Wi-Fi Data Rates Supported	11a (OFDM) 6, 9, 12, 18, 24, 36, 48, 54 Mbps 802.11b (DSSS, CCK) 1, 2, 5.5, 11 Mbps 802.11g (OFDM) 6, 9, 12, 18, 24, 36, 48, 54 Mbps 802.11n (OFDM, MCS 0-15) Full Guard Interval: 6.5,13.0, 19.5, 26.0,39.0,52.0,58.5,65.0, 13.0,26.0,39.0, 52.0, 78.0,104.0,117.0 Mbps Short Guard Interval: 1.2,14.4,21.7,29.9,43.3,57.8,65.0,72.2, 14.4,28.9,43.3,57.8, 86.7,115.6,130.0,144.4 Mbps
Modulation	BPSK @ 1, 6,9, 6.5, 7.2,13 and 14.4 Mbps QPSK @ 2, 12, 18, 13, 14.4,19.5, 21.7, 26, 28.9, 39,43.3 Mbps CCK @ 5.5 and 11 Mbps 16-QAM @ 24, 36,26, 29.9,39,43.3,52,57.8,78,86.7 Mbps 64-QAM @ 48,54,52, 57.8, 58.5, 65,72.2,104.0,115.6,117.0,130.0,144.4 Mbps
802.11n Spatial Streams	2 (2x2 MIMO)
Bluetooth Data Rates Supported	1, 2, 3 Mbps
Bluetooth Modulation	GFSK@ 1 Mbps Pi/4-DQPSK@ 2 Mbps 8-DPSK@ 3 Mbps
Regulatory Domain Support	FCC (Americas, Parts of Asia, and Middle East) ETSI (Europe, Middle East, Africa, and Parts of Asia) IC (Industry Canada) MIC (Japan) (formerly TELEC) – Option KC (Korea) (formerly KCC) – Option
2.4 GHz Frequency Bands	ETSI: 2.4 GHz to 2.483 GHz FCC: 2.4 GHz to 2.473 GHz MIC: 2.4 GHz to 2.495 GHz KC: 2.4 GHz to 2.483 GHz
2.4 GHz Operating Channels (Wi-Fi)	ETSI: 13 (3 non-overlapping) FCC: 11 (3 non-overlapping) MIC: 14 (4 non-overlapping) KC: 13 (3 non-overlapping)

Feature	Description	
5 GHz Frequency Bands	ETSI 5.15 GHz to 5.35 GHz (Ch 36/40/44/48/52/56/60/64) 5.47 GHz to 5.725 GHz (Ch 100/104/108/112/116/120/124/128/132/136/140)	
	FCC 5.15 GHz to 5.35 GHz (Ch 36/40/44/48/52/56/60/64) 5.47 GHz to 5.725 GHz (Ch 100/104/108/112/116/120/124/128/132/136/140) 5.725 GHz to 5.825 GHz (Ch 149/153/157/161/165)	
	MIC (Japan) 5.15 GHz to 5.35 GHz (Ch 36/40/44/48/52/56/60/64) 5.47 GHz to 5.725 GHz (Ch 100/104/108/112/116/120/124/128/132/136/140)	
	KC 5.15 GHz to 5.35 GHz (Ch 36/40/44/48/52/56/60/64) 5.47 GHz to 5.725 GHz (Ch 100/104/108/112/116/120/124) 5.725 GHz to 5.825 GHz (Ch 149/153/157/161)	
	5 GHz Operating Channels (Wi-Fi)	ETSI: 19 non-overlapping FCC: 24 non-overlapping MIC: (Japan): 19 non-overlapping KC: 19 non-overlapping
	Transmit Power <i>Note: Transmit power on each channels varies according to individual country regulations. All values for lowest data rate is nominal, +/-2 dBm. Others are +/-2.5dBm.</i> <i>Note: HT40 – 40 Mhz-wide channels HT20 – 20 MHz-wide channels</i>	802.11a 6 Mbps 17 dBm 54 Mbps 14 dBm
		802.11b 1 Mbps 17 dBm 11 Mbps 17 dBm
		802.11g 6 Mbps 17 dBm 54 Mbps 14 dBm
		802.11n (2.4 GHz) 6.5 Mbps (MCS0) 17 dBm 65 Mbps (MCS7) 13 dBm
		802.11n (5 GHz) 6.5 Mbps (MCS0;HT20) 17 dBm 65 Mbps (MCS7;HT20) 13 dBm (MCS0;HT40) 14 dBm (MCS7; HT40) 11 dBm
Bluetooth 1 Mbps 6 dBm 2 Mbps 6 dBm 3 Mbps 3 dBm		

Feature	Description
Typical Receiver Sensitivity <i>Note: All values nominal, +/-3 dBm.</i>	802.11a: 6 Mbps -92 dBm 54 Mbps -74 dBm (PER <= 10%) 802.11b: 1 Mbps -94 dBm 11 Mbps -87 dBm (PER <= 10%) 802.11g: 6 Mbps -91 dBm 54 Mbps -74 dBm (PER <= 10%) 802.11n (2.4 GHz) MCS0 Mbps -91 dBm MCS7 Mbps -71 dBm 802.11n (5 GHz) MCS0 Mbps -92 dBm MCS7 Mbps -71 dBm Bluetooth: 1 Mbps -83 dBm (1DH1) 3 Mbps -75 dBm (3DH5) BLE -86 dBm
Operating Systems Supported	Windows Mobile 5.0, 6.0, 6.1, 6.5 Windows Embedded Compact (CE) 5.0, 6.0, 7.0, 2013 Windows 7, 8, 8.1 Linux 2.6.x, 3.x.x, 4.0.x kernel Android 4.1.2 (Jellybean) and forward
Security	Standards Wireless Equivalent Privacy (WEP) Wi-Fi Protected Access (WPA) IEEE 802.11i (WPA2) Encryption Wireless Equivalent Privacy (WEP, RC4 Algorithm) Temporal Key Integrity Protocol (TKIP, RC4 Algorithm) Advanced Encryption Standard (AES, Rijndael Algorithm) Encryption Key Provisioning Static (40-bit and 128-bit lengths) Pre-Shared (PSK) Dynamic 802.1X Extensible Authentication Protocol Types EAP-FAST PEAP-MSCHAPv2 EAP-TLS PEAP-TLS EAP-TTLS LEAP PEAP-GTC

Feature	Description
Compliance	ETSI Regulatory Domain EN 300 328 (Wi-Fi®) EN 300 328 v1.8.1 (BT 2.1) EN 301 489-1 EN 301 489-17 EN 301 893 EN 60950-1 EU 2002/95/EC (RoHS) FCC Regulatory Domain FCC 15.247 DTS – 802.11b/g (Wi-Fi) – 2.4 GHz FCC 15.407 UNII – 802.11a (Wi-Fi) – 5 GHz FCC 15.247 DSS – BT 2.1 Industry Canada RSS-247 – 802.11a/b/g/n (Wi-Fi) – 2.4 GHz, 5.8 GHz, 5.2 GHz, and 5.4 GHz RSS-247 – BT 2.1
Certifications	Wi-Fi Alliance 802.11a, 802.11b, 802.11g , 802.11n WPA Enterprise WPA2 Enterprise Cisco Compatible Extensions (Version 4) Bluetooth SIG Qualification
Warranty	Five Year Limited Lifetime

All specifications are subject to change without notice

WLAN FUNCTIONAL DESCRIPTION

Overview

The M2US50NBT/M2SD50NBT WLAN block is based on the Laird SSD50NBT SIP (System in Package). It is optimized for low-power embedded applications and is configured to operate in dual-band, two-stream (2x2 MIMO) mode. Its functionality includes:

- Improved throughput on the link due to frame aggregation, RIFS (reduced inter-frame spacing), and half-guard intervals.
- Support for STBC (space-time block coding) and LDPC (Low Density Parity Check) codes.
- Improved 11n performance due to features such as 11n frame aggregation (A-MPDU and A-MSDU) and low-overhead host-assisted buffering (RX A-MSDU and RX A-MPDU). These techniques can improve performance and efficiency of applications involving large bulk data transfers such as file transfers or high-resolution video streaming.

Other functionality includes the following:

Feature	Description
System Clocking (RTC Block)	<p>An RTC block controls the clocks and power going to other internal modules. Its inputs contain sleep requests from these modules and its outputs contain clock enable and power signals which are used to gate the clocks going to these modules. The RTC block also manages resets going to other modules with the device. The M2US50NBT/M2SD50NBT's clocking is grouped into two types: high-speed and low-speed.</p> <p><i>High Speed Clocking</i></p> <p>The reference 26 MHz clock source drives the PLL and RF synthesizer of Wi-Fi and Bluetooth. To minimize power consumption, the reference clock source is powered off in SLEEP, HOST_OFF, and OFF states.</p> <p><i>Low Speed Clocking</i></p> <p>These modules require an external sleep clock (32.768 KHz) source from host platform through pin-50 on the NFGG golden finger. It is used to place BT into deep sleep mode. For Wi-Fi only application, it is needed.</p> <p><i>Interface Clock</i></p> <p>The host interface clock represents another clock domain for the M2US50NBT/M2SD50NBT. This clock comes from the SDIO and is independent from the other internal clocks. It drives the host interface logic as well as certain registers which can be accessed by the host in HOST_OFF and SLEEP states.</p>
MAC/BB/RF Block	<p>The M2US50NBT/M2SD50NBT Wireless MAC consists of five major blocks:</p> <ul style="list-style-type: none"> ▪ Host interface unit (HIU) for bridging to the AHB for bulk data accesses and APB for register accesses ▪ Ten queue control units (QCU) for transferring TX data ▪ Ten DCF control units (DCU) for managing channel access ▪ Protocol control unit (PCU) for interfacing to baseband ▪ DMA receive unit (DRU) for transferring RX data
Baseband Block	<p>The M2US50NBT/M2SD50NBT baseband block (BB) is the physical layer controller for the 802.11b/g/n air interface.</p> <ul style="list-style-type: none"> ▪ It modulates data packets in the transmit direction ▪ Detects and demodulates data packets in the receive direction. ▪ It has a direct control interface to the radio to enable hardware to adjust analog gains and modes dynamically.
Clock Sharing	<ul style="list-style-type: none"> ▪ Clock sharing is implemented on the M2US50NBT/M2SD50NBT. The Bluetooth chip (CSR8811) receives a reference clock from the Wi-Fi chip (QCA6004). When Wi-Fi is in power off/reset state, Bluetooth is also off. ▪ External 32.768 KHz signal present on pin 50 allows the BT chip to go into deep sleep mode and consume lowest amount of power

BLUETOOTH FUNCTIONAL DESCRIPTION

The M2US50NBT/M2SD50NBT Bluetooth (BT) block is based on the CSR8811A08 and described in the [Table 3](#).

Table 3: Bluetooth functions

Feature	Description
HCI-UART Interface	The UART Interface is a standard high-speed UART interface. It operates up to 4 Mbps, supporting Bluetooth HCI UART interface.
PCM or I2S Interface	<ul style="list-style-type: none"> ▪ Continuous PCM encoded audio data transmission and reception over Bluetooth ▪ Processor overhead reduction through hardware support for continual transmission and reception of PCM data ▪ A bi-directional digital audio interface that routes directly into the baseband layer of the firmware. It does not pass through the HCI protocol layer ▪ Hardware on CSR8811 for sending data to and from a SCO connection ▪ Up to three SCO connections on the PCM interface at any one time ▪ PCM interface master, generating PCM_SYNC and PCM_CLK ▪ PCM interface slave, accepting externally generated PCM_SYNC and PCM_CLK. ▪ Various clock formats including: <ul style="list-style-type: none"> – *Long Frame Sync – *Short Frame Sync ▪ GCI timing environments ▪ 13-bit or 16-bit linear, 8-bit μ-law or A-law companded sample formats ▪ Receives and transmits on any selection of three of the first four slots following PCM_SYNC ▪ The PCM configuration options are enabled by setting SKEY_PCM_CONFIG32
CPU and Memory	<ul style="list-style-type: none"> ▪ Uses a 16-bit RISC MCU for low power consumption and efficient use of memory. The MCU, interrupt controller, and event timer run the Bluetooth software stack and control the Bluetooth radio and host interfaces. ▪ 56 KB of on-chip RAM is provided to support the RISC MCU and is shared between the ring buffers used to hold voice/data for each active connection and the general-purpose memory required by the Bluetooth stack. ▪ 5 Mb of Internal ROM memory is available on the CSR8811. This memory is provided for system firmware, storing CSR8811 settings and program code.
Build-in Standard WLAN Coexistence	The M2US50NBT/M2SD50NBT internally supports the standard WLAN coexistence interface through the WLAN_ACTIVE, BT_PRIORITY, and BT_ACTIVE pins.
Reference Clock	The BT block is configured for 26 MHz reference clock frequency. The clock source is provided to BT internally from the WLAN block on demand from BT_CLK_REQ. Note: <i>The WLAN block must be initialized prior before BT clock sharing is enabled.</i>
BT Low Energy	Supports Low Energy specification which allows for connections to devices with single mode LE function (such as a watch, sensor, and HID). The implementation is optimized for coexistence with WLAN.
BT_RFKILL	The NGFF pin-54 is connected to (BT_PWD_L) resets and powers down the BT block. Holding the pin-54 at Low state turns off the entire BT block; all state information is lost. To ensure a full reset, the reset signal should be asserted for a period greater than five milliseconds.

Feature	Description
Radio	<p>The BT radio shares the single antenna port with the WLAN through an internal three-way RF switch. The M2US50NBT/M2SD50NBT implements WLAN/BT coexistence internally.</p> <p>VDDIO is to set the I/O voltage internally with either 1.8 V or 3.3 V to ensure same voltage level for the internal Wi-Fi and BT coexistence signal. Refer to the reference design specifications for details.</p>

ELECTRICAL CHARACTERISTICS

Absolute Maximum Ratings

Table 4 summarizes the absolute maximum ratings and Table 5 lists the recommended operating conditions for the M2US50NBT/M2SD50NBT. Absolute maximum ratings are those values beyond which damage to the device can occur. Functional operation under these conditions, or at any other condition beyond those indicated in the operational sections of this document, is not recommended.

Note: Maximum rating for signals follows the supply domain of the signals.

Table 4: Absolute Maximum Ratings

Symbol (Domain)	Parameter	Max Rating	Unit
VDDIO	WLAN host SDIO interface and BT I/O supply	-0.3 to 3.6	V
VCC3_3	External 3.3V power supply	-0.3 to 3.6	V
Storage	Storage Temperature	-40 to +85	°C
ANT1; ANT2	Maximum RF input (reference to 50-Ω input)	+10	dBm
ESD	Electrostatic discharge tolerance	2000	V

Recommended Operating Conditions

Table 5: Recommended Operating Conditions

Symbol (Domain)	Parameter	Min	Typ	Max	Unit
VDDIO	WLAN host interface and BT I/O supply	1.71/3.2	1.8/3.3	1.89/3.46	V
VCC3_3	External 3.3V power supply	3.2	3.30	3.46	V
T-ambient	Ambient temperature	-30	25	85	°C

DC Electrical Characteristics

Table 6 and Table 7 list the general DC electrical characteristics over recommended operating conditions (unless otherwise specified).

Table 6: General DC Electrical Characteristics (For 3.3V I/O Operation)

Symbol	Parameter	Conditions	Min	Typ	Max	Unit
VIH	High Level Input Voltage		0.7 x VDD			V
VIL	Low Level Input Voltage		0.3 x VDD			V

Symbol	Parameter	Conditions	Min	Typ	Max	Unit
IIL	Input Leakage Current	Without Pull-up or Pull-down $0V < V_{IN} < V_{DD}$ $0V < V_{OUT} < V_{DD}$	0		-3	nA
		With Pull-up $0V < V_{IN} < V_{DD}$ $0V < V_{OUT} < V_{DD}$	16		48	μA
		With Pull-down $0V < V_{IN} < V_{DD}$ $0V < V_{OUT} < V_{DD}$	-14		-47	μA
VOH	High Level Output Voltage	$I_{OH} = -4mA$	$0.9 \times V_{DD}$			V
		$I_{OH} = -12mA$	$0.9 \times V_{DD}$			V
VOL	Low Level Output Voltage	$I_{OH} = 4mA$			$0.1 \times V_{DD}$	V
		$I_{OH} = 12mA$			$0.1 \times V_{DD}$	V

Table 7: General DC Electrical Characteristics (For 1.8V I/O Operation)

Symbol	Parameter	Conditions	Min	Typ	Max	Unit
VIH	High Level Input Voltage		$0.7 \times V_{DD}$			V
VIL	Low Level Input Voltage				$0.3 \times V_{DD}$	V
IIL	Input Leakage Current	Without Pull-up or Pull-down $0V < V_{IN} < V_{DD}$ $0V < V_{OUT} < V_{DD}$	0		-3	nA
		With Pull-up $0V < V_{IN} < V_{DD}$ $0V < V_{OUT} < V_{DD}$	3.5		13	μA
		With Pull-down $0V < V_{IN} < V_{DD}$ $0V < V_{OUT} < V_{DD}$	-6.2		-23	μA
VOH	High Level Output Voltage	$I_{OH} = -4mA$	$0.9 \times V_{DD}$			V
		$I_{OH} = -12mA$	$0.9 \times V_{DD}$			V
VOL	Low Level Output Voltage	$I_{OH} = 4mA$			$0.1 \times V_{DD}$	V
		$I_{OH} = 12mA$			$0.1 \times V_{DD}$	V

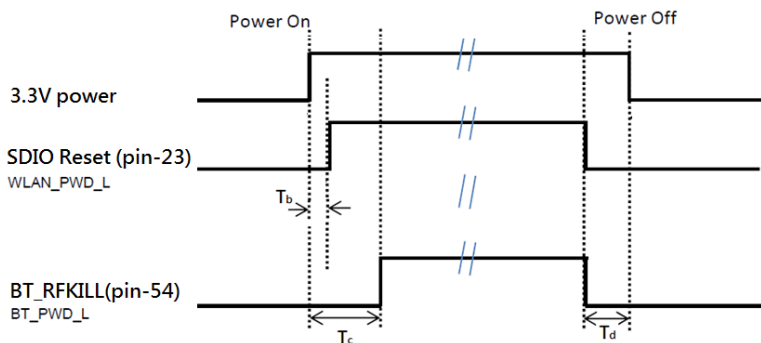


Figure 1: Power On/Off Timing

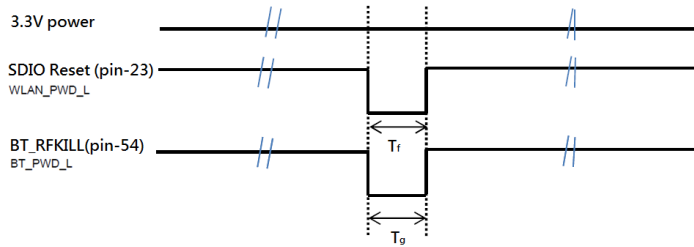


Figure 2: Reset Timing

Table 8: Timing Diagram Definitions

Timing	Description	Min	Unit
Tb	Time between VDD33 (3.3V) supplies valid, to SDIO reset (pin-56; WLAN_PWD_L) negation. Note: have suitable 10K ohm Pull-up on SDIO bus, already. No extra pull-up resistor is required.	5	µsec
Tc	Time between VDD33 (3.3V) supplies valid and BT_RFKILL (pin-54; BT_PWD_L) negation	5	msec
Td	Time between SDIO reset (pin-56; WLAN_PWD_L) negation and VDD33 (3.3V) invalid, or time between BT_RFKILL (pin-54; BT_PWD_L) negation and VDD33(3.3V) invalid.	0	µsec
Tf	Time of SDIO reset (pin-56; WLAN_PWD_L) assertion during reset or power down period. 3.3V should keep ON.	5	µsec
Tg	Time of BT_RFKILL (pin-54; BT_PWD_L) assertion during reset or power down period. 3.3V should keep ON.	5	msec

Important: There is 10K ohm pull high resistor already implemented on SD_D0, SD_D1, and SD_D3. No external pull-up is required for those three lines.

WLAN Radio Receiver Characteristics

Table 9 and Table 10 summarize the WLAN M2US50NBT/M2SD50NBT receiver characteristics.

Table 9: WLAN Receiver Characteristics for 2.4 GHz Signal Chain Operation

Symbol	Parameter	Conditions	Min	Typ	Max	Unit
Fr _x	Receive input frequency range		2.412		2.484	GHz
Srf	Sensitivity					
	CCK, 1 Mbps	See Note ³		-94		dBm
	CCK, 11 Mbps			-87		
	OFDM, 6 Mbps			-91		
	OFDM, 54 Mbps			-74		
	HT20, MCS0			-91		
	HT20, MCS7			-71		
Radj	Adjacent channel rejection					
	OFDM, 6 Mbps	See Note ⁴		32		dB
	OFDM, 54 Mbps			16		
	HT20, MCS0			31		
	HT20, MCS7			14		

³Performance data are measured under signal chain operation.

⁴Performance data are measured under signal chain operation.

Table 10: WLAN Receiver Characteristics for 5 GHz Dual Chain Operation

Symbol	Parameter	Conditions	Min	Typ	Max	Unit
Fr _x	Receive input frequency range		5.15		5.825	GHz
Srf	Sensitivity					
	OFDM, 6 Mbps	See Note ⁵		-92		dBm
	OFDM, 54 Mbps			-74		
	HT20, MCS0			-92		
	HT20, MCS7			-71		
	HT40, MCS0			-86		
	HT40, MCS7			-66		
Radj	Adjacent channel rejection					
	OFDM, 6 Mbps	See Note ⁶		22		dB
	OFDM, 54 Mbps			9		
	HT20, MCS0			20		
	HT20, MCS7			19		

⁵Performance data are measured under signal chain operation.

⁶Performance data are measured under signal chain operation.

WLAN Transmitter Characteristics

Table 11: WLAN Transmitter Characteristics for 2.4 GHz per Chain Operation

Symbol	Parameter	Conditions	Min	Typ	Max	Unit
Ftx	Transmit output frequency range		2.412		2.484	GHz
Pout	Output power	See Note ⁷				dBm
	11b mask compliant	1Mbps		17		
	11g mask compliant	6Mbps		17		
	11g EVM compliant	54Mbps		14		
	11n HT20 mask compliant	MCS0		17		
	11n HT20 EVM compliant	MCS7		13		
	11n HT20 EVM compliant	MCS15		13		
ATx	Transmit power accuracy at 17 dBm	-	-	+ 2.0		dB

Freq.	Mode/Rate (Mbps)	Output Power Per Chain (dBm)	Typical Current Consumption Single Chain (mA) ⁸	Max. Current Consumption Single Chain (mA) ⁸
2412MHz	1 Mbps	18dBm	420	560
	54 Mbps	15dBm	350	450
	HT20 MCS7	14dBm	340	420
2442MHz	1 Mbps	18dBm	420	560
	54 Mbps	15dBm	350	450
	HT20 MCS7	14dBm	340	420
2472MHz	1 Mbps	18dBm	420	560
	54 Mbps	15dBm	350	450
	HT20 MCS7	14dBm	340	420

Table 12: WLAN Transmitter Characteristics for 5 GHz Per Chain Operation

Symbol	Parameter	Conditions	Min	Typ	Max	Unit
Ftx	Transmit output frequency range		5.15		5.925	GHz
Pout	Output power	See Note ³				dBm
	11a mask compliant	6Mbps		17		
	11a EVM compliant	54Mbps		14		
	11n HT20 mask compliant	MCS0		17		
	11n HT20 EVM compliant	MCS7		13		
	11n HT20 EVM compliant	MCS15		13		
	11n HT40 mask compliant	MCS0		14		
	11n HT40 EVM compliant	MCS7		11		
	11n HT40 EVM compliant	MCS15		11		
ATx	Transmit power accuracy at 17dBm	-	-	+ 2.0		dB

Freq.	Mode/Rate [Mbps]	Output Power Per Chain [dBm]	Typical Current Consumption Single Chain (mA) ⁸	Max. Current Consumption Single Chain (mA) ⁸
5180MHz	54 Mbps	15dBm	490	590
	HT20 MCS7	14dBm	450	560
	HT40 MCS7	12dBm	470	540
5500MHz	54 Mbps	15dBm	490	590
	HT20 MCS7	14dBm	450	560
	HT40 MCS7	12dBm	470	540
5825MHz	54 Mbps	15dBm	490	590
	HT20 MCS7	14dBm	450	560
	HT40 MCS7	12dBm	470	540

⁷Performance data are measured under single chain operation.

Note: Final TX power values on each channel are limited by the regulatory certification test limit.

Note: 2.4 GHz does not support HT40 operation, only 5 GHz support HT40 operation.

BLUETOOTH RADIO CHARACTERISTICS

Table 13 through Table 14 describe the basic rate transmitter performance, enhanced data transmitter performance, basic rate receiver performance, enhanced rate receiver performance, and current consumption conditions at 25°C.

Table 13: Basic Rate Transmitter Performance Temperature at 25°C (3.3V)

Test Parameter	Min	Typ	Max	BT Spec.	Unit
Maximum RF Output Power	2	6	—	-6 to +10	dBm
Frequency Range	2.4	—	2.4835	$2.4 \leq f \leq 2.4835$	GHz
20 dB Bandwidth	—	925	—	≤ 1000	KHz
Adjacent Channel TX Power F = F0 + 2 MHz	—	-36	—	≤ -20	dBm
Adjacent Channel TX Power F = F0 + 3 MHz	—	-42	—	≤ -40	dBm
Δf_{1avg} Maximum Modulation	140	165	175	$140 < \Delta f_{1avg} < 175$	KHz
Δf_{2max} Minimum Modulation	—	135	—	≥ 115	KHz
$\Delta f_{2avg}/\Delta f_{1avg}$	—	0.9	—	≥ 0.80	—
Initial Carrier Frequency	—	5	—	$\leq \pm 75$	KHz
Drift Rate	—	5	—	≤ 20	KHz/50 μ s
Drift (DH1 packet)	—	6	—	≤ 25	KHz
Drift (DH5 packet)	—	7	—	≤ 40	KHz

Table 14: Enhanced Data Rate Transmitter Performance 25°C (3.3V)

Test Parameter		Min	Typ	Max	BT Spec.	Unit
Relative Transmit Power		-1	3	6	-4 to +1	dBm
Max Carrier Frequency Stability wo	$\pi/4$ DQPSK	—	1	—	$\leq \pm 10$	KHz
	8 DPSK	—	1	—		
Max Carrier Frequency Stability wi	$\pi/4$ DQPSK	—	1	—	$\leq \pm 75$	KHz
	8 DPSK	—	1	—		
Max Carrier Frequency Stability w0+wi	$\pi/4$ DQPSK	—	2	—	$\leq \pm 75$	KHz
	8 DPSK	—	1.5	—		
RMS DEVM	$\pi/4$ DQPSK	—	6	—	≤ 20	%
	8 DPSK	—	6	—	≤ 13	%
Peak DEVM	$\pi/4$ DQPSK	—	16	—	≤ 35	%
	8 DPSK	—	15	—	≤ 25	%
99% DEVM	$\pi/4$ DQPSK	—	12	—	≤ 30	%
	8 DPSK	—	12	—	≤ 20	%
EDR Differential Phase Encoding		—	99	—	≥ 99	%
Adjacent Channel Power	$F \geq \pm 3$ MHz	—	-60	—	< -40	dBm
	$F = \pm 2$ MHz	—	-28	—	≤ -20	dBm
	$F = \pm 1$ MHz	—	-32	—	≤ -26	dB

Table 15: Basic Rate Receiver Performance at 3.3V

Test Parameter		Min	Typ	Max	BT Spec.	Unit
Sensitivity	BER $\leq 0.1\%$	—	-84	-78	≤ -70	dBm
Maximum Input	BER $\leq 0.1\%$	-20	-10	—	≥ -20	dBm
Carrier-to-Interferer Ratio (C/I)	Co-Channel	—	—	11	11	
	Adjacent Channel (± 1 MHz)	—	-4/-2	0	0	dB
	Second Adjacent Channel (± 2 MHz)	—	-35/-28	-30	-30	dB
	Third Adjacent Channel (± 3 MHz)	—	-42	-40	-40	dB
Maximum Level of Intermodulation Interferers		-39	-30	-	≥ -39	dBm

Table 16: Enhanced Data Rate Receiver Performance 3.3V

Test Parameter		Min	Typ	Max	Bluetooth Specification	Unit
Sensitivity (BER ≤0.01%)	8 DPSK	—	-76	-71	≤ -70	dBm
Maximum Input (BER ≤0.1%)	π/4 DQPSK	-20	—	—	≥ -20	dBm
	8 DPSK	-20	—	—	≥ -20	dBm
Co-Channel C/I (BER ≤0.1%)	π/4 DQPSK	—	10	13	≤ ±13	dB
	8 DPSK	—	18	20	≤ ±20	dB
Adjacent Channel C/I (BER ≤ 0.1%)	π/4 DQPSK	—	-9/-6	0	≤ 0	dB
	8 DPSK	—	-3/0	5	≤ 5	dB
Second Adjacent Channel C/I (BER ≤ 0.1%)	π/4 DQPSK	—	-42/-28	-30	≤ -30	dB
	8 DPSK	—	-28/-22	-25	≤ -25	dB
Third Adjacent Channel C/I (BER ≤ 0.1%)	π/4 DQPSK	—	-45	-40	≤ -40	dB
	8 DPSK	—	-39	-33	≤ -33	dB

SDIO TIMING REQUIREMENTS

The following figure (Figure 3) and table display SDIO default mode timing.

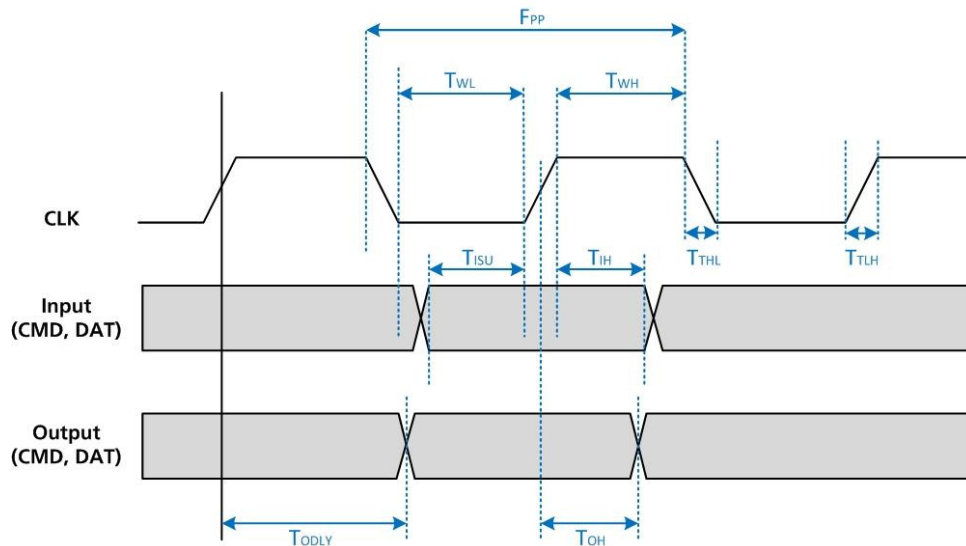


Figure 3: SDIO Default Mode Timing

Note: Timing is based on CL ≤ 40 pF load on CMD and Data.

Table 17: SDIO Timing Requirements

Symbol	Parameter	Min.	Typ.	Max.	Unit
fPP	Frequency – Data Transfer mode	0	-	50	MHz
tWL	Clock low time	7	-	-	ns
tWH	Clock high time	7	-	-	ns

Symbol	Parameter	Min.	Typ.	Max.	Unit
tTLH	Clock rise time	-	-	10	ns
tTHL	Clock low time	-	-	10	ns
Inputs: CMD, DAT (referenced to CLK)					
tISU	Input setup time	6	-	-	ns
tIH	Input hold time	2	-	-	ns
Outputs: CMD, DAT (referenced to CLK)					
tODLY	Output delay time – Data Transfer mode	0	-	14	ns

PIN DEFINITIONS

Pin #	Name	Type	Voltage Reference	Description	If Not Used
1	GND	-	-	Ground	GND
2	3.3Vaux	-	-	3.3V power supply	3.3V
3	USB D+	I/O	-	WLAN USB bus D+ Only used on M2US50NBT	NC
4	3.3Vaux	-	-	3.3V power supply	3.3V
5	USB D-	I/O	-	WLAN USB bus D- Only used on M2US50NBT	N/C
6	LED#1	-	-	Reserved for Wi-Fi LED indicator, Active High. Note: Not supported by current software.	N/C
7	GND	-	-	Ground	GND
8	BT_PCM_CLK	I/O	1.8V	BT PCM clock	N/C
9	SDIO_CLK	I	1.8V	WLAN SDIO clock Only used for M2SD50NBT.	N/C
10	BT_PCM_SYNC	I/O	1.8V	BT PCM Synchronous data	N/C
11	SDIO_CMD	I	1.8V	WLAN SDIO command data Only used on M2SD50NBT.	N/C
12	BT_PCM_OUT	O	1.8V	BT PCM synchronous data output	N/C
13	SDIO_DATA0	I/O	1.8V	WLAN SDIO Data0 Only used on M2SD50NBT.	N/C
14	BT_PCM_IN	I	1.8V	BT PCM synchronous data input	N/C
15	SDIO_DATA1	I/O	1.8V	WLAN SDIO Data1 Only used on M2SD50NBT.	N/C
16	LED#2	-	-	N/C	N/C
17	SDIO_DATA2	I/O	1.8V	WLAN SDIO Data2 (used on M2SD50NBT)	N/C
18	GND	-	-	Ground	Ground
19	SDIO_DATA3	I/O	1.8V	WLAN SDIO Data3 (used on M2SD50NBT)	N/C

Pin #	Name	Type	Voltage Reference	Description	If Not Used
20	BT_UART_WAKE	O	3.3V	Reserved for BT to wakeup Host. When BT wakes up from its deep sleep state, it sends an H pulse signal out to Host. Normally, it is Low state.	N/C
21	Wake on WLAN	O	1.8V	Reserved for Wake-ON-Wireless (WOW) LAN, WLAN output signal to wake up host, active Low and already has internal 10K pull up. Note: Not supported by current software.	N/C
22	BT_UART_TXD	O	1.8V	BT UART transmission data.	N/C
23	WLAN reset	I	1.8V	WLAN reset or power down; Active L Already has internal 10K pull-up. Hold this to L to power down the Wi-Fi chip.	N/C
24	Mechanical Key-E	-	-	-	-
25	Mechanical Key-E	-	-	-	-
26	Mechanical Key-E	-	-	-	-
27	Mechanical Key-E	-	-	-	-
28	Mechanical Key-E	-	-	-	-
29	Mechanical Key-E	-	-	-	-
30	Mechanical Key-E	-	-	-	-
31	Mechanical Key-E	-	-	-	-
32	BT_UART_RXD	I	1.8V	BT UART receives data.	N/C
33	GND	-	-	Ground	GND
34	BT_UART_RTS	O	1.8V	BT UART Ready to Send.	N/C
35	N/C	-	-	N/C	N/C
36	BT_UART_CTS	O	1.8V	BT UART Clear to Send.	N/C
37	N/C	-	-	N/C	N/C
38	N/C	-	-	N/C	N/C
39	GND	-	-	Ground	GND
40	N/C	-	-	N/C	N/C
41	N/C	-	-	N/C	N/C
42	N/C	-	-	N/C	N/C
43	N/C	-	-	N/C	N/C
44	LTE_COEX3	I	1.8V	Reserved for LTE coexistence Note: Not currently supported.	N/C
45	GND	-	-	Ground	GND
46	LTE_ACTIVE	I	1.8V	Reserved for LTE coexistence Note: Not currently supported.	N/C
47	N/C	-	-	N/C	N/C

Pin #	Name	Type	Voltage Reference	Description	If Not Used
48	LTE_FRAME_SYNC	I	1.8V	Reserved for LTE coexistence Note: Not currently supported.	N/C
49	N/C	-	-	N/C	N/C
50	CLK_32K	I	3.3V	32.768KHz slow clock input. Necessary to put BT into deep sleep mode.	N/C
51	GND	-	-	Ground	GND
52	N/C	-	-	N/C	N/C
53	N/C	-	-	N/C	N/C
54	BT_RFKILL	I	3.3V	Reset BT or to disable BT; Active L	N/C
55	N/C	-	-	N/C	N/C
56	WIFI_RFKILL	I	3.3V	Reserved for RF disable (RF Kill) feature. Active Low. Note: Not supported by current software.	N/C
57	GND	-	-	Ground	GND
58	N/C	-	-	N/C	N/C
59	N/C	-	-	N/C	N/C
60	N/C	-	-	N/C	N/C
61	N/C	-	-	N/C	N/C
62	N/C	-	-	N/C	N/C
63	GND	-	-	Ground	GND
64	N/C	-	-	N/C	N/C
65	N/C	-	-	N/C	N/C
66	N/C	-	-	N/C	N/C
67	N/C	-	-	N/C	N/C
78	N/C	-	-	N/C	N/C
69	GND	-	-	Ground	GND
70	N/C	-	-	N/C	N/C
71	N/C	-	-	N/C	N/C
72	3.3Vaux	-	-	3.3V power supply	3.3V
73	N/C	-	-	N/C	N/C
74	3.3Vaux	-	-	3.3V power supply	3.3V
75	GND	-	-	Ground	GND

MECHANICAL SPECIFICATIONS

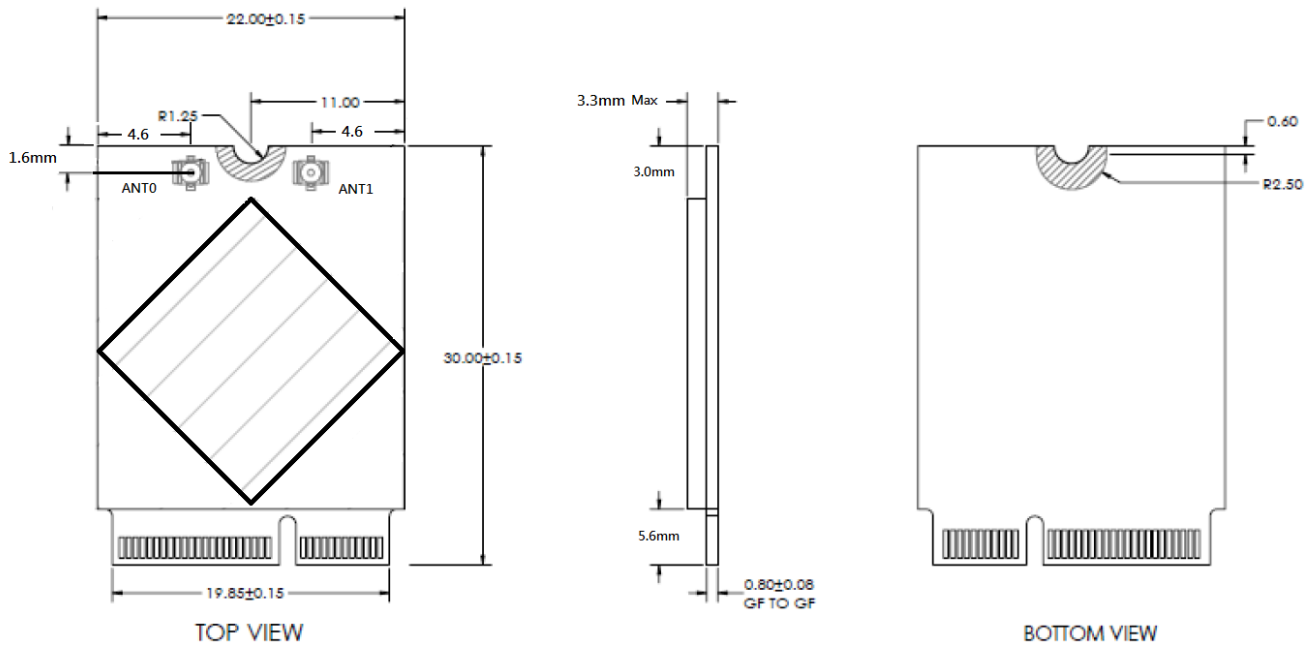


Figure 4: M.2 mechanical drawings

Note: The Wi-Fi MAC address is located on the product label. The BT MAC address is always be numerically subsequent to the Wi-Fi MAC address. Therefore, the BT MAC address is Wi-Fi MAC address plus one.

MOUNTING

The M2US50NBT/M2SD50NBT connects to the host via a standard PCI EXPRESS M2 connector.

Kyocera's (www.Kyocera-connector.com) 6411 series provide 1.8 mm, 2.3 mm and 3.2 mm connector heights.

M2US50NBT/M2SD50NBT is a signal-side component module; Laird recommends part number 24-6411-067-101-897E which has 2.3 mm connector height.

The stand-off mating to the recommend 2.3 mm connector from EMI STOP (www.EMISTOP.com) is part number F50M16-041525P1D4M. Detail layout and stencil opening are show in Figure 5.

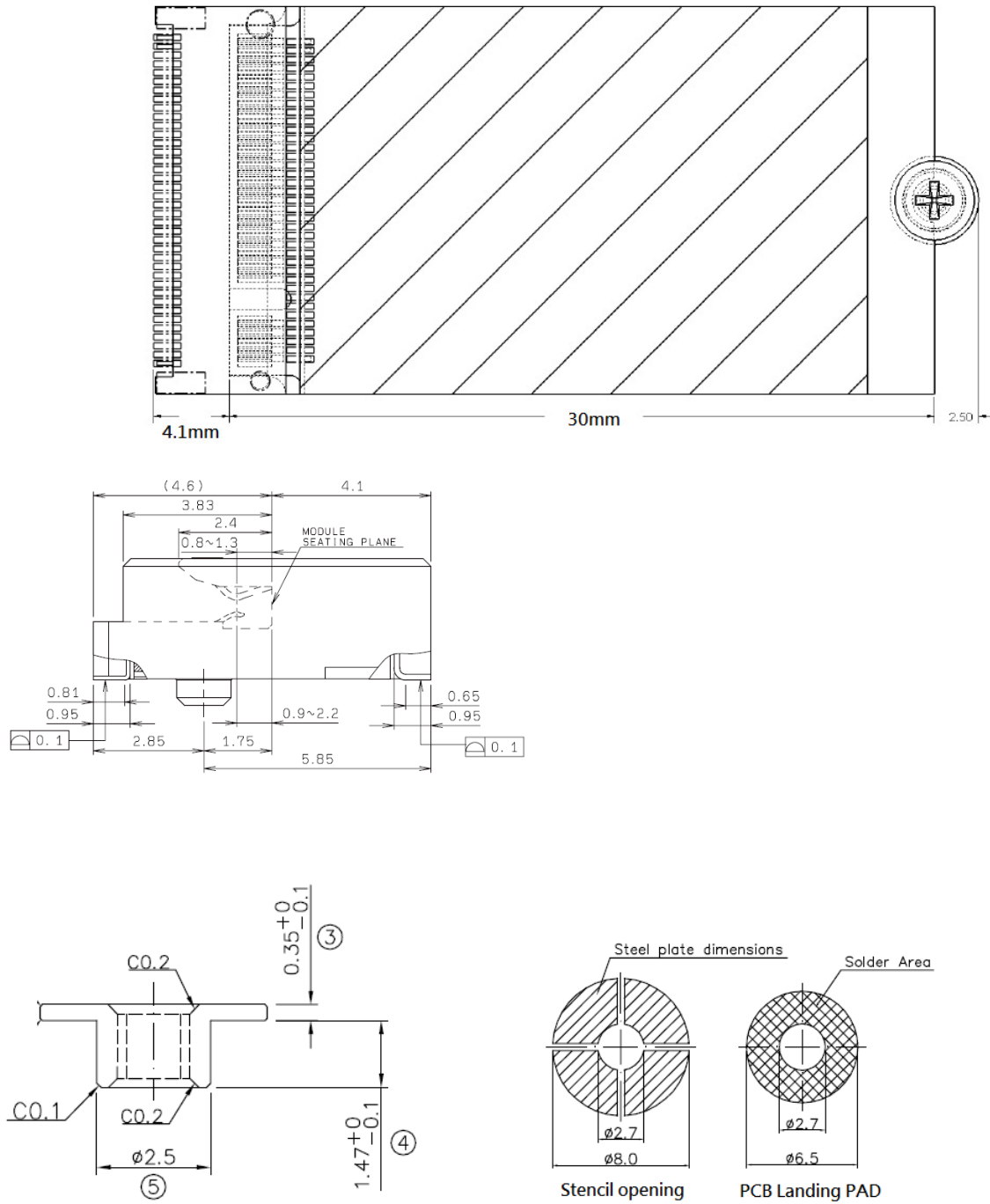
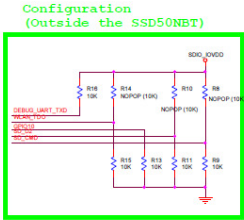
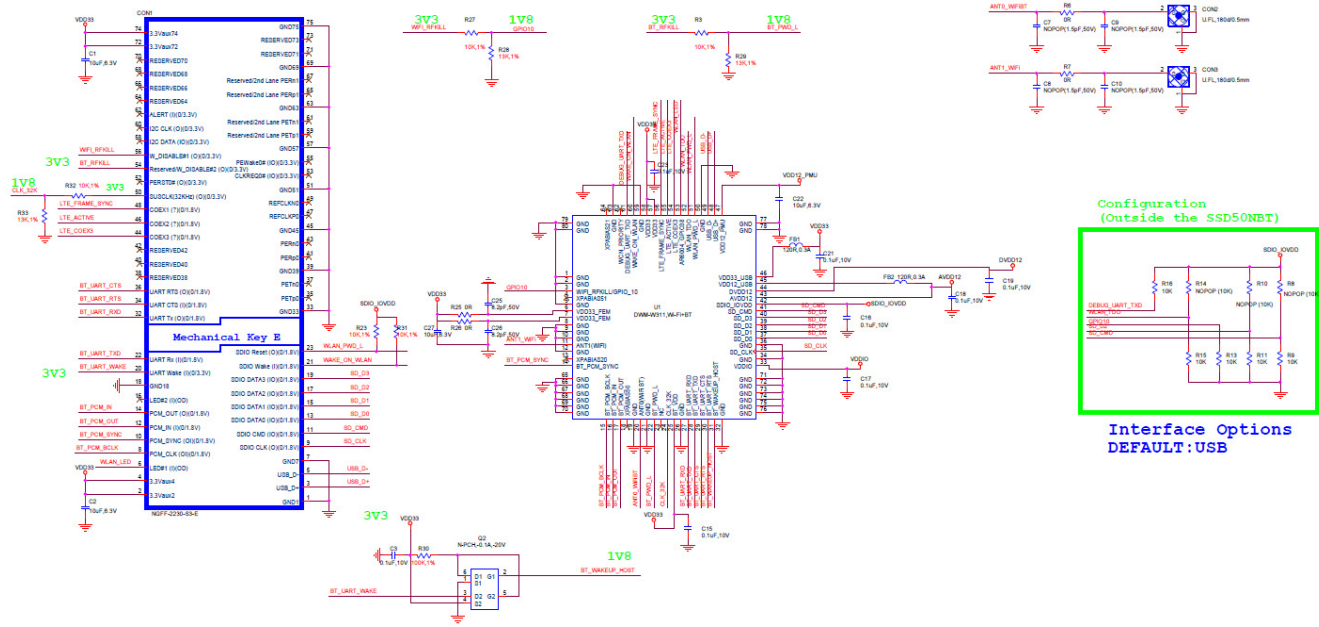
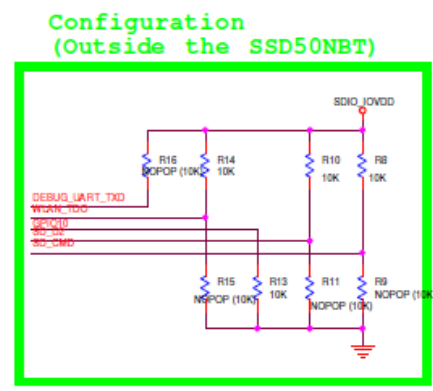
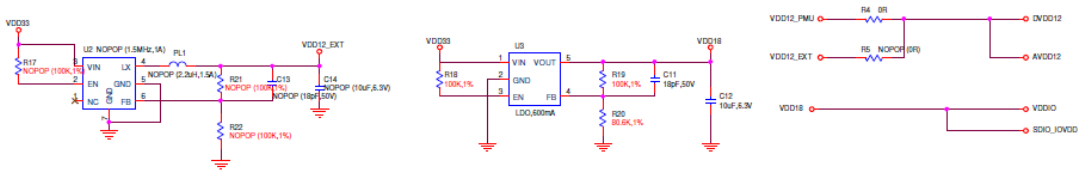


Figure 5: Mounting information for M2US50NBT/M2SD50NBT and recommended land pad for stand-off

REFERENCE SCHEMATIC OF M2US50NBT



Interface Options
DEFAULT:USB



PinName	SDIO2.0	USB2.0	HSIC	Notes
SD_CMD	1	0	0	
SD_D2	1	0	0	
SD_D1	1	1	1	Pull High to Avoid Booting into test modes
GPIO10	0	0	1	Pull low to Avoid leakage (SDIO only)
DEBUG_UART_TXD	X	1	1	No Connect at SDIO
WLAN_TDO	1	0	0	Pull high to Avoid leakage only SDIO

	SD_CMD	SD_D2	GPIO-10	WLAN_TDO	DEBUG_UART_TXD	R4/R5
M2US50NBT	L	L	L	L	H	0 Ω/NP
M2SD50NBT	H	H	L	H	X	NP/0 Ω

RF LAYOUT DESIGN GUIDELINES/PRECAUTIONS

The following is a list of RF layout design guidelines and recommendation when installing a Laird radio into your device.

- Do not run antenna cables directly above or directly below the radio.
- Do not place any parts or run any high speed digital lines below the radio.
- If there are other radios or transmitters located on the device (such as a Bluetooth radio), place the devices as far apart from each other as possible. Also, make sure there are at least 25dB isolation between Bluetooth antenna and Wi-Fi antenna.
- Laird recommends the use of a double shielded cable for the connection between the radio and the antenna elements.
- Be sure to put the capacitor on the power pin as close as possible to reduce the radiation issue.
- Use proper electro-static-discharge (ESD) procedures when installing the Laird radio module.
- In order to get maximum throughput when operate at MIMO 2x2, two antennas with at least 25dB isolation is recommended.
- To avoid negatively impacting TX power and receiver sensitivity, do not cover the antennas with metallic objects or components.
- Opening/handling/removing must be done on an anti-ESD treated workbench. All workers must also have undergone anti-ESD treatment.
- The devices should be mounted within one year of the date of delivery.

REGULATORY

Certified Antennas

Model	Type	Connector	2400~2483.5MHz	
			5150~5250MHz	5250~5350MHz
Laird MAF94051	Dipole	RP-SMA	2.1 dBi (2.4-2.5 GHz), 2.4 dBi (4.9 GHz)	2.6 dBi (5.25 GHz), 3.4 dBi (5.875 GHz)
Laird/NanoBlade-IP04	PCB Dipole	IPEX MHF	2 dBi (2.4-2.5 GHz), 3.9 dBi (5.15-5.35 GHz), 4 dBi (5.6 GHz)	
Laird/MAF95310 Mini Nano Blade Flex	PCB Dipole	IPEX MHF	2.79 dBi (2.4 GHz), 3.38 dBi (5 GHz)	
Laird/NanoBlue-IP04	PCB Dipole	IPEX MHF	2 dBi (2.4 GHz only)	
Ethertronics/WLAN_1000146	Isolated Magnetic Dipole	IPEX MHF	2.5 dBi (2.390-2.490 GHz), 3.5 dBi (4.900-5.100, 5.150-5.350, 5.70-5.900 GHz)	

FCC AND IC REGULATORY

Model	US/FCC	CANADA/IC
M2US50NBT	SQG-M2US50NBT	3147A-M2US50NBT
M2SD50NBT	SQG-M2SD50NBT	3147A-M2SD50NBT

The M2US50NBT/M2SD50NBT is designed to pass certification with the antenna listed below. The required antenna impedance is 50 ohms.

Model	Type	Connector	Peak gain (dBi)				
			2400~2483.5 MHz	5150~5250 MHz	5250~5350 MHz	5470~5725 MHz	5725~5850 MHz
Laird MAF94051	Dipole	RP-SMA	2.1 dBi	2.4 dBi	2.6 dBi	3.4 dBi	
Laird NanoBlade-IP04	PCB Dipole	IPEX MHF	2 dBi	3.9 dBi		4 dBi	
Laird MAF95310 Mini NanoBlade Flex	PCB Dipole	IPEX MHF	2.79 dBi	3.38 dBi			
Laird NanoBlue-IP04	PCB Dipole	IPEX MHF	2dBi	-			
Ethertronics WLAN_1000146	Isolated Magnetic Dipole	IPEX MHF	2.5dBi	3.5 dBi			

FCC

Federal Communication Commission Interference Statement

This equipment has been tested and found to comply with the limits for a Class B digital device, pursuant to Part 15 of the FCC Rules. These limits are designed to provide reasonable protection against harmful interference in a residential installation. This equipment generates, uses and can radiate radio frequency energy and, if not installed and used in accordance with the instructions, may cause harmful interference to radio communications. However, there is no guarantee that interference will not occur in a particular installation. If this equipment does cause harmful interference to radio or television reception, which can be determined by turning the equipment off and on, the user is encouraged to try to correct the interference by one of the following measures:

- Reorient or relocate the receiving antenna.
- Increase the separation between the equipment and receiver.
- Connect the equipment into an outlet on a circuit different from that to which the receiver is connected.
- Consult the dealer or an experienced radio/TV technician for help.

FCC Caution:

Any changes or modifications not expressly approved by the party responsible for compliance could void the user's authority to operate this equipment.

This device complies with Part 15 of the FCC Rules. Operation is subject to the following two conditions: (1) This device may not cause harmful interference, and (2) this device must accept any interference received, including interference that may cause undesired operation.

Important Note:

Radiation Exposure Statement

This equipment complies with FCC radiation exposure limits set forth for an uncontrolled environment. This equipment should be installed and operated with minimum distance 20cm between the radiator and your body. This transmitter must not be co-located or operating in conjunction with any other antenna or transmitter. Country Code selection feature to be disabled for products marketed to the US/Canada.

This device is intended only for OEM integrators under the following conditions:

1. The antenna must be installed such that 20 cm is maintained between the antenna and users, and
2. The transmitter module may not be co-located with any other transmitter or antenna,
3. For all products market in US, OEM has to limit the operation channels in CH1 to CH11 for 2.4G band by supplied firmware programming tool. OEM shall not supply any tool or info to the end-user regarding to Regulatory Domain change.

As long as the three conditions above are met, further **transmitter** testing will not be required. However, the OEM integrator is still responsible for testing their end-product for any additional compliance requirements required with this module installed.

Important Note:

In the event that these conditions **cannot be met** (for example certain laptop configurations or co-location with another transmitter), then the FCC authorization is no longer considered valid and the FCC ID **cannot** be used on the final product. In these circumstances, the OEM integrator will be responsible for re-evaluating the end product (including the transmitter) and obtaining a separate FCC authorization.

End Product Labeling

This transmitter module is authorized only for use in device where the antenna may be installed such that 20 cm may be maintained between the antenna and users. The final end product must be labeled in a visible area with the following for the M2US50NBT: **Contains FCC ID: SQG-M2US50NBT** and for the M2SD50NBT: **Contains FCC ID: SQG-M2SD50NBT**.

Manual Information to the End User

The OEM integrator has to be aware not to provide information to the end user regarding how to install or remove this RF module in the user's manual of the end product which integrates this module.

The end user manual shall include all required regulatory information/warning as show in this manual.

Industry Canada

Industry Canada Statement

This device complies with Industry Canada's license-exempt RSSs. Operation is subject to the following two conditions:

- This device may not cause interference; and
- This device must accept any interference, including interference that may cause undesired operation of the device.

Le présent appareil est conforme aux CNR d'Industrie Canada applicables aux appareils radio exempts de licence. L'exploitation est autorisée aux deux conditions suivantes:

- l'appareil ne doit pas produire de brouillage;
- l'utilisateur de l'appareil doit accepter tout brouillage radioélectrique subi, même si le brouillage est susceptible d'en compromettre le fonctionnement.

This radio transmitter (M2US50NB – IC: **3147A-M2US50NB** / M2US50NB – IC: **3147A-M2SD50NB**) has been approved by *Industry Canada* to operate with the antenna types listed below with the maximum permissible gain indicated. Antenna types not included in this list, having a gain greater than the maximum gain indicated for that type, are strictly prohibited for use with this device.

Le présent émetteur radio (M2US50NB – IC: **3147A-M2US50NB** / M2US50NB – IC: **3147A-M2SD50NB**) a été approuvé par Industrie Canada pour fonctionner avec les types d'antenne énumérés ci-dessous et ayant un gain admissible maximal. Les types d'antenne non inclus dans cette liste, et dont le gain est supérieur au gain maximal indiqué, sont strictement interdits pour l'exploitation de l'émetteur.

Antenna Information

Model	Type	Connector	Peak gain (dBi)				
			2400~2483.5 MHz	5150~5250 MHz	5250~5350 MHz	5470~5725 MHz	5725~5850 MHz
Laird MAF94051	Dipole	RP-SMA	2.1 dBi	2.4 dBi	2.6 dBi	3.4 dBi	
Laird NanoBlade-IP04	PCB Dipole	IPEX MHF	2 dBi	3.9 dBi		4 dBi	
Laird MAF95310 Mini NanoBlade Flex	PCB Dipole	IPEX MHF	2.79 dBi	3.38 dBi			
Laird NanoBlue-IP04	PCB Dipole	IPEX MHF	2dBi	–			
Ethertronics WLAN_1000146	Isolated Magnetic Dipole	IPEX MHF	2.5dBi	3.5 dBi			

Caution:

(i) The device for operation in the band 5150–5250 MHz is only for indoor use to reduce the potential for harmful interference to co-channel mobile satellite systems;

(ii) For devices with detachable antenna(s), the maximum antenna gain permitted for devices in the bands 5250-5350 MHz and 5470-5725 MHz shall be such that the equipment still complies with the EIRP limit;

(iii) For devices with detachable antenna(s), the maximum antenna gain permitted for devices in the band 5725-5850 MHz shall be such that the equipment still complies with the EIRP limits specified for point-to-point and non-point-to-point operation as appropriate; and

Operations in the 5.25-5.35GHz band are restricted to indoor usage only.

Avertissement:

(i) les dispositifs fonctionnant dans la bande de 5150 à 5250MHz sont réservés uniquement pour une utilisation à l'intérieur afin de réduire les risques de brouillage préjudiciable aux systèmes de satellites mobiles utilisant les mêmes canaux;

(ii) pour les dispositifs munis d'antennes amovibles, le gain maximal d'antenne permis pour les dispositifs utilisant les bandes de 5250 à 5350MHz et de 5470 à 5725 MHz doit être conforme à la limite de la p.i.r.e.;

(iii) pour les dispositifs munis d'antennes amovibles, le gain maximal d'antenne permis (pour les dispositifs utilisant la bande de 5725 à 5850 MHz) doit être conforme à la limite de la p.i.r.e. spécifiée pour l'exploitation point à point et l'exploitation non point à point, selon le cas;

Les opérations dans la bande de 5.25-5.35GHz sont limités à un usage intérieur seulement.

Radiation Exposure Statement

This equipment complies with Canada radiation exposure limits set forth for an uncontrolled environment. This equipment should be installed and operated with minimum distance 20cm between the radiator & your body.

Déclaration d'exposition aux radiations

Cet équipement est conforme Canada limites d'exposition aux radiations dans un environnement non contrôlé. Cet équipement doit être installé et utilisé à distance minimum de 20cm entre le radiateur et votre corps.

This device is intended only for OEM integrators under the following condition:

- The transmitter module may not be co-located with any other transmitter or antenna.

As long as the condition above is met, further transmitter test will not be required. However, the OEM integrator is still responsible for testing their end-product for any additional compliance requirements required with this module installed.

Cet appareil est conçu uniquement pour les intégrateurs OEM dans les conditions suivantes:

- Le module émetteur peut ne pas être coïmplanté avec un autre émetteur ou antenne.

Tant que les 1 condition ci-dessus sont remplies, des essais supplémentaires sur l'émetteur ne seront pas nécessaires. Toutefois, l'intégrateur OEM est toujours responsable des essais sur son produit final pour toutes exigences de conformité supplémentaires requis pour ce module installé.

Important Note:

In the event that these conditions cannot be met (for example certain laptop configurations or co-location with another transmitter), then the Canada authorization is no longer considered valid and the IC ID cannot be used on the final product. In these circumstances, the OEM integrator will be responsible for re-evaluating the end product (including the transmitter) and obtaining a separate Canada authorization.

Note Importante:

Dans le cas où ces conditions ne peuvent être satisfaites (par exemple pour certaines configurations d'ordinateur portable ou de certaines co-localisation avec un autre émetteur), l'autorisation du Canada n'est plus considéré comme valide et l'ID IC ne peut pas être utilisé sur le produit final. Dans ces circonstances,

l'intégrateur OEM sera chargé de réévaluer le produit final (y compris l'émetteur) et l'obtention d'une autorisation distincte au Canada.

End Product Labeling

The final end product must be labeled in a visible area with the following for the M2US50NBT: **Contains IC: 3147A-M2US50NBT** and for the M2SD50NBT: **Contains IC: 3147A-M2SD50NBT**.

Plaque signalétique du produit final

Le produit final doit être étiqueté dans un endroit visible avec l'inscription suivante: M2US50NBT – **Contient des IC: 3147A-M2US50NBT**; M2SD50NBT – **Contient des IC: 3147A-M2SD50NBT**.

Manual Information to the End User

The OEM integrator has to be aware not to provide information to the end user regarding how to install or remove this RF module in the user's manual of the end product which integrates this module.

The end user manual shall include all required regulatory information/warning as show in this manual.

Manuel d'information à l'utilisateur final

L'intégrateur OEM doit être conscient de ne pas fournir des informations à l'utilisateur final quant à la façon d'installer ou de supprimer ce module RF dans le manuel de l'utilisateur du produit final qui intègre ce module.

Le manuel de l'utilisateur final doit inclure toutes les informations réglementaires requises et avertissements comme indiqué dans ce manuel.

EUROPEAN UNION REGULATORY

The M2US50NBT/M2SD50NBT has been tested for compliance with relevant standards for the EU market. M2US50NBT/M2SD50NBT module was tested with antennas listed below.

Model	Type	Connector	2400~2483.5MHz	
			5150~5250MHz	5250~5350MHz 5470~5725MHz 5725~5850MHz
Laird MAF94051	Dipole	RP-SMA	2.1 dBi (2.4-2.5 GHz), 2.4 dBi (4.9 GHz) 2.6 dBi (5.25 GHz), 3.4 dBi (5.875 GHz)	
Laird/NanoBlade-IP04	PCB Dipole	IPEX MHF	2 dBi (2.4-2.5 GHz), 3.9 dBi (5.15-5.35 GHz), 4 dBi (5.6 GHz)	
Laird/MAF95310 Mini Nano Blade Flex	PCB Dipole	IPEX MHF	2.79 dBi (2.4 GHz), 3.38 dBi (5 GHz)	
Laird/NanoBlue-IP04	PCB Dipole	IPEX MHF	2 dBi (2.4 GHz only)	
Ethertronics/WLAN_1000146	Isolated Magnetic Dipole	IPEX MHF	2.5 dBi (2.390-2.490 GHz), 3.5 dBi (4.900-5.100, 5.150-5.350, 5.70-5.900 GHz)	

The OEM should consult with a qualified test house before entering their device into an EU member country to make sure all regulatory requirements have been met for their complete device.

Reference the Declaration of Conformities listed below for a full list of the standards that the modules were tested to. Test reports are available upon request.

EU DECLARATIONS OF CONFORMITY

M2US50NBT/M2SD50NBT

Manufacturer:	Laird
Product:	M2US50NBT/M2SD50NBT
EU Directive:	RTTE 1995/5/EC
Conformity Assessment:	Annex IV

Reference standards used for presumption of conformity:


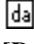
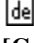
Article Number	Requirement	Reference standard(s)
3.1a	Health and Safety	EN60950-1:2006+A11:2009+A1:2010+A12:2011
3.1b	Protection requirements with respect to electromagnetic compatibility	EN 301 489-1 V1.9.2 (2011-09) EN 301 489-17 V2.2.1 (2012-09) Emissions: EN55022:2006/A1:2007 (Class B) Immunity: EN61000-4-2:2009 EN61000-4-3:2006/A1:2008/A2:2010
3.2	Means of the efficient use of the radio frequency spectrum	EN 300 328 V1.8.1 (2012-06) EN 301 893 v1.8.1

ORDERING INFORMATION

Part Number	Description
M2US50NBT	2X2 802.11 a/b/g/n with BT4.0 dual mode module. WLAN run at USB bus. BT run at UART/PCM
M2SD50NBT	2X2 802.11 a/b/g/n with BT4.0 dual mode module. WLAN run at SDIO bus. BT run at UART/PCM

General Comments

This is a preliminary datasheet. Please check with Laird for the latest information before commencing a design. If in doubt, ask.

 Česky [Czech]	<i>[Jméno výrobce]</i> tímto prohlašuje, že tento <i>[typ zařízení]</i> je ve shodě se základními požadavky a dalšími příslušnými ustanoveními směrnice 1999/5/ES.
 Dansk [Danish]	Undertegnede <i>[fabrikantens navn]</i> erklærer herved, at følgende udstyr <i>[udstyrets typebetegnelse]</i> overholder de væsentlige krav og øvrige relevante krav i direktiv 1999/5/EF.
 Deutsch [German]	Hiermit erkläre <i>[Name des Herstellers]</i> , dass sich das Gerät <i>[Gerätetyp]</i> in Übereinstimmung mit den grundlegenden Anforderungen und den übrigen einschlägigen Bestimmungen der Richtlinie 1999/5/EG befindet.

[et] Eesti [Estonian]	Käesolevaga kinnitab [<i>tootja nimi = name of manufacturer</i>] seadme [<i>seadme tüüp = type of equipment</i>] vastavust direktiivi 1999/5/EÜ põhinõuetele ja nimetatud direktiivist tulenevatele teistele asjakohastele sätetele.
[en] English	Hereby, [<i>name of manufacturer</i>], declares that this [<i>type of equipment</i>] is in compliance with the essential requirements and other relevant provisions of Directive 1999/5/EC.
[es] Español [Spanish]	Por medio de la presente [<i>nombre del fabricante</i>] declara que el [<i>clase de equipo</i>] cumple con los requisitos esenciales y cualesquiera otras disposiciones aplicables o exigibles de la Directiva 1999/5/CE.
[el] Ελληνική [Greek]	ΜΕ ΤΗΝ ΠΑΡΟΥΣΑ [<i>name of manufacturer</i>] ΔΗΛΩΝΕΙ ΟΤΙ [<i>type of equipment</i>] ΣΥΜΜΟΡΦΩΝΕΤΑΙ ΠΡΟΣ ΤΙΣ ΟΥΣΙΩΔΕΙΣ ΑΠΑΙΤΗΣΕΙΣ ΚΑΙ ΤΙΣ ΛΟΙΠΕΣ ΣΧΕΤΙΚΕΣ ΔΙΑΤΑΞΕΙΣ ΤΗΣ ΟΔΗΓΙΑΣ 1999/5/ΕΚ.
[fr] Français [French]	Par la présente [<i>nom du fabricant</i>] déclare que l'appareil [<i>type d'appareil</i>] est conforme aux exigences essentielles et aux autres dispositions pertinentes de la directive 1999/5/CE.
[it] Italiano [Italian]	Con la presente [<i>nome del costruttore</i>] dichiara che questo [<i>tipo di apparecchio</i>] è conforme ai requisiti essenziali ed alle altre disposizioni pertinenti stabilite dalla direttiva 1999/5/CE.
Latviski [Latvian]	Aršo [<i>name of manufacturer /izgataivotājanosaukums</i>] deklarē, ka [<i>type of equipment / iekārtas tips</i>] atbilst Direktīvas 1999/5/EK būtiskajām prasībām un citiemar to saistītajiem noteikumiem.
Lietuvių [Lithuanian]	Šiuo [<i>manufacturer name</i>] deklaruoja, kad šis [<i>equipment type</i>] atitinka esminius reikalavimus ir kitas 1999/5/EB Direktyvos nuostatas.
[nl] Nederlands [Dutch]	Hierbij verklaart [<i>naam van de fabrikant</i>] dat het toestel [<i>type van toestel</i>] in overeenstemming is met de essentiële eisen en de andere relevante bepalingen van richtlijn 1999/5/EG.
[mt] Malti [Maltese]	Hawnhekk, [<i>isem tal-manifattur</i>], jiddikjara li dan [<i>il-mudal tal-prodott</i>] jikkonforma mal-htigijiet essenzjali u ma provvedimenti oħrajn relevanti li hemm fid-Dirrettiva 1999/5/EC.
[hu] Magyar [Hungarian]	Alulírott, [<i>gyártó neve</i>] nyilatkozom, hogy a [<i>... típus</i>] megfelel a vonatkozó alapvető követelményeknek és az 1999/5/EC irányelv egyéb előírásainak.
[pl] Polski [Polish]	Niniejszym [<i>nazwa producenta</i>] oświadczam, że [<i>nazwa wyrobu</i>] jest zgodny z zasadniczymi wymogami oraz pozostałymi stosownymi postanowieniami Dyrektywy 1999/5/EC.
[pt] Português [Portuguese]	[<i>Nome do fabricante</i>] declara que este [<i>tipo de equipamento</i>] está conforme com os requisitos essenciais e outras disposições da Directiva 1999/5/CE.
[sl] Slovensko [Slovenian]	[<i>Ime proizvajalca</i>] izjavlja, da je ta [<i>tip opreme</i>] v skladu z bistvenimi zahtevami in ostalimi relevantnimi določili direktive 1999/5/ES.
Slovensky [Slovak]	[<i>Menovýrobcu</i>] týmto vyhlasuje, že [<i>typzariadenia</i>] spĺňa základné požiadavky a všetky príslušné ustanovenia Smernice 1999/5/ES.
[fi] Suomi [Finnish]	[<i>Valmistaja = manufacturer</i>] vakuuttaa täten että [<i>type of equipment = laitteen tyyppimerkintä</i>] tyypinen laite on direktiivin 1999/5/EY oleellisten vaatimusten ja sitä koskevien direktiivin muiden ehtojen mukainen.
[sv] Svenska [Swedish]	Härmed intygar [<i>företag</i>] att denna [<i>utrustningstyp</i>] står i överensstämmelse med de väsentliga egenskapskrav och övriga relevanta bestämmelser som framgår av direktiv 1999/5/EG.

Labeling Requirements

The final end product must be labeled in a visible area with the following notice:

