

**Confidential Property of  
Jetta Company Ltd.**

<b>Drawn By:</b>	Zhang Xin Hua	<b>Title</b> *		<i>Jetta (China) Co. Ltd.</i>
<b>Checked By:</b>	Zhou Hong Song	Size: A4	Number: 01001	Revision: 01
<b>Approved By:</b>		Date: 7-Jun-2010	Time: 14:30:25	Sheet 0 of 0
		File: E:\Work\2.4G\2.4_PCB\2.4G.Ddb - Documents\COPY of 01001+003+0020 REV01.sch		Opposite PCB : 0020-01-00
Error: JETTA0.bmp file not found.				

6

5

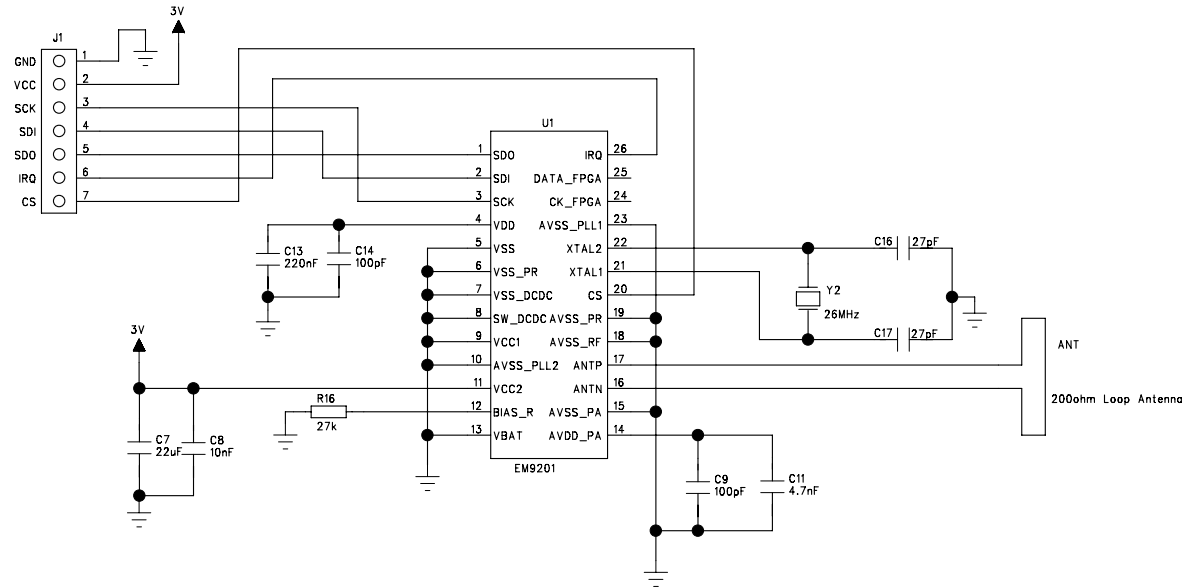
4

3

2

1

REVISION RECORD			
LTR	ECO NO:	APPROVED:	DATE:
A1	Version 2(no DC/DC)	Herry	2010-04-01



D

C

B

A

D

C

B

A

COMPANY:				<b>C-MAX</b>			
TITLE:				<b>EM9201 V1.4</b>			
DRAWN:	DATED:	CODE:	SIZE:	DRAWING NO:	REV:		
CHECKED:	DATED:					<b>A1</b>	
QUALITY CONTROL:	DATED:						
RELEASED:	DATED:						
SCALE:						SHEET: 1 OF 1	