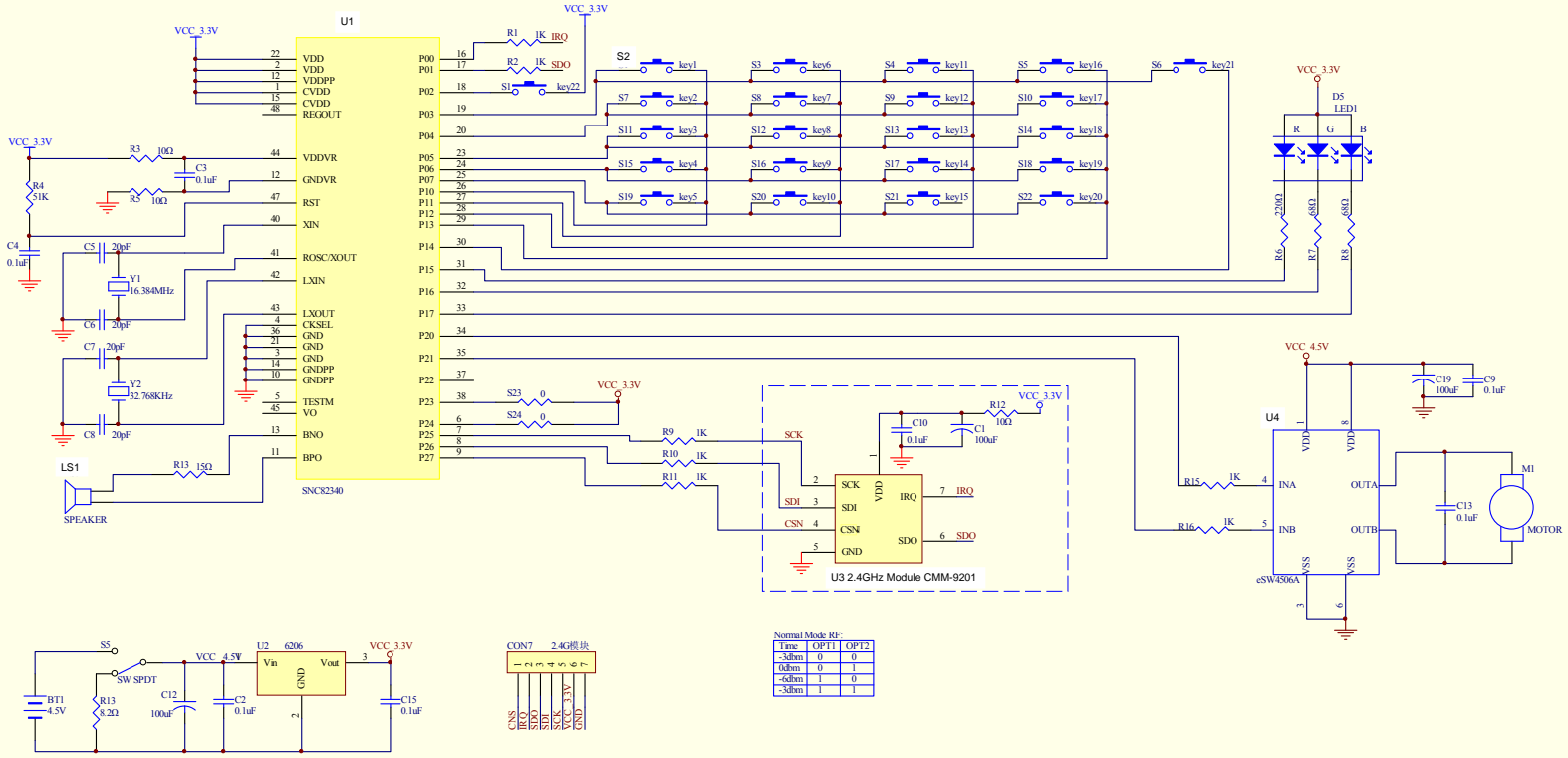
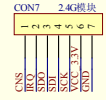


REV.	MODIFIED DESCRIPTION	BY: / DATE	APR. / DATE
	INITAL RELEASE		



Normal Mode RF:

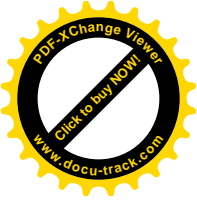
Time	OPT1	OPT2
-38nm	0	0
0nm	0	1
-68nm	1	0
-38nm	1	1



Note:
 1.All resistor values are indicated in "ohm" (1K=1000ohm),unless otherwise noted.
 2.All capacitance values are indicated in "uF",inductance in "uH",unless otherwise noted.

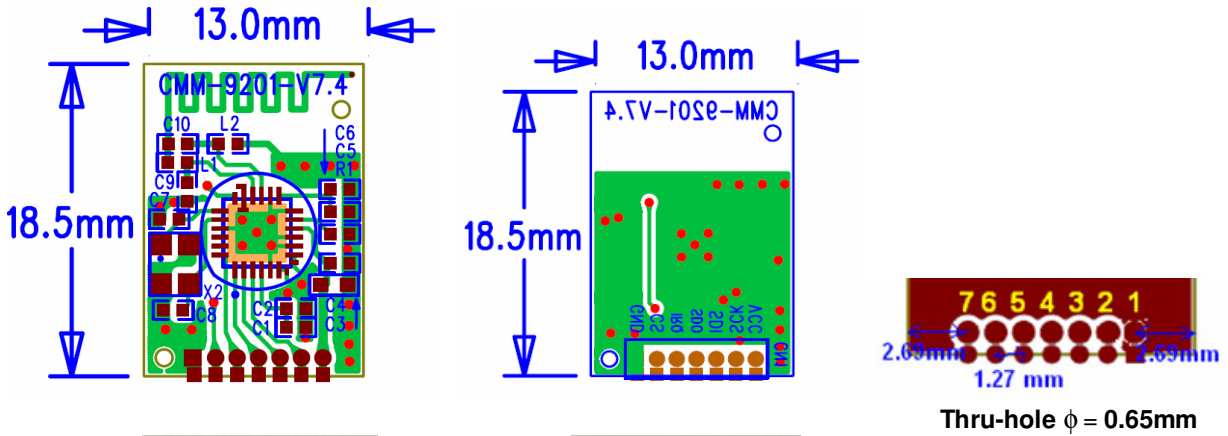
FORWARD WINSOME IND. LTD.

PROJECT NO: H2405	COMPONENT NO: H2405*02010	DRN BY: ZJ Yang	DATE: 5/14/2014
PROJECT NAME: H2405	COMPONENT NAME: H2405 SCHEMATIC	CKD BY: WJ Lai	DATE: 5/14/2014
PROJECTION: 	SCALE: 1:1	UNIT: mm	MAT MAT
DWG NO: ENG-SCH2405-01	REV: 1.0	APVD BY: WJ Lai	DATE: 5/14/2014
		SHEET NO: 1 of 1	



CMM-9201/9203-V7.4 Mini 2.4GHz Transceiver Module

C-MAX



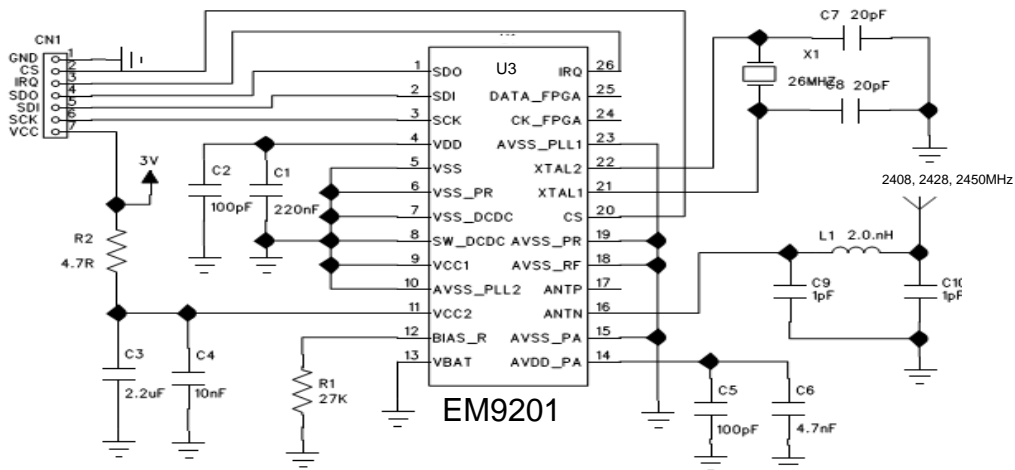
FRONT



BACK

Module thickness: 2.2mm max (SMT crystal)

1.3 Module Reference Circuit diagram



SPEC No.	Revision	State	C-MAX printed	Version	Page
CMM9201/03-V7.4 2.4GHz Transceiver module	1.2	2014-01-09	2014-01-09	English	2 of 3