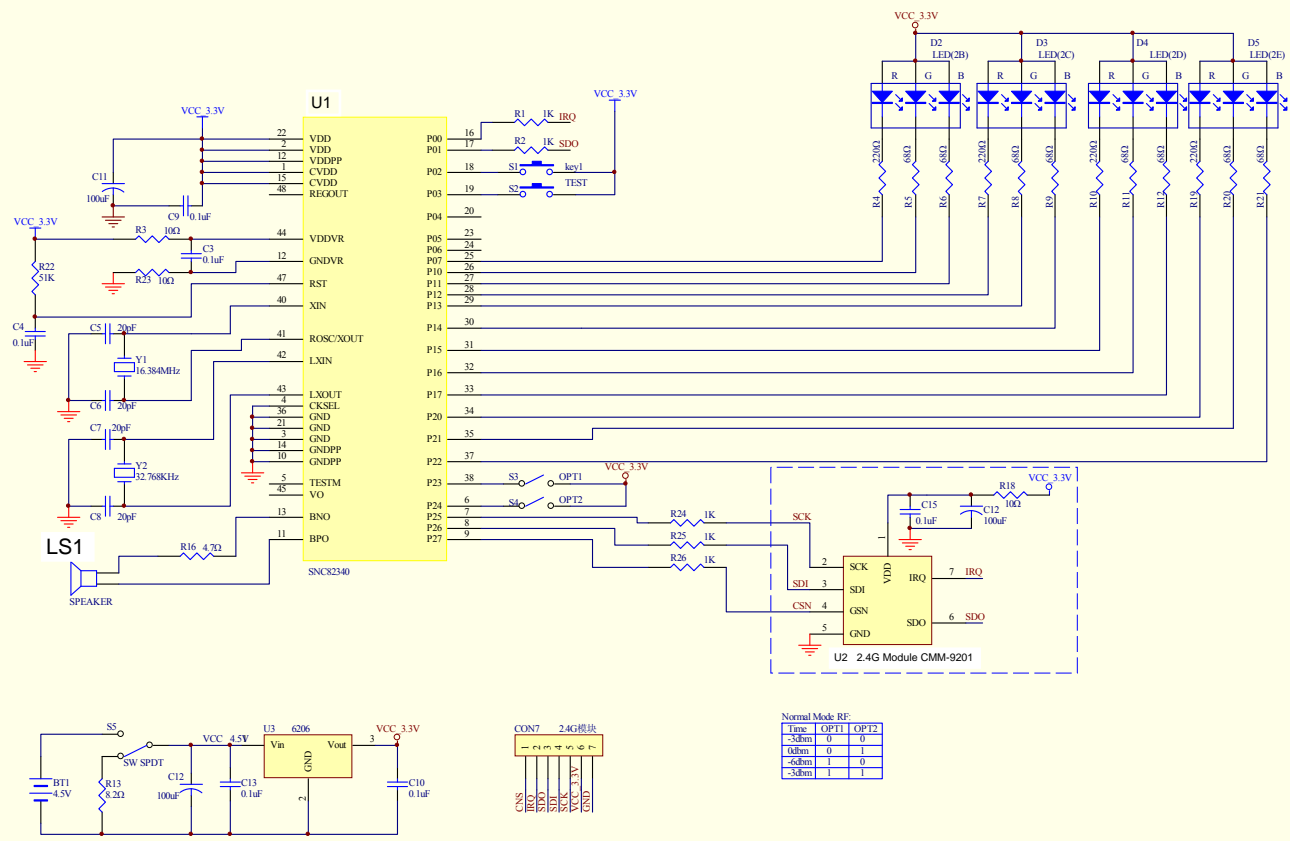


REV	MODIFIED DESCRIPTION	BY: / DATE	APR. / DATE
	INITIAL RELEASE		



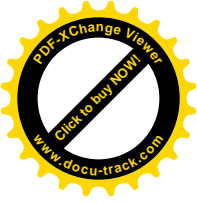
Note:
 1. All resistor values are indicated in "ohm" (1K=1000ohm), unless otherwise noted.
 2. All capacitance values are indicated in "uF", inductance in "uH", unless otherwise noted.

Normal Mode: RF

Time	OPT1	OPT2
<-3dbm	0	0
0dbm	0	1
-6dbm	1	0
<-3dbm	1	1

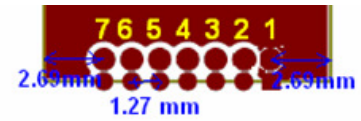
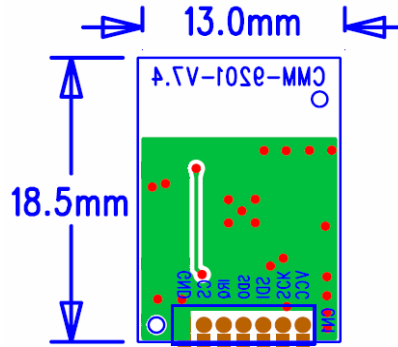
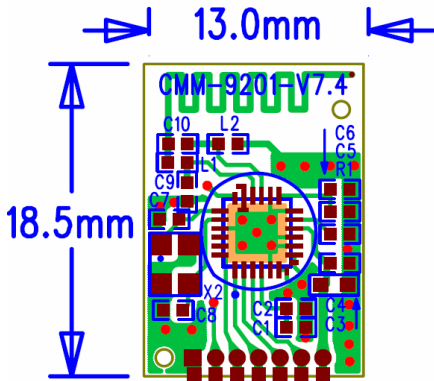
FORWARD WINSOME IND. LTD.

PROJECT NO:	H1411	COMPONENT NO:	H1411*409010	DRN BY:	ZJ Yang	DATE:	5/4/2014
PROJECT NAME:	H1411	COMPONENT NAME:	H1411 SCHEMATIC	CKD BY:	WJ Lai	DATE:	5/4/2014
PROJECTION:		SCALE:	1:1	UNIT:	mm	MAT:	
DWG. NO:	ENG-SCH1411-01	REV:	1.0	APVD BY:	WJ Lai	DATE:	5/4/2014
						SHEET NO:	1 of 1



CMM-9201/9203-V7.4 Mini 2.4GHz Transceiver Module

C-MAX



Thru-hole $\phi = 0.65\text{mm}$



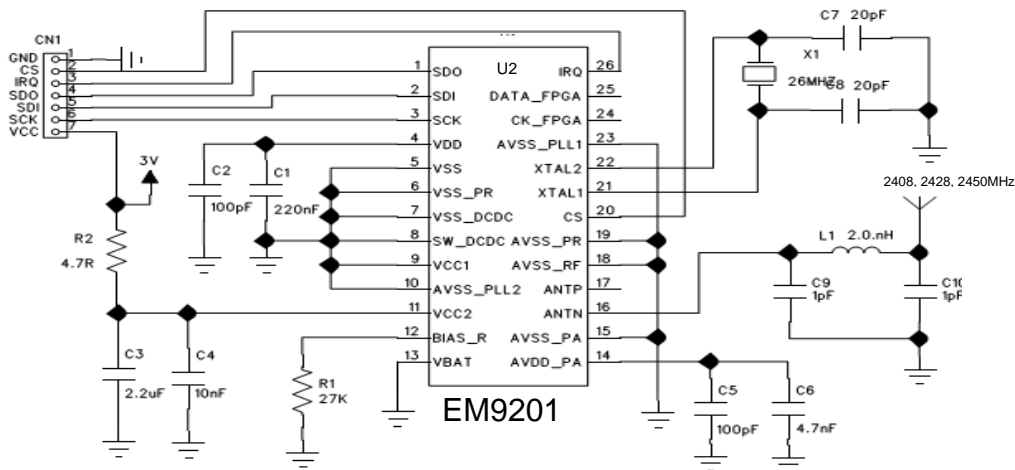
FRONT



BACK

Module thickness: 2.2mm max (SMT crystal)

1.3 Module Reference Circuit diagram



SPEC No.	Revision	State	C-MAX printed	Version	Page
CMM9201/03-V7.4 2.4GHz Transceiver module	1.2	2014-01-09	2014-01-09	English	2 of 3