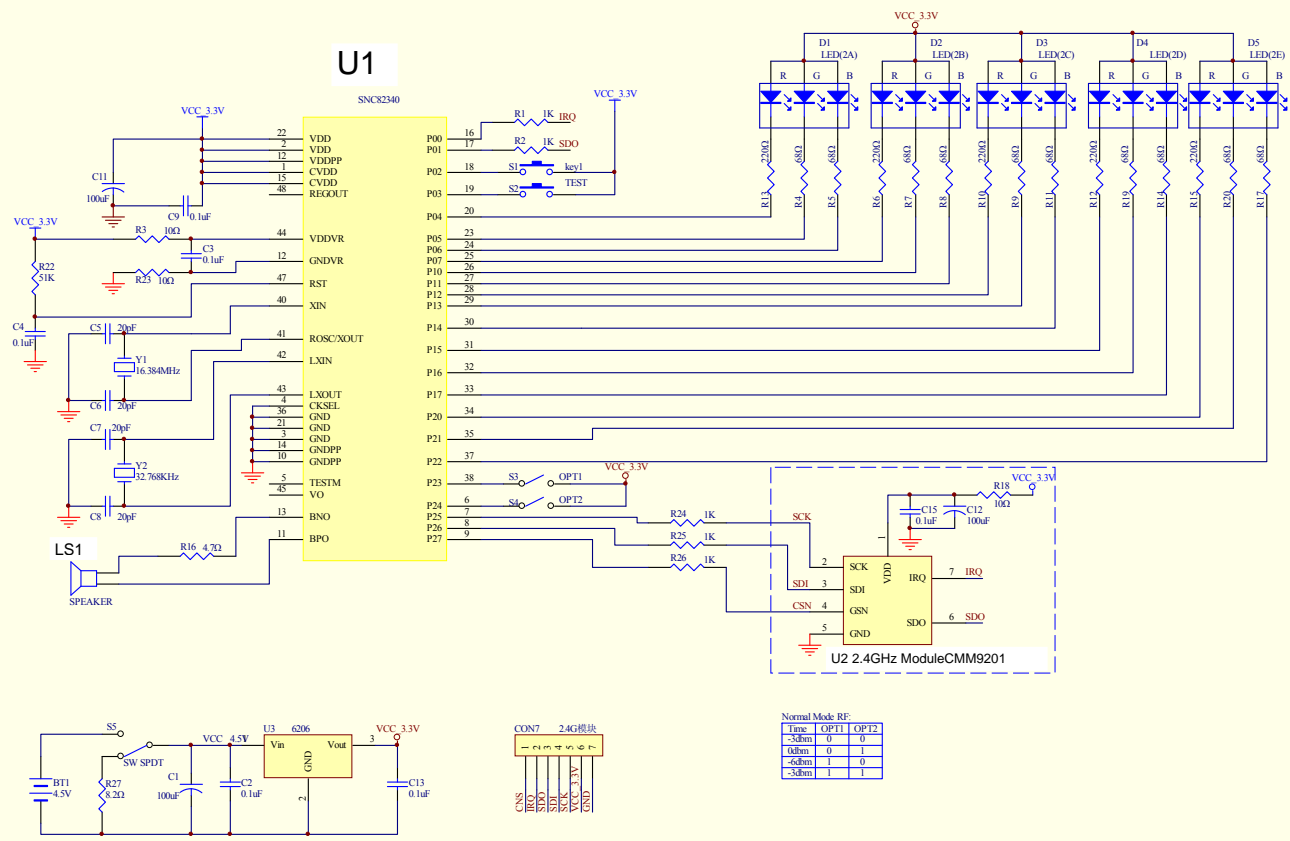
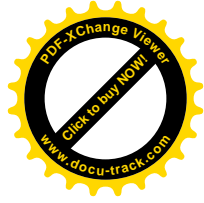
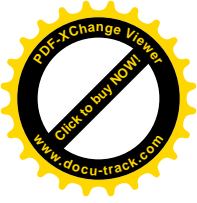


REV	MODIFIED DESCRIPTION	BY: / DATE	APR. / DATE
	INITIAL RELEASE		



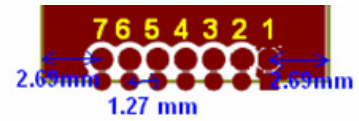
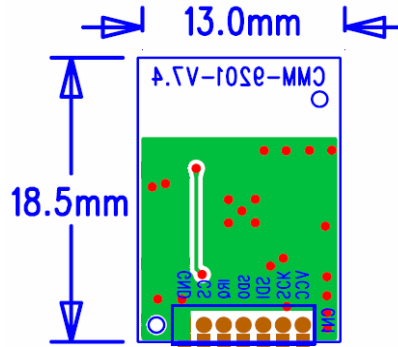
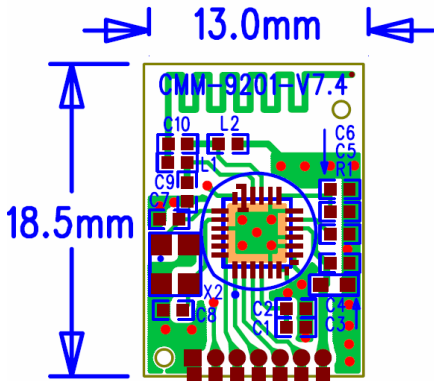
Note:
 1. All resistor values are indicated in "ohm" (1K=1000ohm), unless otherwise noted.
 2. All capacitance values are indicated in "uF", inductance in "uH", unless otherwise noted.

FORWARD WINSOME IND. LTD.			
PROJECT NO:	H1410	COMPONENT NO:	H1410*409010
PROJECT NAME:	H1410	COMPONENT NAME:	H1410 SCHEMATIC
PROJECTION:		SCALE:	1:1
		UNIT:	mm
		MAT:	
DWG. NO:	ENG-SCH1410-01	REV:	1.0
		DRN. BY:	ZJ Yang
		DATE:	5/4/2014
		CKD BY:	WJ Lai
		DATE:	5/4/2014
		APVD BY:	WJ Lai
		DATE:	5/4/2014
		SHEET NO:	1 of 1



CMM-9201/9203-V7.4 Mini 2.4GHz Transceiver Module

C-MAX



Thru-hole $\phi = 0.65\text{mm}$



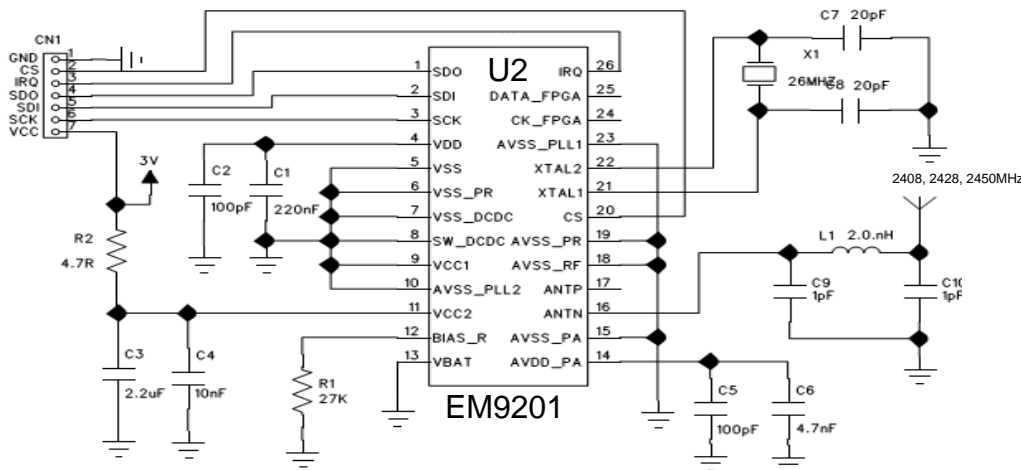
FRONT



BACK

Module thickness: 2.2mm max (SMT crystal)

1.3 Module Reference Circuit diagram



SPEC No.	Revision	State	C-MAX printed	Version	Page
CMM9201/03-V7.4 2.4GHz Transceiver module	1.2	2014-01-09	2014-01-09	English	2 of 3