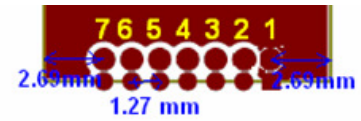
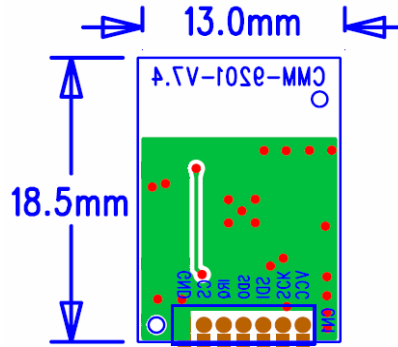
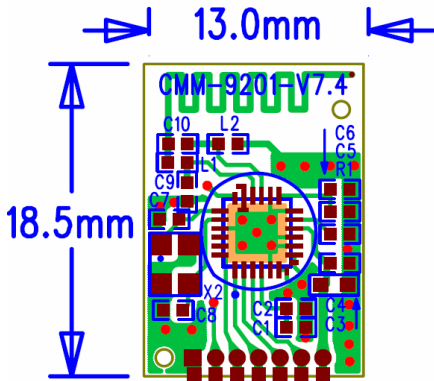


CMM-9201/9203-V7.4 Mini 2.4GHz Transceiver Module

C-MAX



Thru-hole $\phi = 0.65\text{mm}$



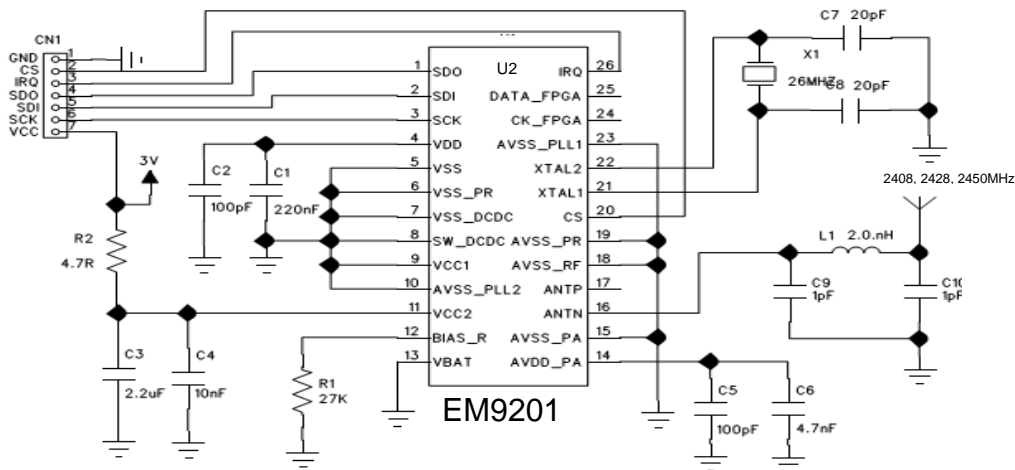
FRONT



BACK

Module thickness: 2.2mm max (SMT crystal)

1.3 Module Reference Circuit diagram



SPEC No.	Revision	State	C-MAX printed	Version	Page
CMM9201/03-V7.4 2.4GHz Transceiver module	1.2	2014-01-09	2014-01-09	English	2 of 3