

**Confidential Property of  
Jetta Company Ltd.**

<b>Drawn By:</b>	
<b>Checked By:</b>	
<b>Approved By:</b>	

Title <b>Disney Band</b>		
Size: A4	Number: K1291-K1295	Revision: 01
Date: 2013/7/17	Time: 下午 04:01:50	Sheet* of *
File: D:\zxh1\2013 project\K1291\K1291+003+0020(01-00)\K1291+003+0020 REV01 FCC.SchDoc		

*Jetta (China) Co. Ltd.*  
Corresponding PCB :



6

5

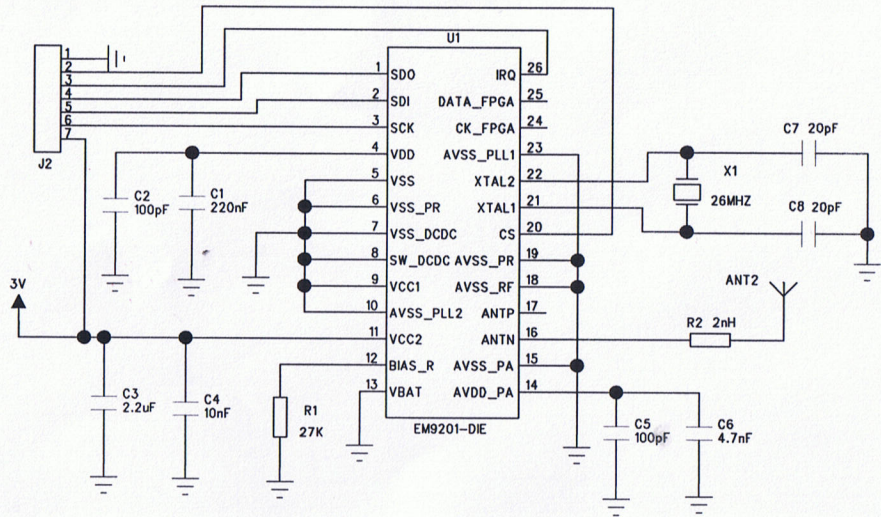
4

3

2

1

REVISION RECORD			
LTR	ECO NO:	APPROVED:	DATE:
A2	change R2 to 56 ohm,C3 to 2.2uF	CAI	Dec 26,11
A3	renane Y1 to X1	Cai	Dec 29,11
A4	Change R2 from 56R to 2nH	Richard	Feb 02,12



COMPANY:				<b>C-MAX</b>			
TITLE:				<b>CMM-9201-V7.1(AACM14-2)</b>			
CHECKED:	DATED:	CODE:	SIZE:	DRAWING NO:		REV:	
						A4	
RELEASED:	DATED:	SCALE:				SHEET: 1 OF 1	

DRAWN: <i>Richard</i>	DATED: <i>2012-2-2</i>
CHECKED:	DATED:
QUALITY CONTROL:	DATED:
RELEASED:	DATED:

D

C

B

A

D

C

B

A