

Confidential Property of
Jetta Company Ltd.

Drawn By:	Zhang Xin Hua	Title *			Jetta (China) Co. Ltd.
Checked By:	Zhou Hong Song	Size: A4	Number: K1000	Revision: 00	Opposite PCB : 0020-00-00
Approved By:	Zhang Yu Ting	Date: 27-May-2011	Time: 17:41:14	Sheet 0 of 0	Error: JETTA0.bom file not found
		File: D:\lxh-----Working-----\新唐人乐队\PCB&SCH\Backup of Backup of K1000-00			

6

5

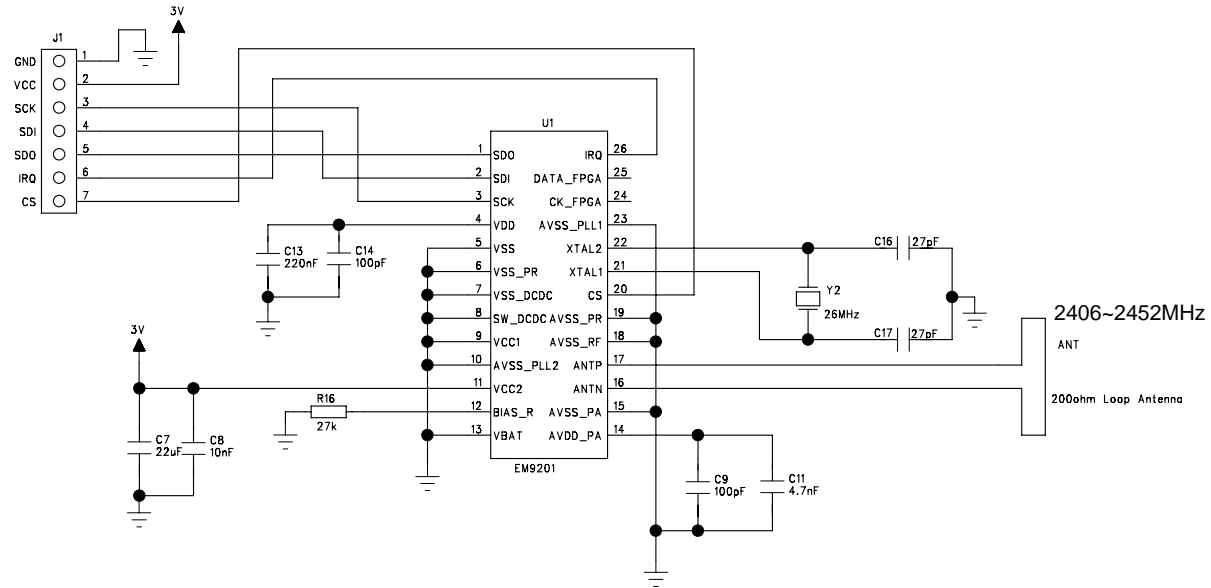
4

3

2

1

REVISION RECORD			
LTR	ECO NO:	APPROVED:	DATE:
A1	Version 2(no DC/DC)	Herry	2010-04-01



D

C

B

A

D

C

B

A

COMPANY:				C-MAX			
TITLE:				EM9201 V1.4			
CODE:		SIZE:		DRAWING NO:		REV:	
						A1	
SCALE:						SHEET: 1 OF 1	

DRAWN:	DATED:
CHECKED:	DATED:
QUALITY CONTROL:	DATED:
RELEASED:	DATED: