

Schematic of MCU

**Confidential Property of
Jetta Company Ltd.**

Drawn By:	Zhang Xin Hua	Title *		<i>Jetta (China) Co. Ltd.</i>
Checked By:	Li Xiao Hong	Size: A4	Number: 10420	Revision: 00
Approved By:	Zhang Yu Ting	Date: 2012/6/20	Time: 08:44:00	Sheet* of *
		File: D:\zxh1\2012 project\10420\10420+003+0020(01-00)\10420+003+0020 REV01.SchDoc		Opposite PCB : 0020-00-00



6

5

4

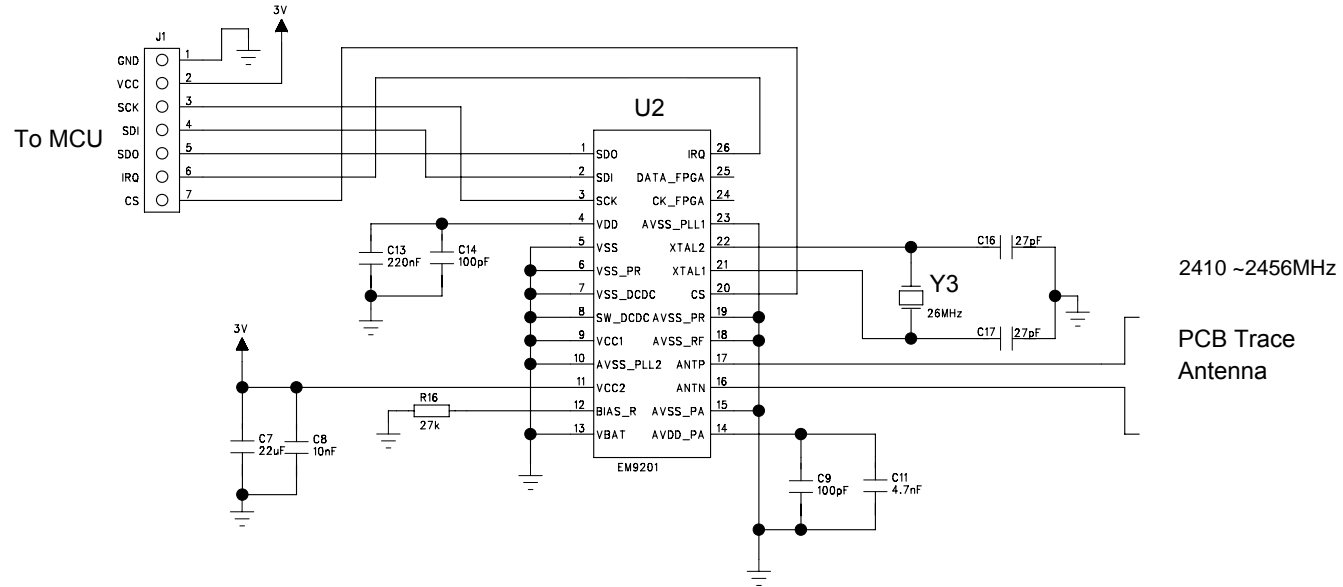
3

2

1

REVISION RECORD			
LTR	ECO NO:	APPROVED:	DATE:
A1	Version 2(no DC/DC)	Herry	2010-04-01

Schematic of 2.4GHz module



2410 ~2456MHz

PCB Trace Antenna

COMPANY:				C-MAX			
TITLE:				EM9201			
DRAWN:	DATED:	CODE:	SIZE:	DRAWING NO:	REV:		
CHECKED:	DATED:				A1		
QUALITY CONTROL:	DATED:						
RELEASED:	DATED:						
SCALE:					SHEET: 1 OF 1		

D

C

B

A

D

C

B

A