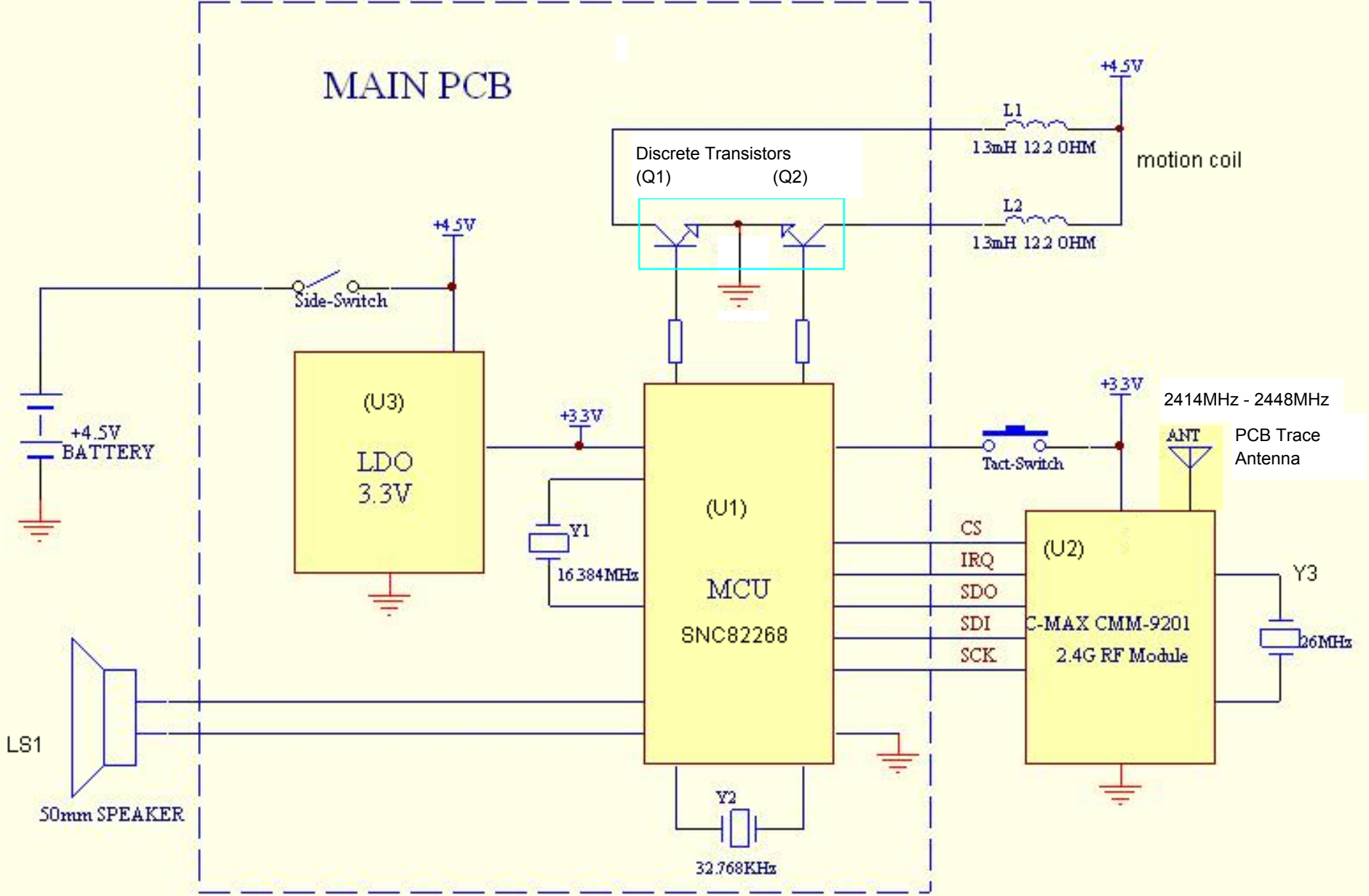


MAIN PCB





1.1 Block diagram

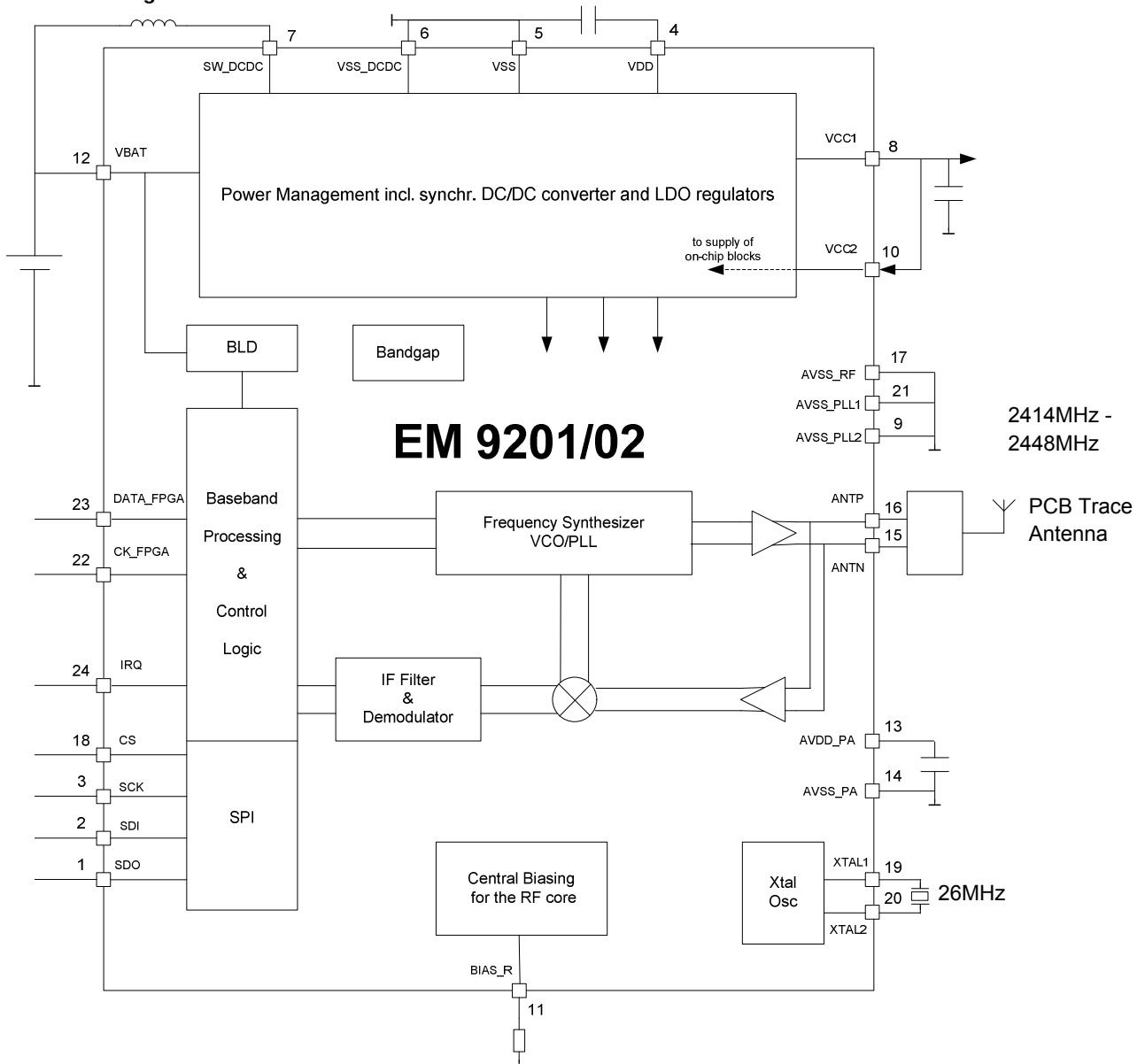


Figure 1 Simplified block diagram (DC/DC configuration).

1.2 Pin information (all versions)

Pin Nr	Name	I/O	Description
1	SDO	O	SPI data output
2	SDI	I	SPI data input
3	SCK	I	SPI clock input
4	VDD	O	Positive supply of digital part (baseband and frequency synthesizer)
5	VSS		Negative supply of digital part (plus ESD protection digital segment) ¹⁾
6	VSS_DCDC		Negative supply for DC/DC converter ¹⁾
7	SW_DCDC	I/O	Coil switch of DC/DC converter
8	VCC1	O	Output of DC/DC converter. On Version 2 (no DC/DC) connected to ground ²⁾
9	AVSS_PLL2		Negative supply of PLL ¹⁾