

Schematic of MCU

**Confidential Property of  
Jetta Company Ltd.**

<b>Drawn By:</b>	Zhang Xin Hua	Title *		<i>Jetta (China) Co. Ltd.</i>
<b>Checked By:</b>	Li Xiao Hong	Size: A4	Number: 10420	Revision: 00
<b>Approved By:</b>	Zhang Yu Ting	Date: 2012/6/20	Time: 08:44:00	Sheet* of *
		File: D:\zxh1\2012 project\10420\10420+003+0020(01-00)\10420+003+0020 REV01.SchDoc		Opposite PCB : 0020-00-00



6

5

4

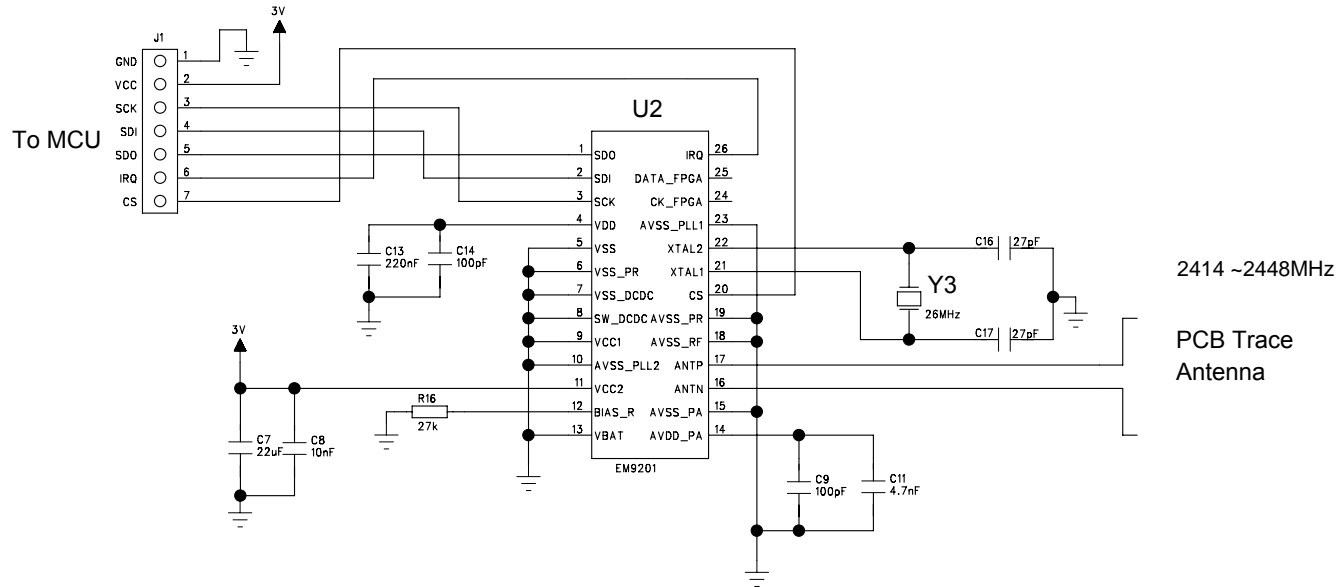
3

2

1

REVISION RECORD			
LTR	ECO NO:	APPROVED:	DATE:
A1	Version 2(no DC/DC)	Herry	2010-04-01

### Schematic of 2.4GHz module



2414 ~2448MHz

PCB Trace Antenna

COMPANY:				<b>C-MAX</b>			
TITLE:				<b>EM9201</b>			
DRAWN:	DATED:	CODE:	SIZE:	DRAWING NO:	REV:	A1	
CHECKED:	DATED:						
QUALITY CONTROL:	DATED:						
RELEASED:	DATED:						
SCALE:						SHEET: 1 OF 1	

D

C

B

A

D

C

B

A