

Confidential Property of
 Jetta Company Ltd.

Drawn By:	Zhang Xin Hua	Title *			Jetta (China) Co. Ltd.
Checked By:	Zhou Hong Song	Size: A4	Number: K1000	Revision: 00	Opposite PCB : 0020-00-00
Approved By:	Zhang Yu Ting	Date: 27-May-2011	Time: 7:39:00	Sheet 0 of 0	Error: JETTA0.brd file not fo
File: D:\1kh\-----\Working 工作-----\浙雪人乐队\PCB&SCH\Backup of Backup of K1003+0					

6

5

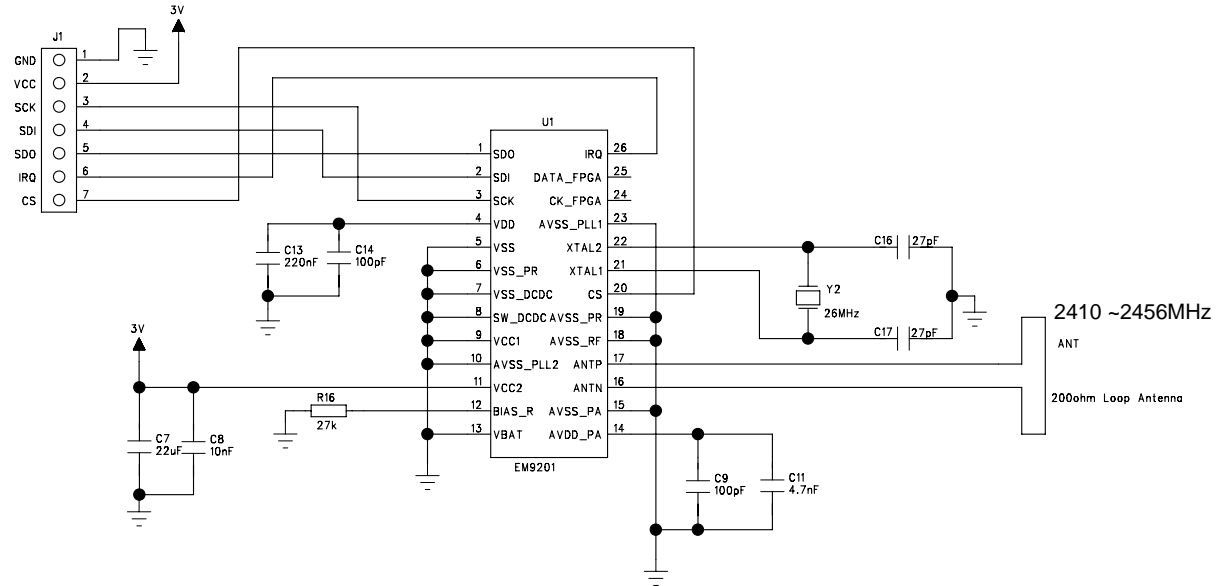
4

3

2

1

REVISION RECORD			
LTR	ECO NO:	APPROVED:	DATE:
A1	Version 2(no DC/DC)	Herry	2010-04-01



D

C

B

A

D

C

B

A

COMPANY:				C-MAX							
TITLE:				EM9201 V1.4							
DRAWN:		DATED:		CODE:		SIZE:		DRAWING NO:		REV:	
CHECKED:		DATED:								A1	
QUALITY CONTROL:		DATED:									
RELEASED:		DATED:									
SCALE:										SHEET: 1 OF 1	