

Confidential Property of
Jetta Company Ltd.

Drawn By:	Zhang Xin Hua	Title *			Jetta (China) Co. Ltd.
Checked By:	Zhou Hong Song	Size: A4	Number: K1000	Revision: 00	
Approved By:	Zhang Yu Ting	Date: 27-May-2011	Time: 17:41:14	Sheet 0 of 0	Opposite PCB : 0020-00-00
		File: D:\lxh-----\Working 工作-----\新晋人张洪\PCB.&SCH\Backup of Backup of K1000-00			Error: JETTA0.bom file not fo

6

5

4

3

2

1

D

C

B

A

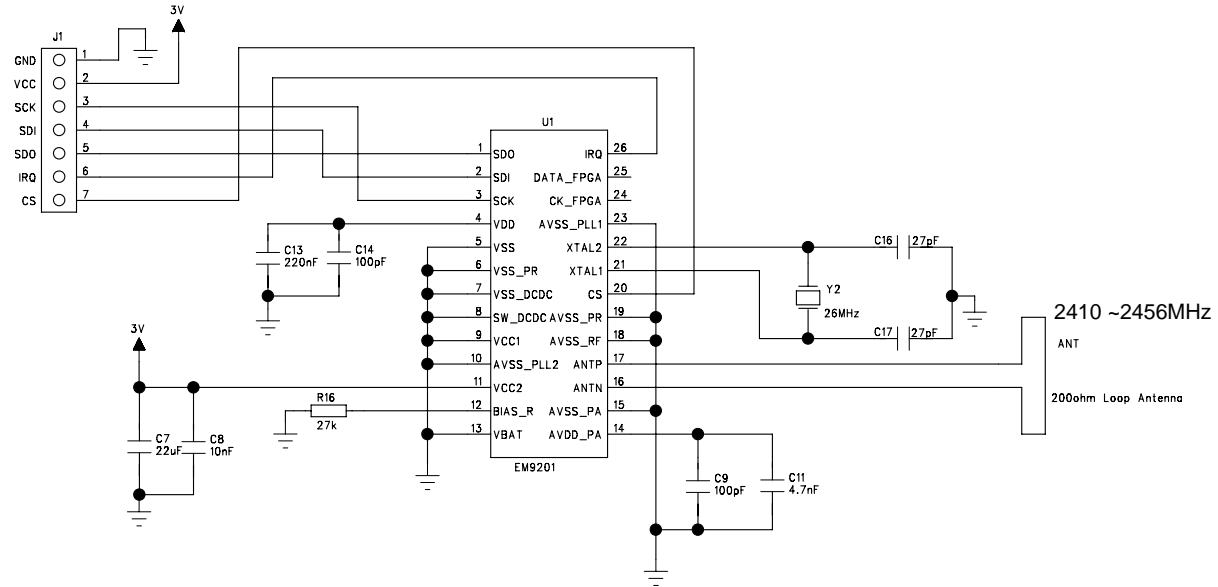
D

C

B

A

REVISION RECORD			
LTR	ECO NO:	APPROVED:	DATE:
A1	Version 2(no DC/DC)	Herry	2010-04-01



COMPANY:				C-MAX			
TITLE:				EM9201 V1.4			
DRAWN:	DATED:	CODE:	SIZE:	DRAWING NO:	REV:		
CHECKED:	DATED:				A1		
QUALITY CONTROL:	DATED:						
RELEASED:	DATED:						
SCALE:					SHEET: 1 OF 1		