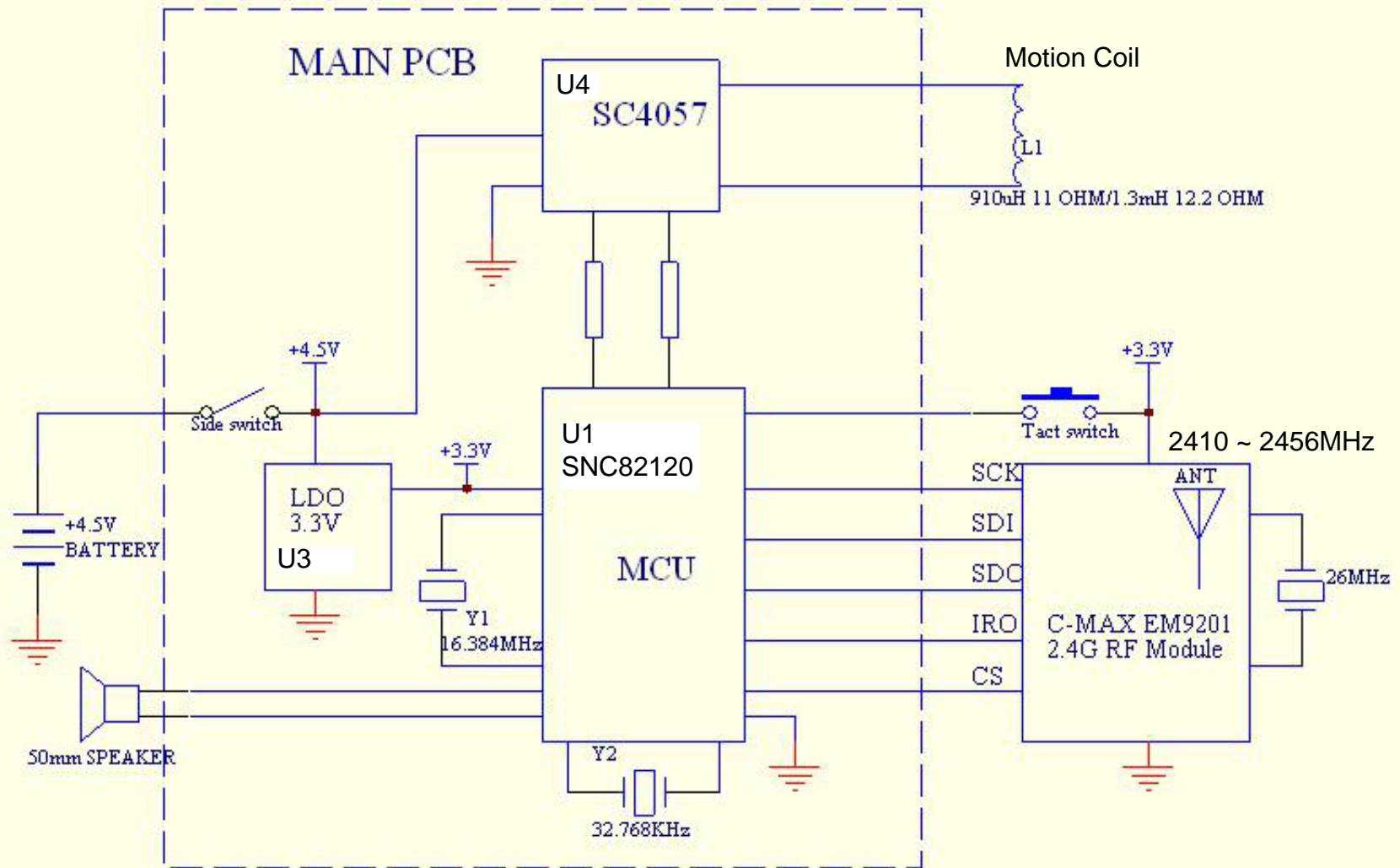


FCC ID: SQ9XKT1002  
IC: 5768A-XKT1002



# Block Diagram of the RF module

1.1 Block diagram

