

6

5

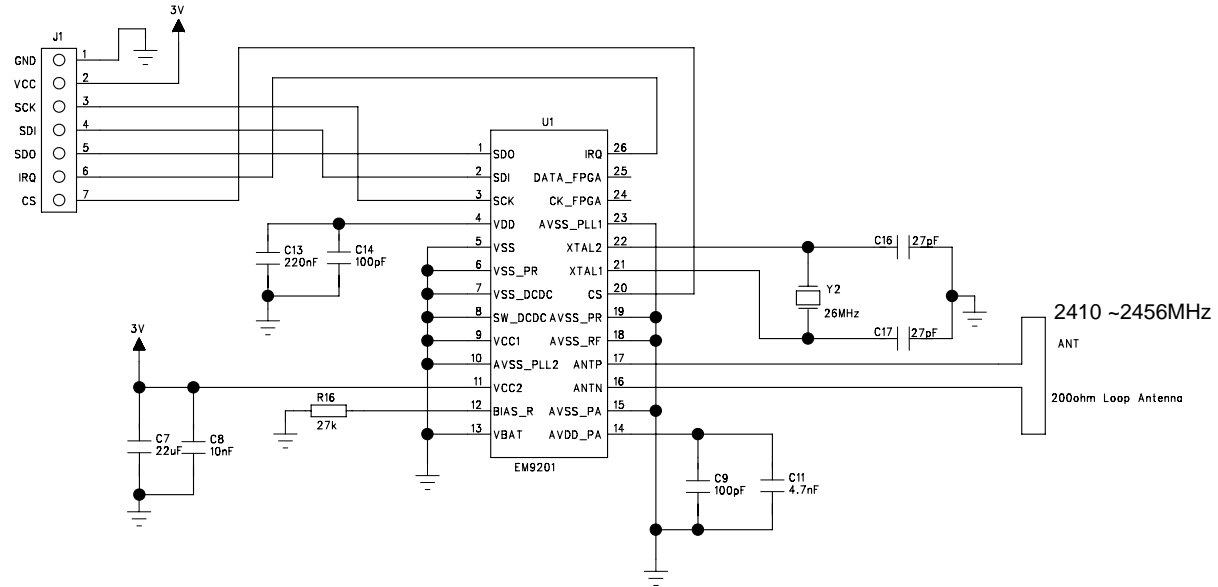
4

3

2

1

REVISION RECORD			
LTR	ECO NO:	APPROVED:	DATE:
A1	Version 2(no DC/DC)	Herry	2010-04-01



D

C

B

A

D

C

B

A

COMPANY:				C-MAX			
TITLE:				EM9201 V1.4			
DRAWN:	DATED:	CODE:	SIZE:	DRAWING NO:	REV:		
CHECKED:	DATED:				A1		
QUALITY CONTROL:	DATED:						
RELEASED:	DATED:						
SCALE:					SHEET: 1 OF 1		