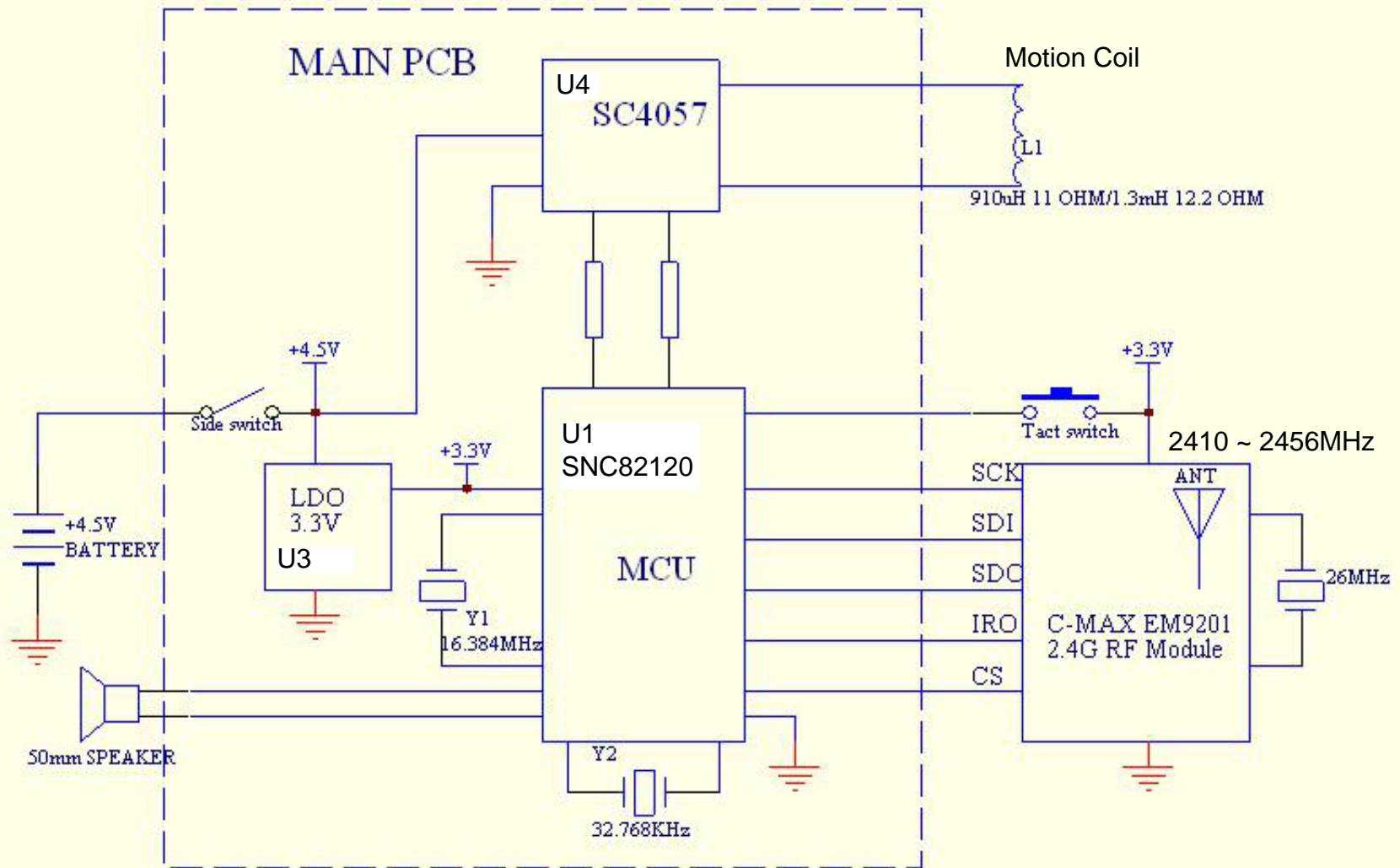


FCC ID: SQ9XKT1001
IC: 5768A-XKT1001



Block Diagram of the RF module

1.1 Block diagram

