

Company Name:HALL MARK

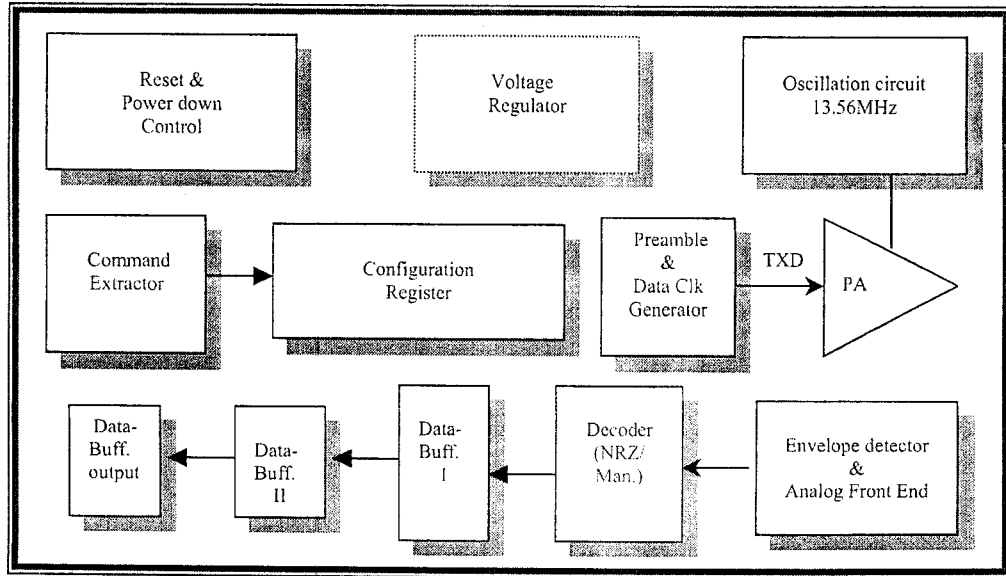
Mode NO:QLX7622

Mode Name:Nostalaic Recod player

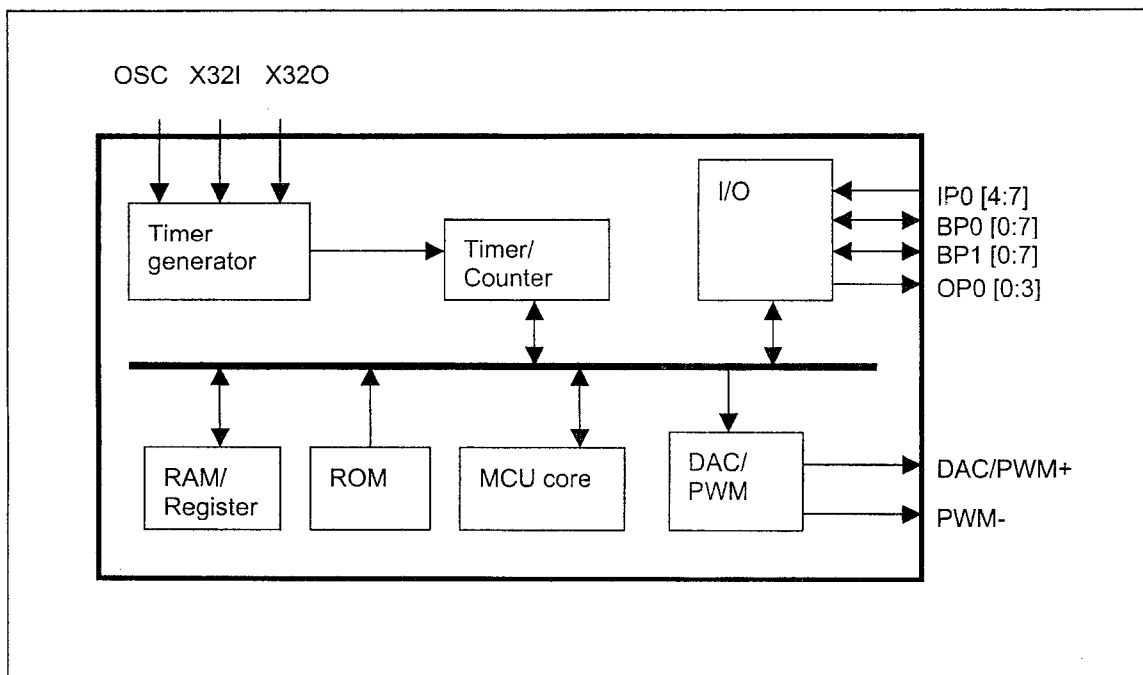
Block diagram for Main Unit

Block diagram (MFID Reader W55MID50)

W55MID50 System Block Diagram

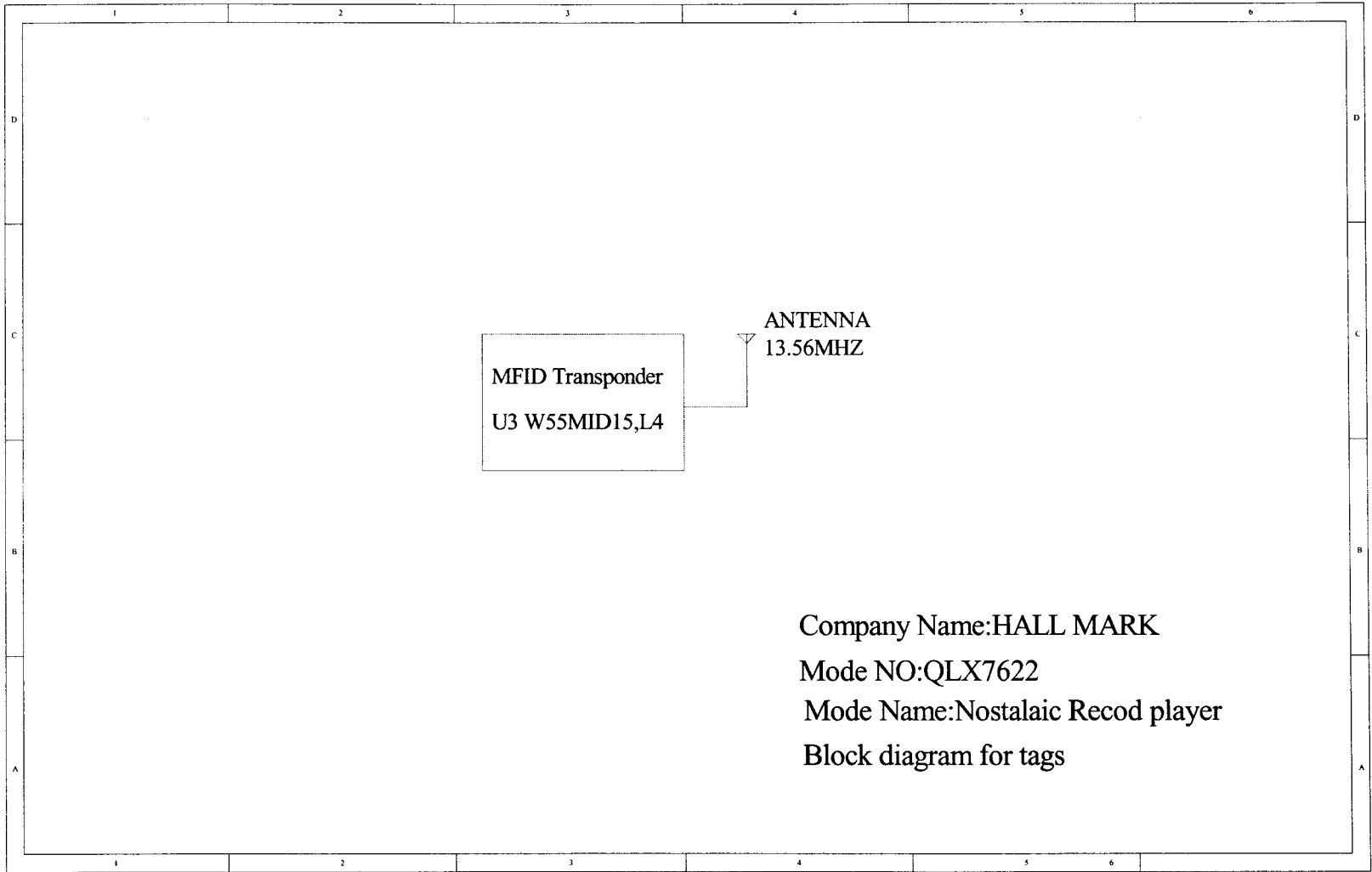


Block diagram (8-Bit MCU with Voice/ Melody Synthesizer W588S100)



Notes:

1. IP0 and OP0 are only providing in W588S009, W588S012 and W588S015.
2. BP1 is no providing in W588S009, W588S012 and W588S015.
3. PWM is no providing in W588S003 and W588S006.



MFID Transponder
U3 W55MID15,L4

ANTENNA
13.56MHZ

Company Name:HALL MARK
Mode NO:QLX7622
Mode Name:Nostalaic Recod player
Block diagram for tags

Block diagram (MFID Transponder W55MID15)

W55MID15 System Block Diagram

