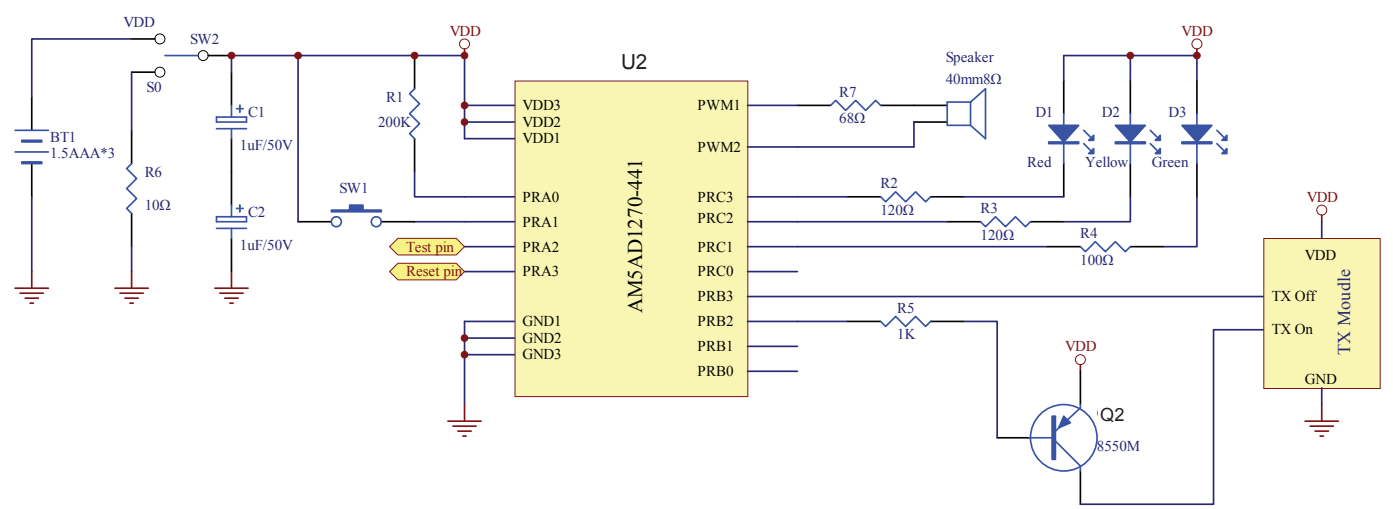
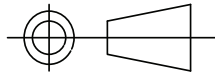
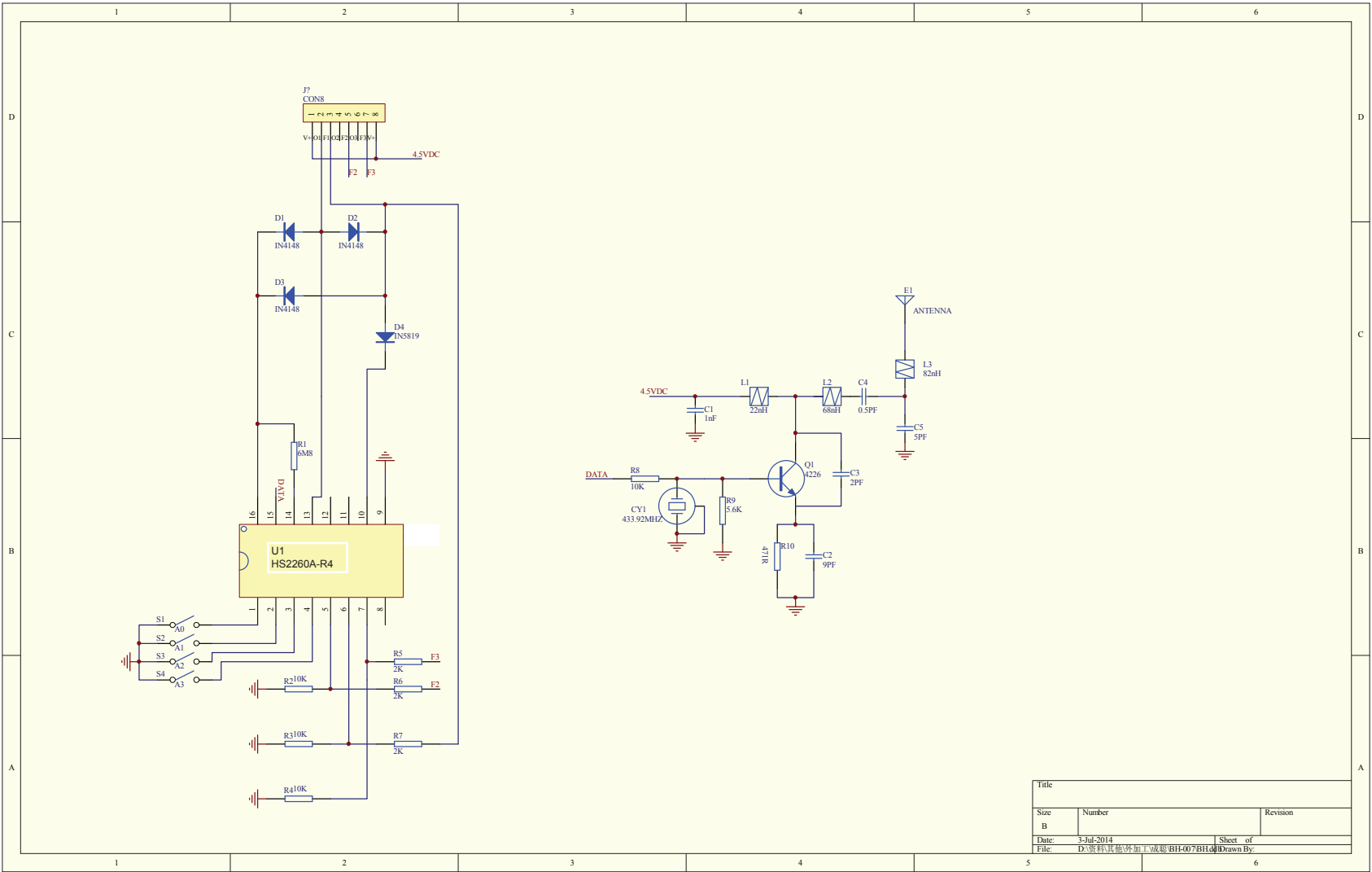


REV.	MODIFIED DESCRIPTION	DATE:	BY:	APR.
1.0			SM Qiu	WJ Lai



FORWARD WINSOME IND. LTD.

PROJECT NO: H2401	COMPONENT NO: H2401-3110	DRN.BY: SM Qiu	DATE: 5/30/2014
PROJECT NAME: The Hub	COMPONENT NAME: H2401 SCHEMATIC	CKD.BY: SM Qiu	DATE: 5/30/2014
PROJECTION: 	SCALE: 1:1	UNIT: mm	MAT'L:
	DWG.NO: ENG- SCH2401-10	REV: 1.0	SHEET NO: 1 of 1



Title		
Size	Number	Revision
B		
Date:	3-Jul-2014	Sheet of
File:	D:\资料\其他\加工\威恩\BH4007BH10	Drawn By: