



# Frey Glider XS Frey Glider XS WWAN

Rugged Mobile Computer  
Quick Start Guide



REV.:1.0

## General Safety Rules

- Please read this Guide carefully before you start using this device.
- Use only the Frey Glider components and accessories supplied by the manufacturer.
- Do not attempt to disassemble the Frey GliderXS, as it does not contain parts that can be repaired by the user. Any tampering will void the warranty.
- Discard replaced battery packs properly according to local laws.
- At the end of this device's product life, dispose of properly according to local laws.
- Do not submerge the Frey Glider XS in any type of liquid.

## Package Contents

- Frey GliderXS Mobile Computer
- Battery Pack (with Rechargeable Battery)
- Hand Strap
- Quick Start Guide
- USB Charge/Communication Cable
- Quick Charge Compliant Power Adapter



After unpacking, please inspect package contents. If any item is damaged or missing, please contact your customer support representative immediately.

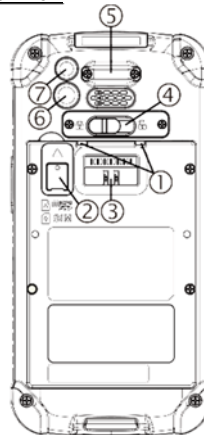
## Features

### Front View



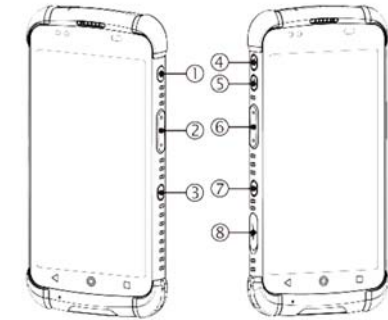
1. Scan LED
2. Charging LED
3. Logo
4. P sensor /Light sensor
5. Information LED
6. Back Key
7. Home Key
8. Recent Key
9. Speaker

### Back View

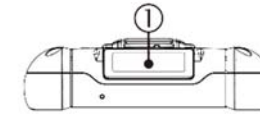


1. Battery/ Cover Latches
2. SIM /Micro SD Card Slot
3. Battery Pins
4. Battery/ Cover Lock Switch
5. Hand Strap Hook
6. Back Camera
7. Flash LED

### Side View

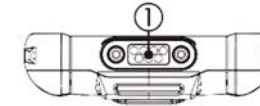


- 1 Power Button
- 2 Scan Button
- 3 Function Button
- 4 Volume Up
- 5 Volume Down
- 6 Scan Button
- 7 Function Button
- 8 USB Connector



### Top View

- 1 Scan Window



### Bottom View

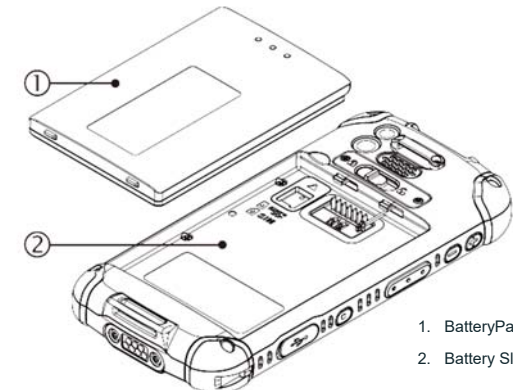
- 1 Cradle IO Connect

## Charging Instructions

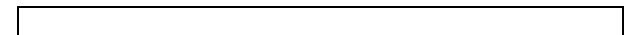
The Frey Glider XS battery pack is not initially fully charged. After installing the battery pack, please charge it via the USB cable or the charging cradle. As default, the battery pack is disconnected at the factory to avoid damage caused by excessive draining. Replace the battery pack annually to ensure maximum performance. Avoid storing batteries for long periods of time in fully charged or very low battery level status. To maintain a moderate charge and maximize battery life, charge spare battery packs every two to three months.

### Installing the Battery Pack

1. Detach the hand strap to access the battery slot.
2. Push the Battery Lock Switch to Open.
3. Align the battery pack and the device connectors and slide it into place.
4. Push the Battery Lock Switch to Closed to secure the battery.



1. BatteryPack
2. Battery Slot



### CAUTION

**RISK OF EXPLOSION IF BATTERY IS REPLACED BY AN INCORRECT TYPE.  
DISPOSE OF USED BATTERIES PROPERLY ACCORDING TO LOCAL LAWS.**

#### Charging via USB Cable

Use the provided USB charge / communication cable together with the Quick Charge compliant power adapter to charge the Frey Glider XS from a power outlet.

#### Charging via Charging Cradle

Place the Frey Glider XS in the charging cradle. Attach the power adapter to the cradle, then plug the power adapter into a power outlet.

#### Charging Time

Charging time required will vary depending on the actual application of the Frey Glider XS and the condition of the battery pack. This device is shipped with a lithium-ion battery that is not fully charged. Please charge this device fully before first time use. Use under environment temperatures of 5°C~45°C.

#### SD / SIM Card Installation

1. Turn off the Frey Glider XS or put it in Battery Swap Mode
2. Detach the hand strap
3. Push the Battery Lock Switch to Open and remove the battery pack
4. Insert the micro SD / SIM card into the card slot
5. Insert the battery pack into the battery slot.
6. Push the Battery Lock Switch to Closed

#### Scanning a Barcode Label

1. Point the scan window at the barcode you wish to scan.
2. Tap Scan on the screen or press the scan button on the Frey Glider XS.
3. The imager projects a laser aiming pattern to position the barcode in the imager's field of view. Center the laser red dot and cross-hair aiming pattern on the bar code.
4. Release the scan button or press stop on the trigger button to capture and decode the image.

#### Laser Safety

Do not stare into the beam of the laser light from this device. The Frey Glider uses an imager Aiming System with a laser light that is visible to the human eye and is emitted from the scan window at the top of the device.



*Laser Light - Do not stare into this Beam Class 2 Laser Product.  
The maximum output radiation is 1 mW compliant with EN 60825-1 (2007)*

#### Important Notices and Precautions

The manufacturer has made safety the first priority during the design stage. To avoid potential mishaps, please observe the following notices and precautions:



- Do not store this device under high temperature conditions that may cause the battery to overheat.
- Do not charge longer than required. When the charging light is red, stop charging immediately.
- Charge this device in place without any water-spray or moisture.
- Use a dry cloth to wipe any dust off of the AC adapter plug to avoid potential fire.
- Do not drop this device on hard surfaces.
- Do not place heavy objects on this device to avoid cracking the enclosure.
- Do not unplug the AC adapter with wet hands to avoid electric shock.
- Do not use the AC adapter of the Frey Glider XS with any other devices.



- Do not place the device in liquids to prevent short-circuits or fire.
- Do not place this device near an open fire.
- If the power or USB cable is seriously twisted or broken, stop using immediately to prevent electric shock, short-circuit, or fire.
- Stop using immediately if there is any unusual smell or overheating during charging or operation.
- Stop using immediately when there is liquid or dew on the device.



- ❖ Do not use the AC adapter outdoors
- ❖ Please do not wrap the AC adapter with cloth or other objects that could block heat dissipation and cause electric shock or fire.
- ❖ When not charging, remove the AC adapter plug from the wall AC outlet socket to avoid a fire hazard.

#### Important Notices When Using

- Before replacing the battery pack due to failure, shortened life, or unusual behavior, please confirm that the device has been used correctly, with no user operation issues involved.
- The manufacturer is not responsible for possible missing data or interference encountered during wireless transmissions.
- Do not use alcohol, benzene, organic solvents, cleaning liquid, or steel wool on the surface of this device.
- Do not scratch or mar the surface of the Scan Window in any way to avoid barcode scanning problems.

#### Bluetooth

- This device is designed based on Bluetooth standard specifications. However, compatibility problems may still occur with other Bluetooth devices.
- Before using this device, please make sure there is no other wireless device operating within a short distance of the same application area that may cause wireless signal interference.

#### Signal Interference from TV or Radio

- Sometimes transmitting or receiving data may fail due to signal interference from nearby TV or radio devices.

#### Audio Safety



#### PROTECT YOUR HEARING

*To prevent possible hearing damage, do not listen at high volume levels for long periods. Exercise caution when holding your device near your ear while the loudspeaker is in use.*

#### Spec

##### For Frey Glider XS WWAN model

Radio Type	Description
Bluetooth	Bluetooth BR+EDR
	Bluetooth 5.0-LE
WLAN	2.4GHz
	5GHz
GSM	GSM 900
	GSM 1800
WCDMA	WCDMA Band I
	WCDMA Band V
	WCDMA Band VIII
LTE	LTE Band 1
	LTE Band 3
	LTE Band 5
	LTE Band 7
	LTE Band 8
other	LTE Band 20
	NFC
	GPS

##### For Frey Glider XS model

Radio Type	Description
Bluetooth	Bluetooth BR+EDR
	Bluetooth 5.0-LE
WLAN	2.4GHz
	5GHz
other	NFC

## FCC Warning Statement

This device complies with Part 15 of the FCC Rules. Operation is subject to the following two conditions: (1) This device may not cause harmful interference, and (2) this device must accept any interference received, including interference that may cause undesired operation.

This equipment has been tested and found to comply with the limits for a Class B digital device, pursuant to Part 15 of the FCC Rules. These limits are designed to provide reasonable protection against harmful interference in a residential installation. This equipment generates, uses and can radiate radio frequency energy and, if not installed and used in accordance with the instructions, may cause harmful interference to radio communications. However, there is no guarantee that interference will not occur in a particular installation. If this equipment does cause harmful interference to radio or television reception, which can be determined by turning the equipment off and on, the user is encouraged to try to correct the interference by one of the following measures:

- Reorient or relocate the receiving antenna.
- Increase the separation between the equipment and receiver.
- Connect the equipment into an outlet on a circuit different from that to which the receiver is connected.
- Consult the dealer or an experienced radio/TV technician for help.

FCC Caution: Any changes or modifications not expressly approved by the party responsible for compliance could void the user's authority to operate this equipment.

This transmitter must not be co-located or operating in conjunction with any other antenna or transmitter.

This device meets all the other requirements specified in Part 15E, Section 15.407 of the FCC Rules.

The product comply with the FCC portable RF exposure limit set forth for an uncontrolled environment and are safe for intended operation as described in this manual. The further RF exposure reduction can be achieved if the product can be kept as far as possible from the user body or set the device to lower output power if such function is available.

## Taiwan NCC Warning Statement

· 根據低功率電波輻射性電機管理辦法

第十二條 經型式認證合格之低功率射頻電機，非經許可，公司、商號或使用者均不得擅自變更頻率、加大功率或變更原設計之特性及功能。

第十四條 低功率射頻電機之使用不得影響飛航安全及干擾合法通信；經發現有干擾現象時，應立即停用，並改善至無干擾時方得繼續使用。前項合法通信，指依電信法規定作業之無線電通信。低功率射頻電機須忍受合法通信或工業、科學及醫療用電波輻射性電機設備之干擾。

· 警語:使用過度恐傷害視力。

· 注意事項

1. 使用30分鐘請休息10分鐘。
2. 未滿2歲幼兒不看螢幕，2歲以上每天看螢幕不要超過1小時。

· SAR標準值2.0W/Kg；送測產品實測值為：0.574W/Kg。

· 減少電磁波影響，請妥適使用

· 本產品LTE的支援頻段為LTE900(B8)/LTE1800(B3)/LTE2600(B7)/LTE2100(B1)

· 使用此產品時應避免影響附近雷達系統之操作。