

IMPORTANT
PLEASE DO NOT RETURN TO STORE
 If You're Having Trouble, We're Here to Help!



Call us 24/7 at 1-855-292-4087
 E-mail us at support@alteclansing.com or visit us at alteclansing.com

REGISTER YOUR PRODUCT

To receive news, exclusive deals, OTA or firmware updates, warranty information and more please register your product at

alteclansingsupport.com



WELCOME 😊

Thank you for purchasing an Altec Lansing product. It's our goal to make sure you are happy. Share your happiness with our customer concierge.



follow us
@alteclansingofficial



follow us
@alteclansing



follow us
@alteclansingofficial

12 Month Limited Warranty

All Altec Lansing products come with 12 month limited warranty from the date of its original purchase

24 Hour Customer Support

We love our customers, and we care about your experience with Altec Lansing. If you need assistance, please call us at 1.855.292.4087 or e-mail support@alteclansing.com

www.alteclansing.com



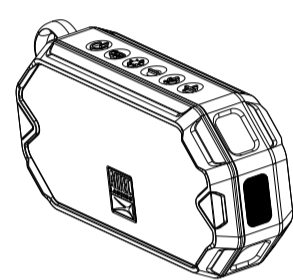
JUST LISTEN.

HydraMini Everythingproof™
Wireless Speaker

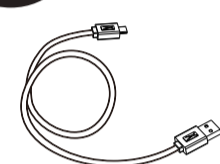
IMW1000

QUICK START GUIDE

In the Box



IMW1000 HydraMini Everythingproof™ Wireless Speaker

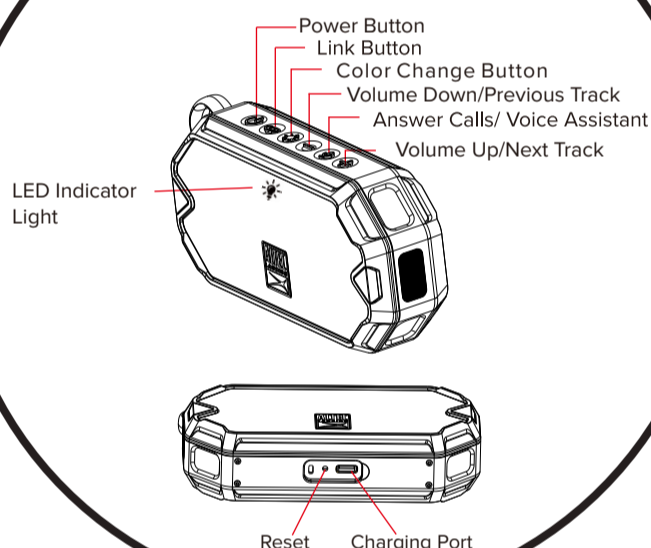


USB-C Charging Cable

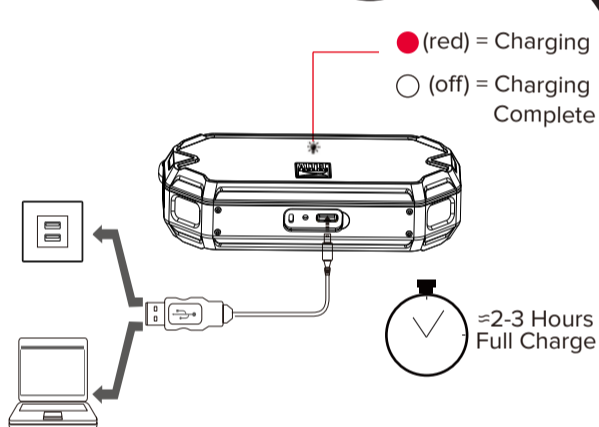
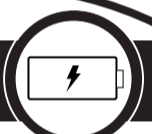


Carabiner

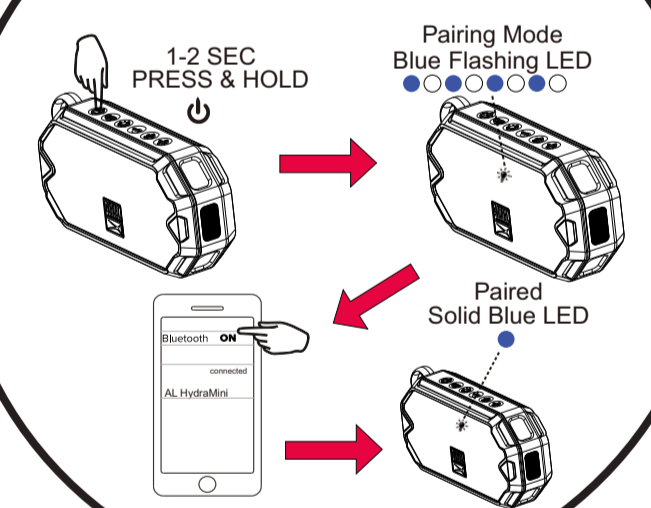
A Closer Look



Charging



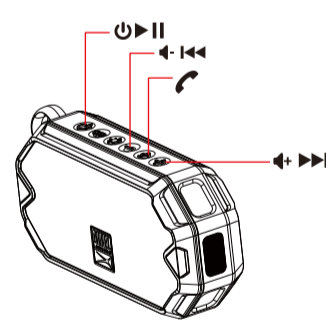
Powering On/Bluetooth Pairing



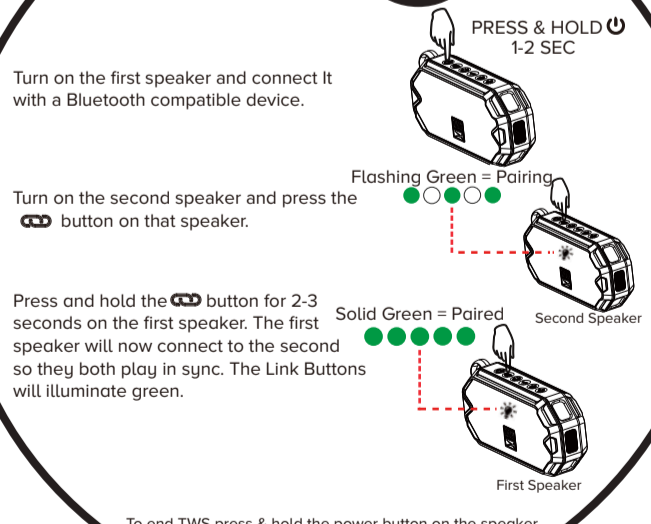
Speaker Controls



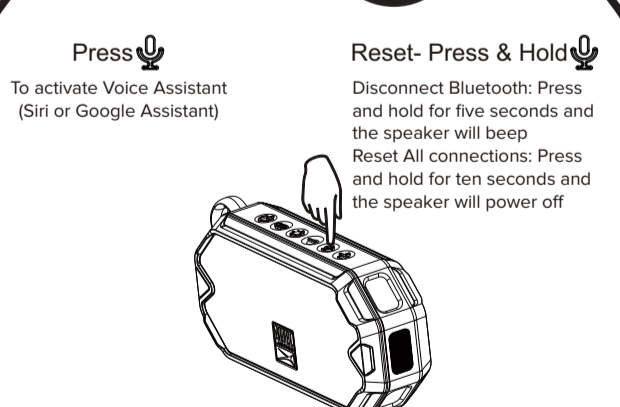
- | | |
|---------------------|---------------------------------|
| PRESS | PRESS & HOLD (2 sec) |
| + Volume Up | ON/OFF |
| - Volume Down | + Next Track |
| ⏸ Play/Pause | - Previous Track |
| 📞 Answer & End Call | 📞 Reject Incoming Call |



True Wireless Pairing

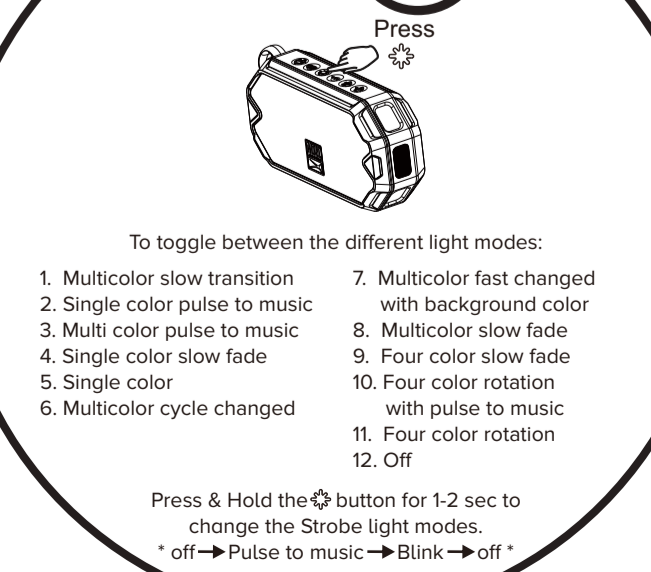


Voice Assistant/Reset



Overall battery performance varies dependent upon use setting, and environmental conditions. For further information, please visit www.alteclansing.com

Light Change Mode



FOLLOW US ON



#myalteclansing

Changes or modifications not expressly approved by the party responsible for compliance could void the user's authority to operate the equipment. This device complies with Part 15 of the FCC Rules. Operation is subject to the following two conditions: (1) this device may not cause harmful interference, and (2) this device must accept any interference received, including interference that may cause undesired operation.

This equipment has been tested and found to comply with the limits for a Class B digital device, pursuant to Part 15 of the FCC Rules. These limits are designed to provide reasonable protection against harmful interference in a residential installation. This equipment generates, uses and can radiate radio frequency energy and, if not installed and used in accordance with the instructions, may cause harmful interference to radio communications. However, there is no guarantee that interference will not occur in a particular installation. If this equipment does cause harmful interference to radio or television reception, which can be determined by turning the equipment off and on, the user is encouraged to try to correct the interference by one or more of the following measures:

- Reorient or relocate the receiving antenna.
- Increase the separation between the equipment and receiver.
- Connect the equipment into an outlet on a circuit different from that to which the receiver is connected.
- Consult the dealer or an experienced radio/TV technician for help.

This equipment complies with FCC radiation exposure limits set forth for an uncontrolled environment.

This transmitter must not be co-located or operating in conjunction with any other antenna or transmitter.

Sakar International Inc.
 195 Carter Drive
 Edison, New Jersey 08817, USA
 855-292-4087
 www.alteclansing.com