

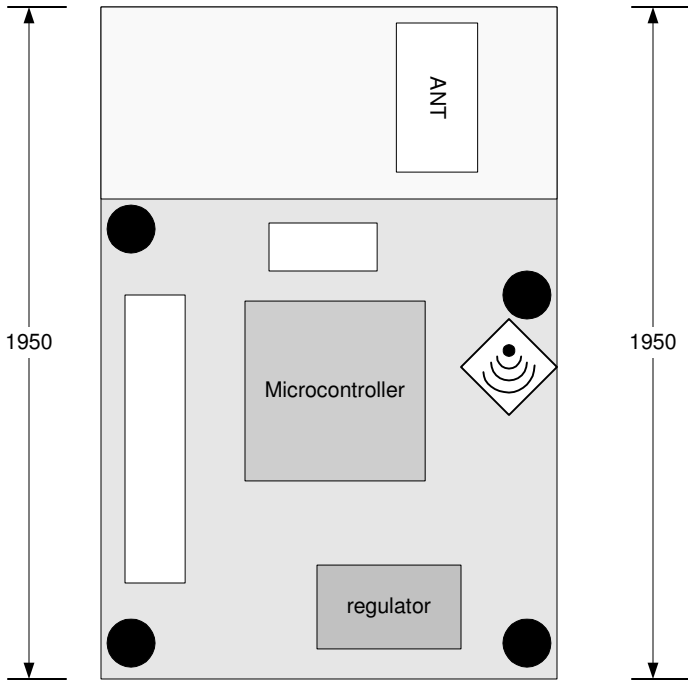
Rhein Tech Laboratories, Inc.
360 Herndon Parkway
Suite 1400
Herndon, VA 20170
<http://www.rheintech.com>

Client: Innovative Wireless Technologies, Inc.
Model #: IXU1-ASY1168
Standards: FCC 15.247
FCC ID: SP8-IXU1-ASY1168
Report #: 2006098

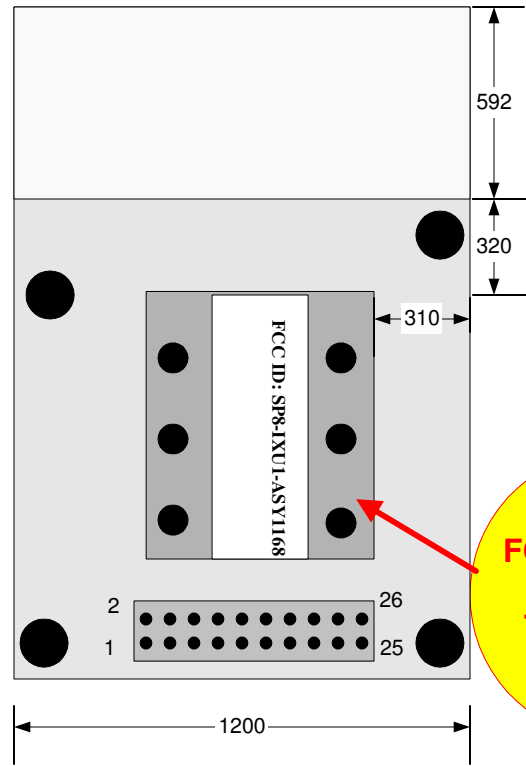
Appendix E: Label and Label Location

Please refer to the following page for a sample of the label and location.

Microcontroller Side

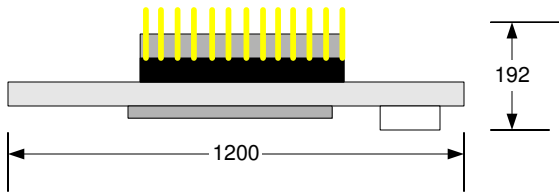


Transceiver Side

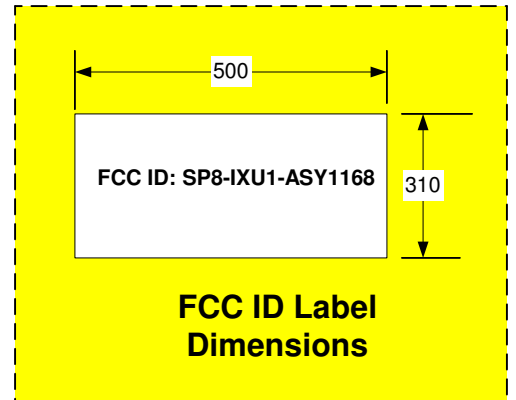


**FCC ID LABEL
FIXED TO
Transceiver
Shield**

Bottom Side



All Dimensions in mils (1/1000 ")



DESCRIPTION mProm label dimensions for FCC certification filing. IWT, Inc. CONFIDENTIAL	DATE 9-Oct-2006
	DRAWN BY Gary Raulerson, IWT Inc.
	REVISED 9-Oct-2006