

Rhein Tech Laboratories, Inc.  
360 Herndon Parkway  
Suite 1400  
Herndon, VA 20170  
<http://www.rheintech.com>

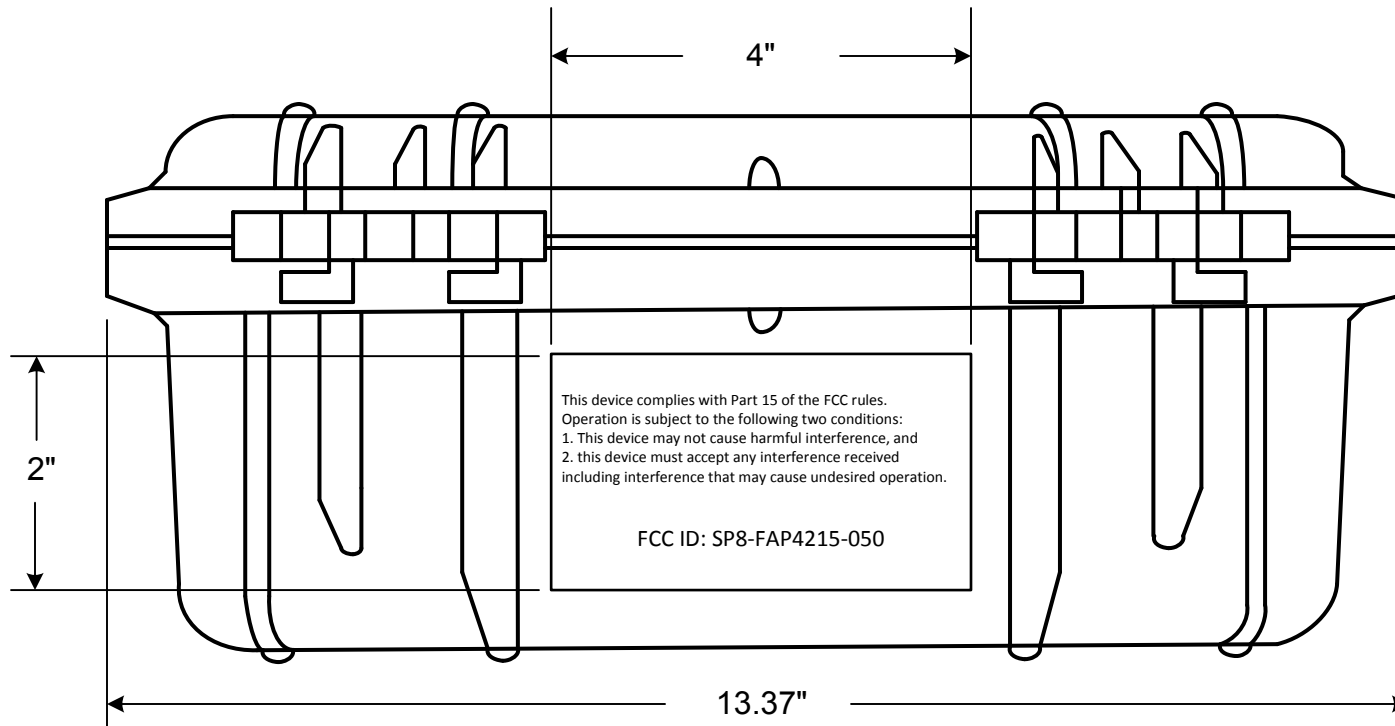
Client: IWT, Inc.  
Model #: FAP4215-050  
Standard: FCC 15.247  
FCC ID: SP8-FAP4215-050  
Report #: 2012367

#### **Appendix D: Label and Label Location**

Please refer to the following page for the ID label sample and location.

Revision	Approv/Date	Comments
R1A	1/15/2013	Initial Release

## PMN BACK VIEW



Note: Label is hand  
centered.

THE DRAWING ON THIS PRINT AND INFORMATION THEREWITH ARE PROPRIETARY TO IWT, INC. AND SHALL NOT BE USED OR DISCUSSED IN WHOLE OR IN PART WITHOUT IWT'S CONSENT.		Innovative Wireless Technologies, Inc. 1100 Main Street Lynchburg, VA 24504 (434) 316-5230		
		<b>SENTINEL Mine Rescue PMN FCC Label Location</b>		
Drawn By: <b>J. Jarrett</b> Approved By: <b>G. Raulerson</b>	SIZE <b>A</b>	CAGE Code	DWG NO <b>6650-13-0001</b>	REV <b>A</b>
<b>January 15, 2013</b>	Scale		Sheet <b>1</b>	of <b>1</b>