

Rhein Tech Laboratories, Inc.
360 Herndon Parkway
Suite 1400
Herndon, VA 20170
<http://www.rheintech.com>

Client: IWT
Model #: FAP4213-210
Standards: 15.247 & RSS-247
ID's: SP8-FAP4213210/9568A-FAP4213210
Report #: 2018022

Appendix L: Internal Photographs

Please refer to the following pages.

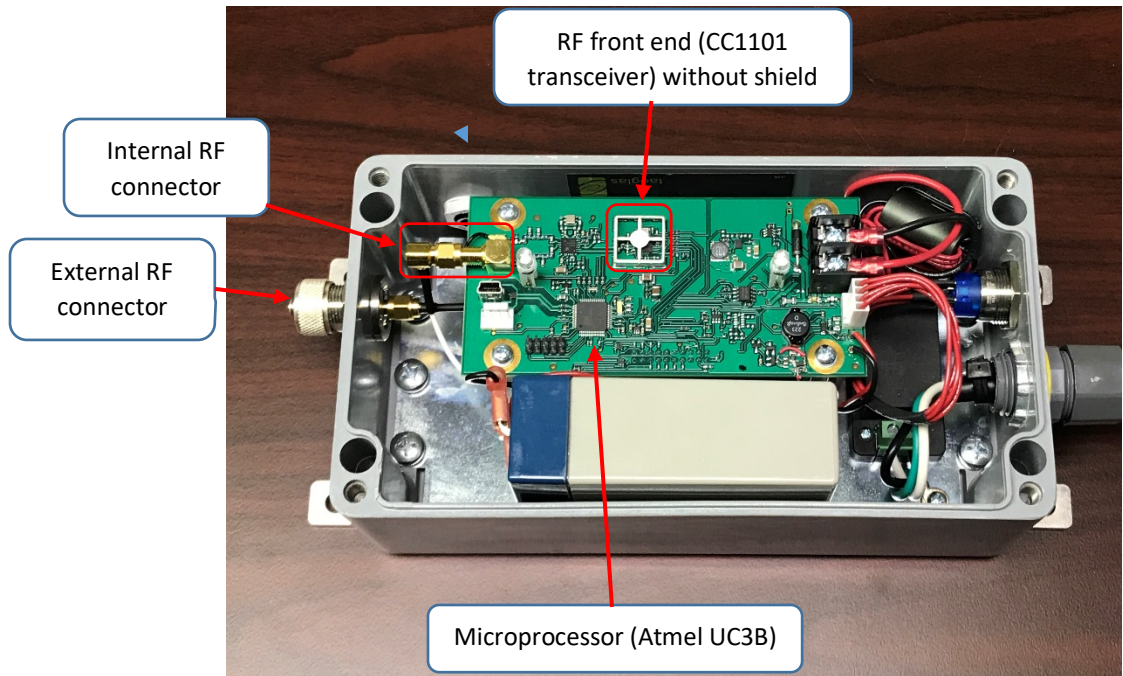


Figure 1 – Internal view of IMN

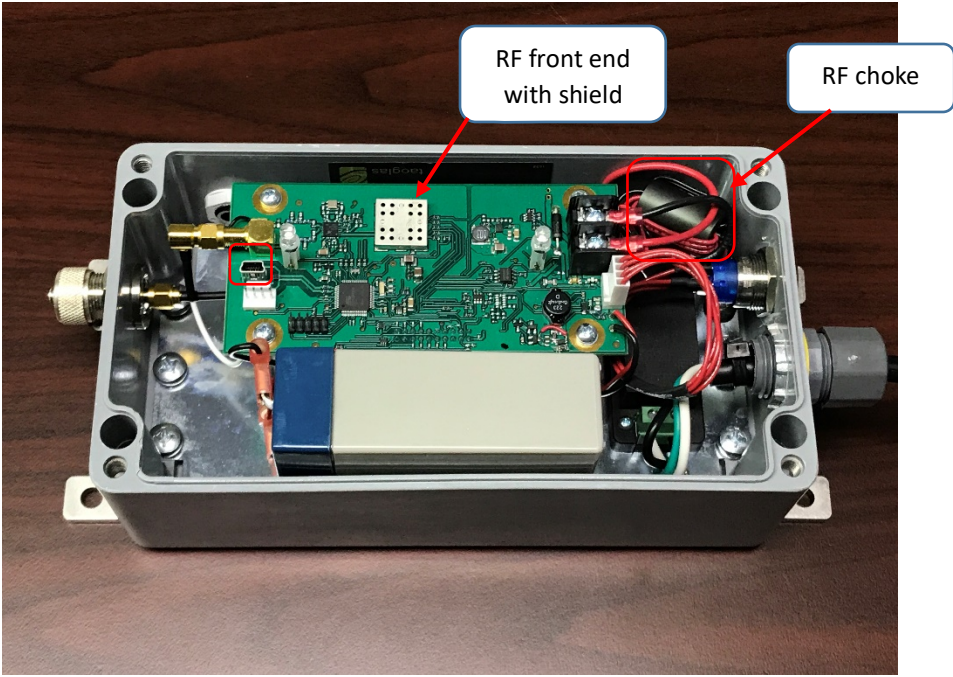


Figure 2 – Internal/Top View of Circuit Board

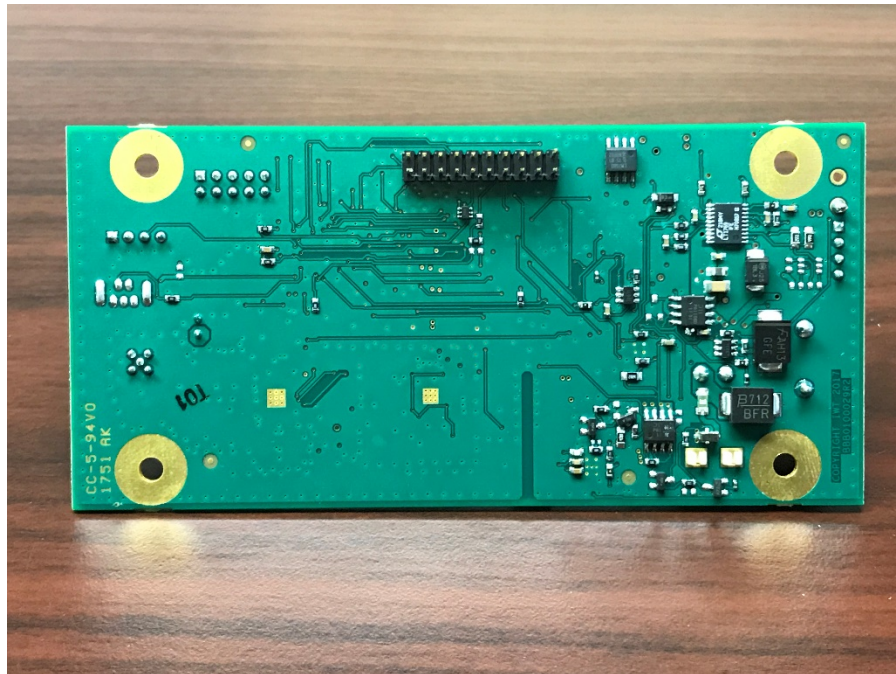


Figure 3 - Bottom side of IMN Circuit Board

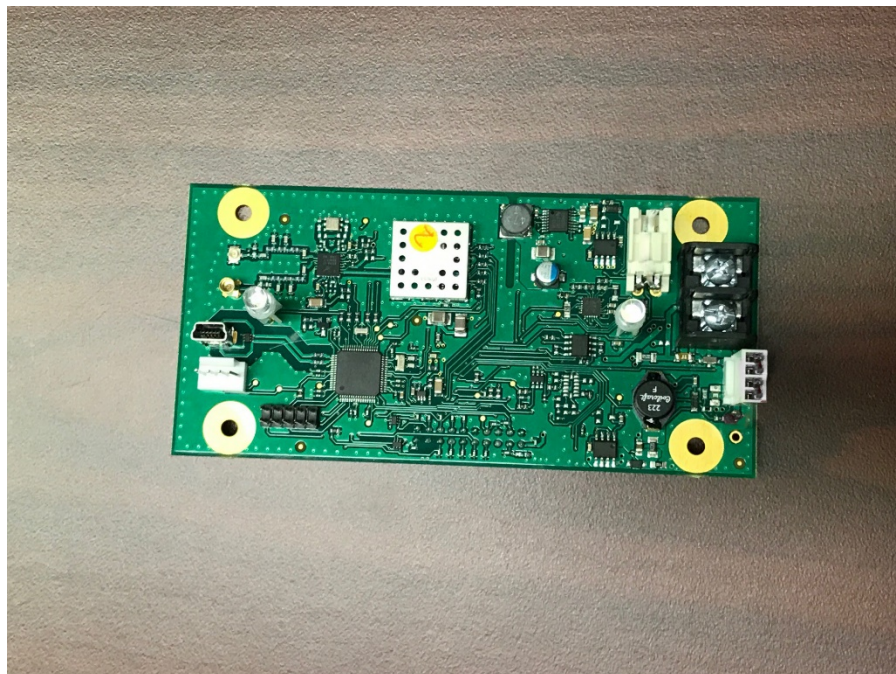


Figure 4 - Top side of IMN Circuit Board, with RF Shield

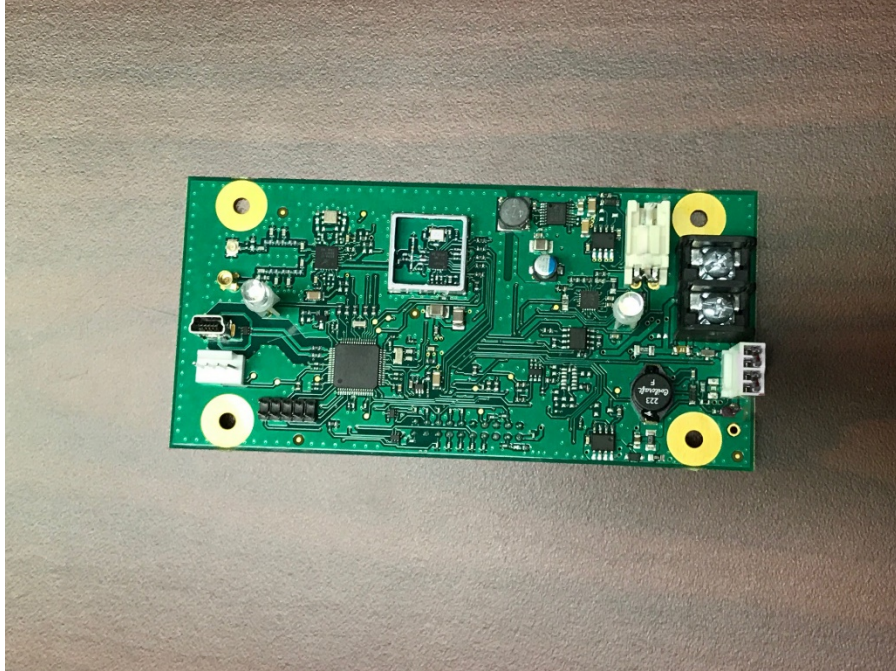


Figure 5 - Top side of IMN Circuit Board, without RF Shield