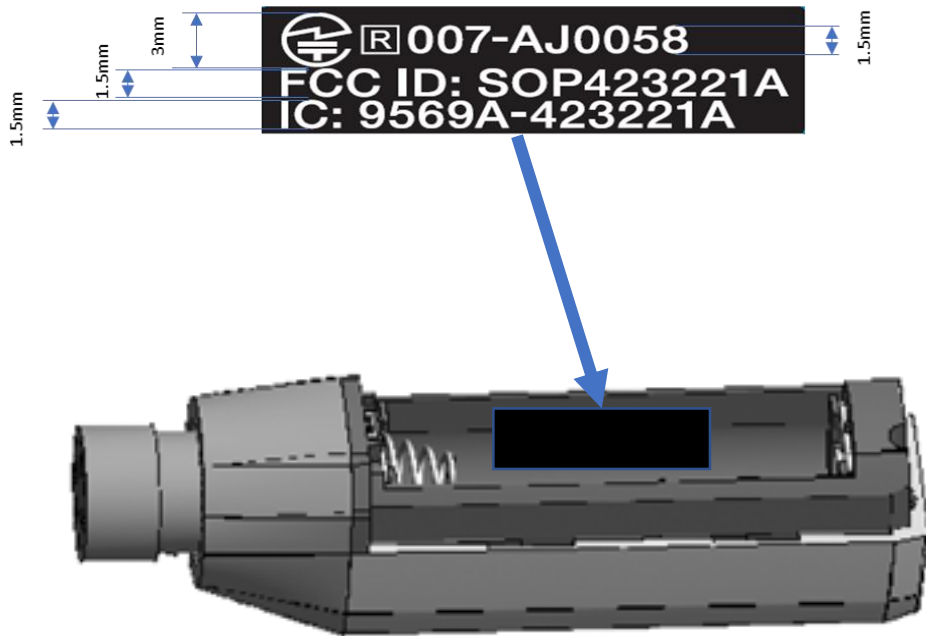


■ WL-30XLRT(Transmitter)



FCC ID and IC No are sure to be recognized by users at the first use as it requires the battery insertion before use.