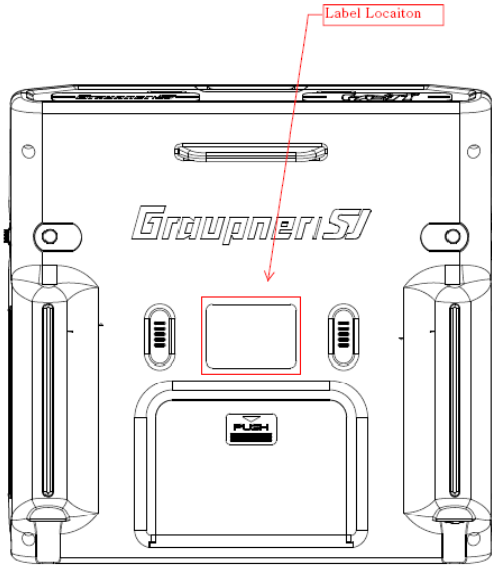


MC-26 Label





Label Location

