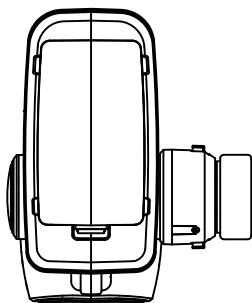
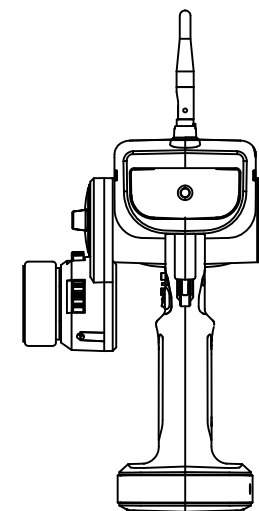
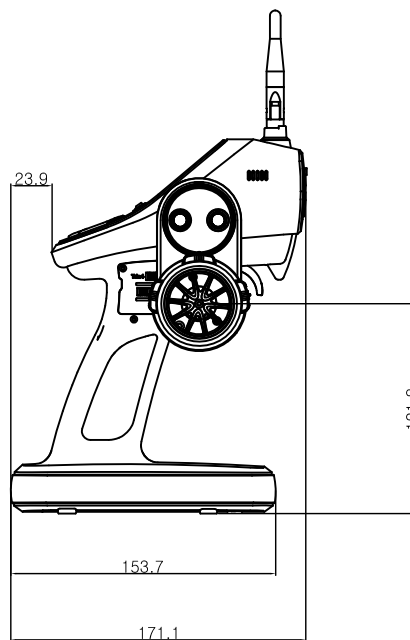
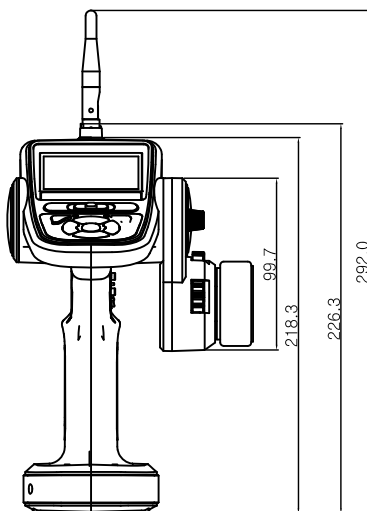


Label Location



	DESCRIPTION	MAT'L	Q'TY	SPECIFICCATION	REMARK
DWG.NO		SCALE	1:1	MODEL	X-8N
DATE	2014.04.22.	Q'TY	1EA	PART	
NAME	L.T.W	UNIT	mm		
APP.BY	K.D.K	MAT'L		BOM NO.	16006200
SJ INCORPORATED				CUSTOMER	SHEET A4