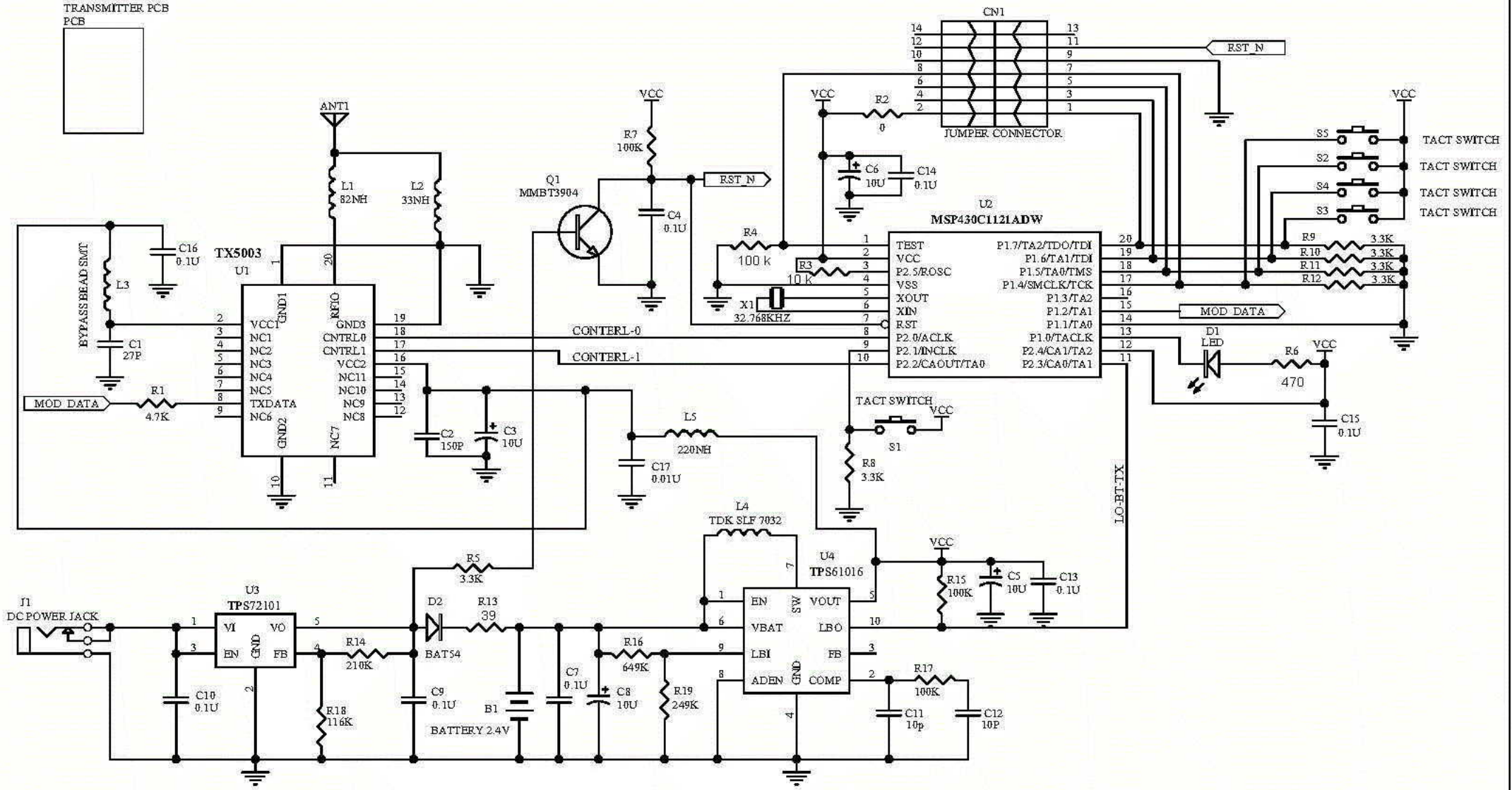


TRANSMITTER PCB
PCB



COMPANY:		ARCO ELECTRONICS LTD.		
TITLE:		5125 RF TRANSMITTER		
SIZE:	A4	DOCUMENT NO.:	ED-705SCH	REV:
FILE:	AR705.SCH	SHEET:	1	OF:
REV:	DESCRIPTION	APPD/DATE	APPROVED:	DATE:
	REVISIONS			

DRAWN:	HZ
DATE:	FEB.6.2004
CHKED:	HZ
DATE:	FEB.6.2004
APPROVED:	LYX
DATE:	FEB.6.2004

REV:	DESCRIPTION	APPD/DATE
	REVISIONS	