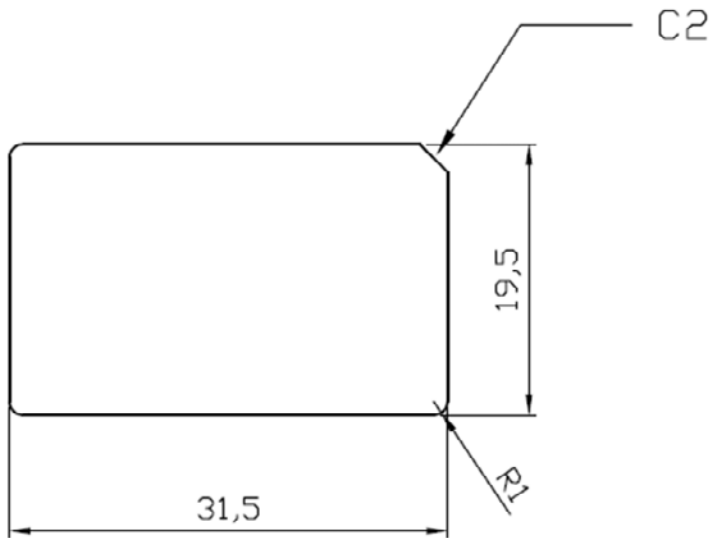


RX300 Label



LABEL SIZE

Network Virtual Desktop

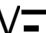
Model : RX300

Mfg. Date :



MSIP-CMM-NCC-RX300

FCC ID : SMJRX3

Input : 5.1V  2.5A

NiComputing[®]

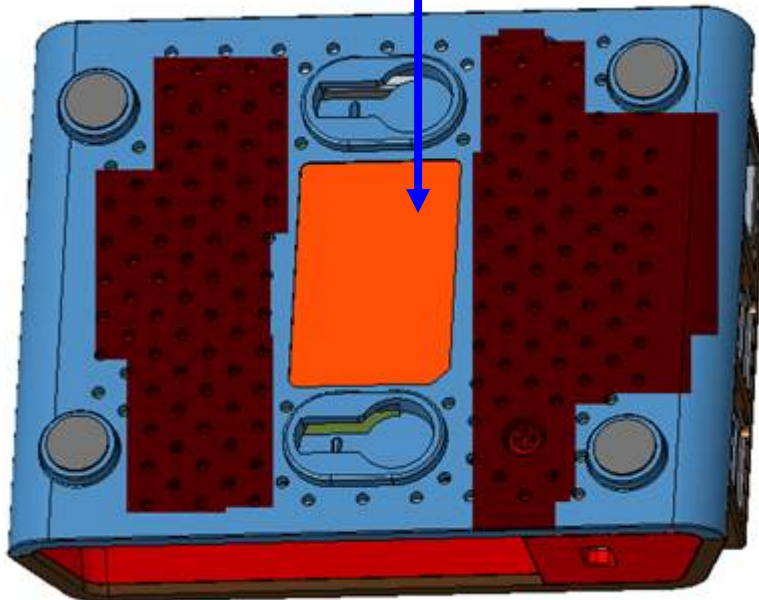
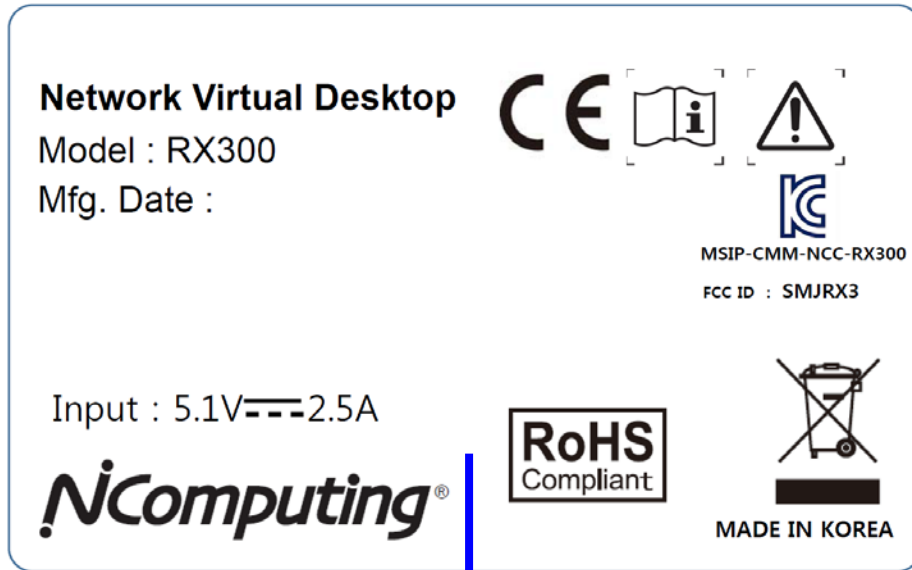


MADE IN KOREA

LABELLING REQUIREMENTS

Labelling Requirements

The sample label shown shall be *permanently affixed* at a conspicuous location on the device and be readily visible to the user at the time of purchase.



< Bottom of EUT >