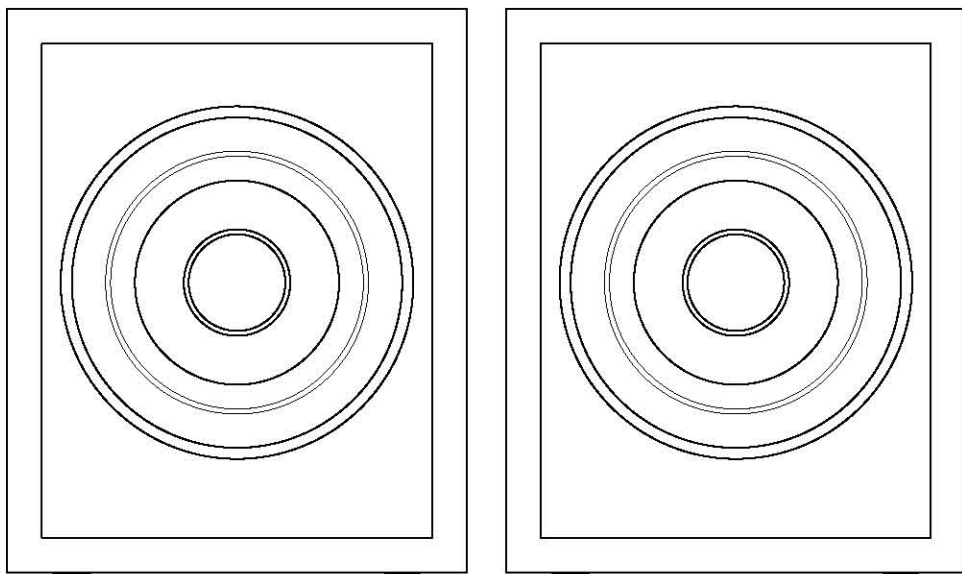


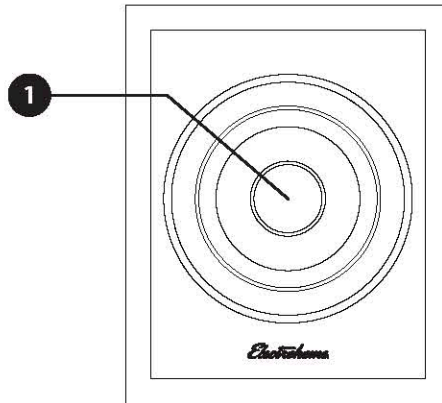
Bookshelf Speakers
(Model: EB10)



PRODUCT INFORMATION

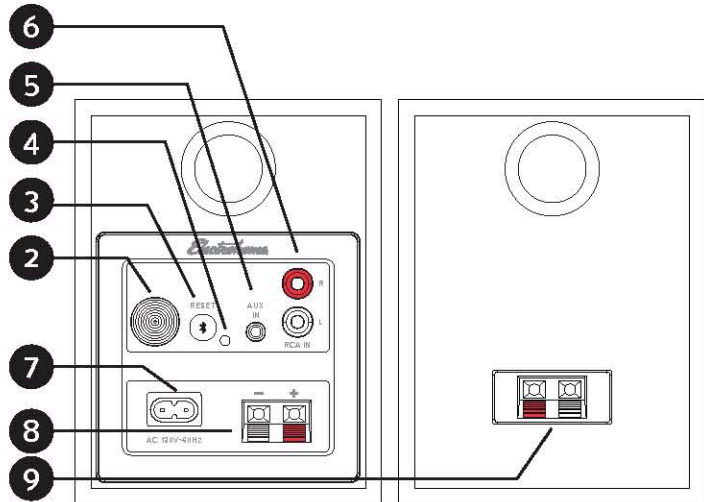
Front

1. Woofer



Back

2. Control Knob
3. Bluetooth® Pairing Reset
4. LED Indicator
5. Aux In
6. RCA In
7. Power Input
8. Speaker Wire Output
9. Speaker Wire Input

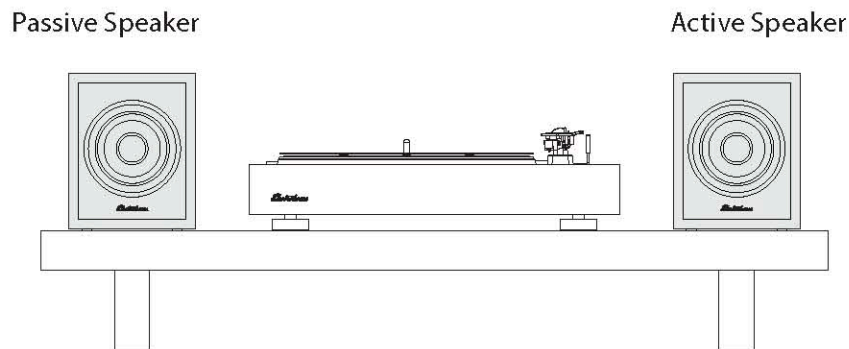


LED Indicator

Color	Meaning
Flashing BLUE	Bluetooth® Pairing Mode
Solid BLUE	Bluetooth® Paired
Solid YELLOW	AUX Source
Solid GREEN	RCA Source
Solid RED	Standby

FIRST TIME SETUP

1. Position the speakers with the Active Speaker on the right and the Passive Speaker on the left.

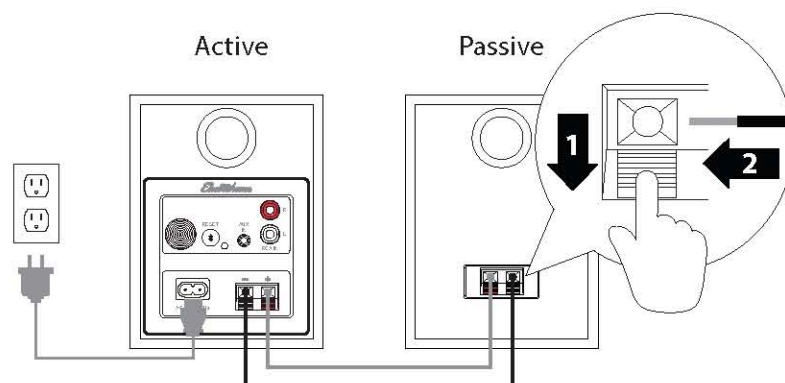


NOTE: If placing the speakers in a cabinet or on a shelf, position the front of the speakers as close as possible to the front edge of the shelf for optimum audio performance.

2. Connect the speaker wire to the spring clips on the back of the Active Speaker and connect the other end of speaker wire to the spring clips on the back of the Passive Speaker.
IMPORTANT: Ensure each wire is connected to the same color binding post on each speaker. Red to red and black to black.

NOTE: The included speaker wire is 8ft. If placing your speakers further than 8ft apart it is recommended to use standard 22 gauge speaker wire to connect the speakers over the longer distance.

3. Connect the power cable to the back of the Active Speaker and connect the other end to a power outlet.

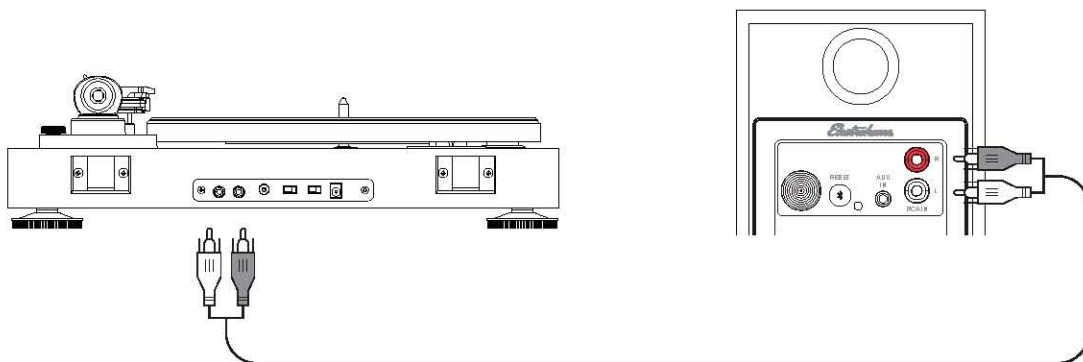


TURNING ON/OFF UNIT

Press the Control Knob to turn on the unit. Hold to turn off the unit.

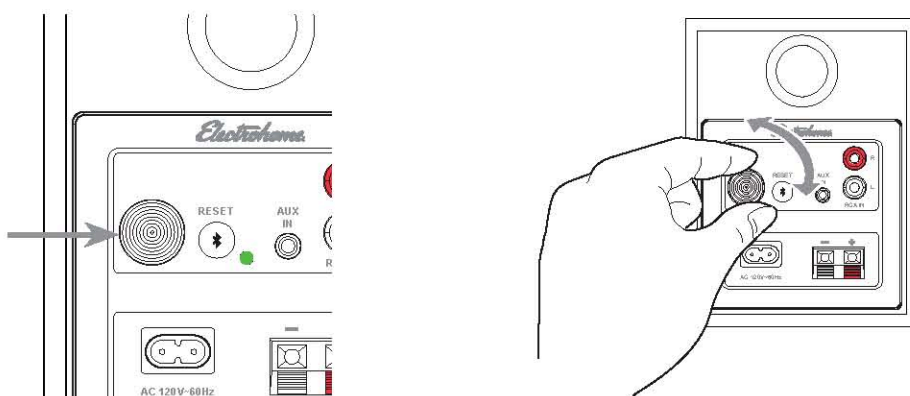
RCA INPUT

1. Connect an RCA cable to your source device (Turntable, Smartphone, Computer...).
2. Connect the other end of the RCA cable to the back of the Active Speaker.



Note: Cable not included

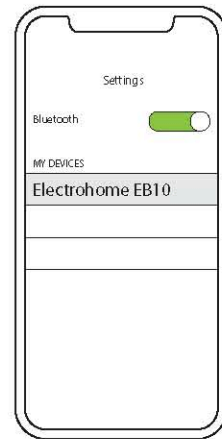
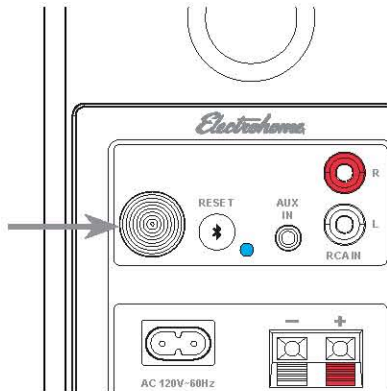
3. Press the Control Knob to select the RCA input (Green LED).
4. Adjust volume on EB10 as well as source device.



IMPORTANT: When connecting a turntable, a phono preamp must be used. Pre-amps are often built into turntables but can also be standalone devices. If your turntable has extremely low volume, a preamp may be needed.

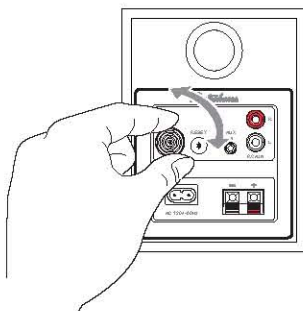
BLUETOOTH® PAIRING

1. Press the Control Knob to select the Bluetooth® input (Blue LED).
2. Pair to “Electrohome EB10” on your source device.



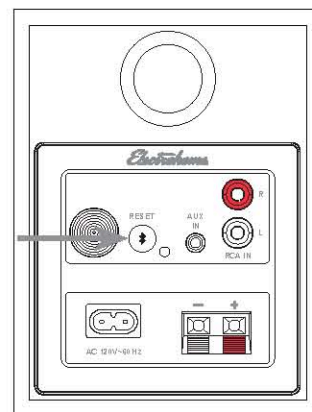
Note: Unit will attempt to auto-pair to the last paired device.

3. Use the Control Knob to adjust volume on the EB10.
Note: Adjust Volume on the source device as well as the EB10.



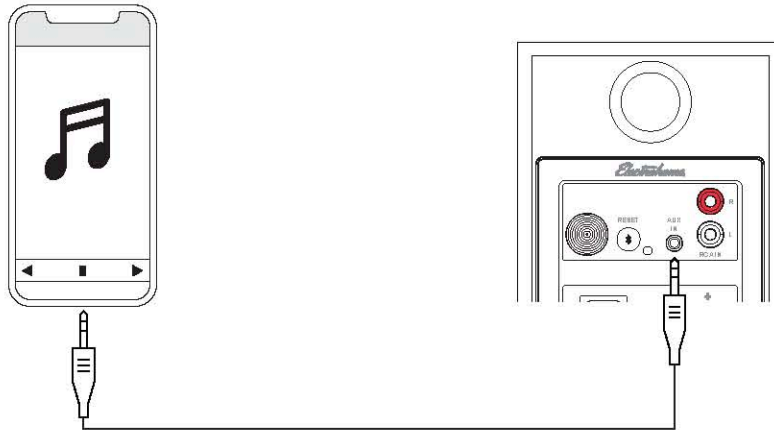
Note: How you access your device's Bluetooth® settings may vary from one manufacturer to another. Maximum line of sight for Power Class 2 Bluetooth® range is 33ft. Obstacles may decrease transmission distance.

4. If your device cannot find “Electrohome EB10”, you can reset Bluetooth® pairing:
Press and hold the Bluetooth® Pairing Reset Button on the back of the unit.



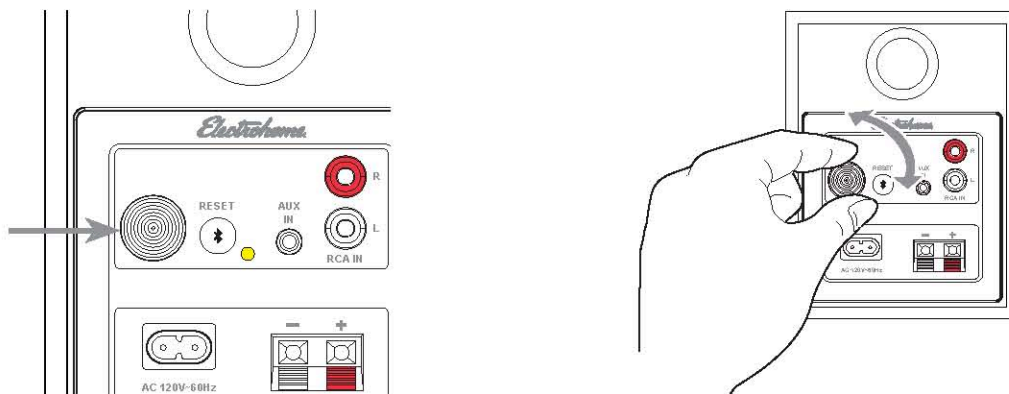
AUX INPUT

1. Connect the AUX cable to your source device (Smartphone, Computer...).
2. Connect the other end of the AUX cable to back of the Active Speaker.



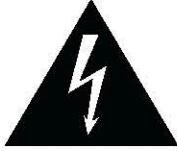
Note: Cable not included.

3. Press the Control Knob to select the AUX input (Yellow LED).
4. Adjust volume on EB10 as well as source device.



IMPORTANT SAFETY INSTRUCTIONS

TO PREVENT FIRE OR SHOCK HAZARD, DO NOT USE THIS PLUG WITH AN EXTENSION CORD, RECEPTACLE OR OTHER OUTLET UNLESS THE BLADES CAN BE FULLY INSERTED TO PREVENT BLADE EXPOSURE. TO PREVENT FIRE OR SHOCK HAZARD, DO NOT EXPOSE THIS APPLIANCE TO RAIN OR MOISTURE.



WARNING: TO REDUCE THE RISK OF ELECTRIC SHOCK DO NOT REMOVE COVER (OR BACK), NO USER SERVICEABLE PARTS INSIDE REFER SERVICING TO QUALIFIED SERVICE PERSONNEL.



The lightning flash with arrowhead symbol within an equilateral triangle is intended to alert the user to the presence of uninsulated dangerous voltage within the product's enclosure that may be of sufficient magnitude to constitute a risk of electric shock to persons.



The exclamation point within an equilateral triangle is intended to alert the user to the presence of important operating and maintenance (servicing) instructions in the literature accompanying the appliance.

1. Read these instructions.
2. Keep these instructions.
3. Heed all warnings.
4. Follow all instructions.
5. Do not use this apparatus near water.
6. Clean only with dry cloth.
7. Do not block any ventilation openings. Install in accordance with the manufacturer's instructions.
8. Do not install near any heat sources such as radiators, heat registers, stoves, or other apparatus (including amplifiers) that produce heat.
9. Do not defeat the safety purpose of the polarized or grounding type plug. A polarized plug has two blades with one wider than the other. A grounding type plug has two blades and a third grounding prong. The wide blade or the third prong is provided for your safety. If the provided plug does not fit into your outlet, consult an electrician for replacement of the obsolete outlet.
10. Protect the power cord from being walked on or pinched particularly at plugs, convenience receptacles, and point where they exit from the apparatus.
11. Only use attachments / accessories specified by the manufacturer.
12. Use only with the cart, stand, tripod, bracket, or table specified by the manufacturer, or sold with the apparatus. When a cart is used, use caution when moving the cart/apparatus combination to avoid injury from tip-over.
13. Unplug this apparatus during lightning storms or when unused for long periods of time.
14. Refer all servicing to qualified service personnel. Servicing is required when the apparatus has been damaged in any way, such as power-supply cord or plug is damaged, liquid has been spilled or objects have fallen into the apparatus, the apparatus has been exposed to rain or moisture, does not operate normally, or has been dropped.
15. This appliance shall not be exposed to dripping or splashing water and no object filled with liquids such as vases shall be placed on the apparatus.
16. Do not overload wall outlet. Use only power source as indicated.
17. Use replacement parts as specified by the manufacturer.
18. The product may be mounted to a wall only if recommended by the manufacturer.
19. Upon completion of any service or repairs to this product, ask the service technician to perform safety checks.
20. Correct Disposal of this product. This marking indicates that this product should not be disposed with other household wastes throughout the EU. To prevent possible harm to the environment or human health from uncontrolled waste disposal, recycle it responsibly to promote the sustainable reuse of material resources. To return your used device, please use the return and collection systems or contact the retailer where the product was purchased. They can take this product for environmental safe recycling.
21. No naked flame sources, such as lighted candles, should be placed on the apparatus.
22. Attention should be drawn to environmental aspects of battery disposal.
23. Use of the apparatus in moderate climates.
24. WARNING: The appliance coupler is used as disconnect device, the disconnect device shall remain readily operable.
25. CAUTION: These servicing instructions are for use by qualified service personnel only. To reduce the risk of electric shock, do not perform any servicing other than that contained in the operating instructions unless you are qualified to do so.
26. Do not install this equipment in a confined or building-in space such as a book case or similar unit, and remain a well ventilation conditions at open site. The ventilation should not be impeded by covering the ventilation openings with items such as newspaper, table-cloths, curtains etc.



This equipment is a Class II or double insulated electrical appliance. It has been designed in such a way that it does not require a safety connection to electrical earth.

FCC Statement

This device complies with Part 15 of the FCC Rules. Operation is subject to the following two conditions: (1) This device may not cause harmful interference, and (2) this device must accept any interference received, including interference that may cause undesired operation.

NOTE: This equipment has been tested and found to comply with the limits for a Class B digital device, pursuant to Part 15 of the FCC Rules. These limits are designed to provide reasonable protection against harmful interference in a residential installation. This equipment generates uses and can radiate radio frequency energy and, if not installed and used in accordance with the instructions, may cause harmful interference to radio communications. However, there is no guarantee that interference will not occur in a particular installation. If this equipment does cause harmful interference to radio or television reception, which can be determined by turning the equipment off and on, the user is encouraged to try to correct the interference by one of the following measures:

- Reorient or relocate the receiving antenna.
- Increase the separation between the equipment and receiver.
- Connect the equipment into an outlet on a circuit different from that to which the receiver is connected.
- Consult the dealer or an experienced radio/TV technician for help.

WARNING: Any changes or modifications not expressly approved by the party responsible for compliance could void the user's authority to operate this equipment.

The device must not be co-located or operating in conjunction with any other antenna or transmitter.

To maintain compliance with the FCC's RF exposure guidelines, place the product at least 20cm from nearby persons.

IC Statement

This device complies with RSS247 of Industry Canada. Cet appareil se conforme à RSS247 de Canada d'Industrie. This device complies with Industry Canada license-exempt RSS standard(s). Operation is subject to the following two conditions: (1) this device may not cause interference, and (2) this device must accept any interference, including interference that may cause undesired operation of the device. appareils radio exempts de licence. Son fonctionnement est sujet aux deux conditions suivantes: (1) le dispositif ne doit pas produire de brouillage préjudiciable, et (2) ce dispositif doit accepter tout brouillage reçu, y compris un brouillage susceptible de provoquer un fonctionnement indésirable.

The device must not be co-located or operating in conjunction with any other antenna or transmitter.

L'appareil ne doit pas être localisé ou fonctionner avec d'autres antennes ou transmetteurs.

This device complies with IC radiation exposure limits set forth for an uncontrolled environment.

Cet appareil est conforme aux limites d'exposition aux rayonnements de la IC établies pour un incontrôlé environnement.

The device should be installed and operated with a minimum distance of 20cm between the radiator and your body.

L'appareil doit être installé et utilisé avec une distance minimale de 20 cm entre le radiateur et votre corps.