

核 准	主 辦
許振軒	許勝欽

電 氣 規 格 書

機種: KEN

5718A0043300

ANT 2.4G_PCB_4015.6_90B_D ASSEM LFP

5718W0043300

ANT 2.4G_PCB_4015.6_90B_D (MIC) ASSEM LFP

日期: 2014/03/20

版次: 1.10



神準科技股份有限公司

S1-WI-RD-005-FORM01-V01

Embedded Single-Band Antenna

5718A0043300 ANT 2.4G_PCB_4015.6_115B_D ASSEM LFP

5718W0043300 ANT 2.4G_PCB_4015.6_115B_D (MIC) ASSEM LFP



Antenna

1. Summary :

Frequency (MHz)	2400 - 2500
Peak Gain (dBi)	1.6
VSWR	2:1
Impedance (Ohms)	50
Dimension (mm)	40 x 15 x 0.6
Connector	IPEX
Cable Phi (mm)	1.13
Cable length (mm)	115
Cable Color	Black

2. Electrical Specification :

Those specifications were specially defined for **Ken** model, and all characteristics were measured under the model's handset testing jig .

2-1. Frequency Band:

Frequency Band	MHz
WLAN	2400~2500

2-2. Impedance

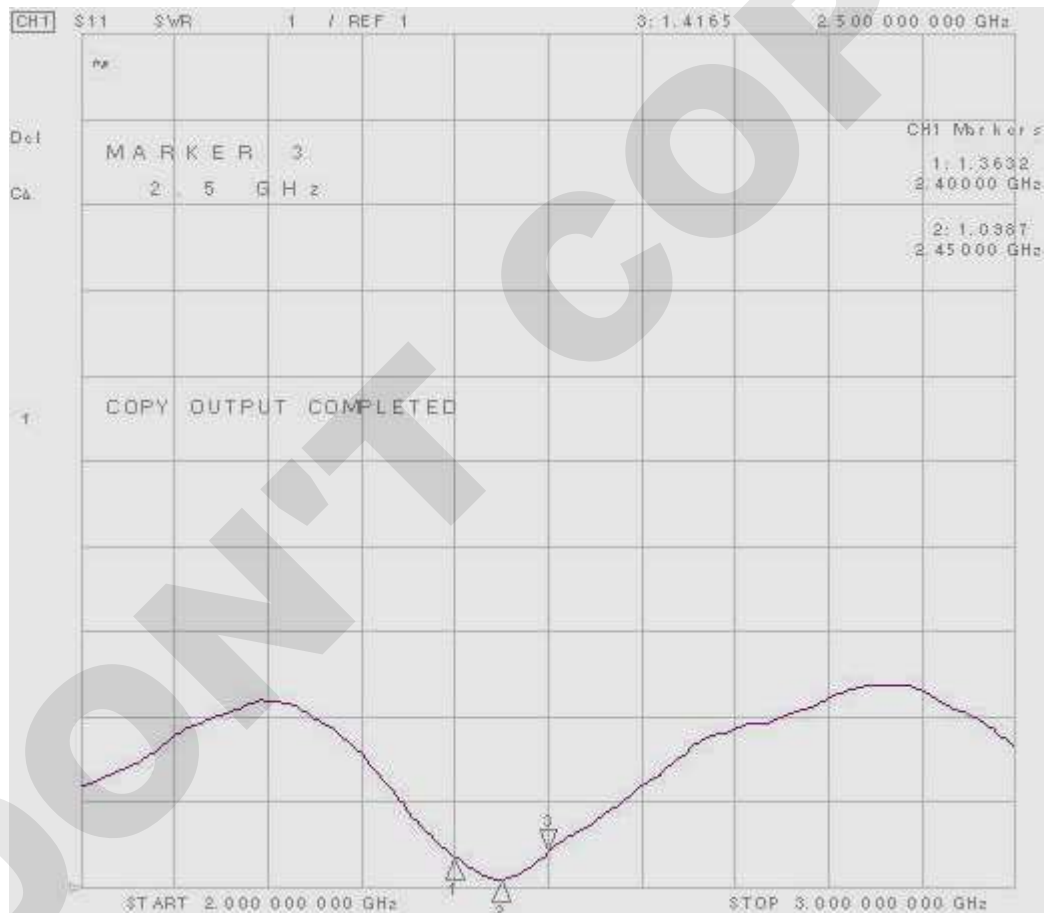
50 ohm nominal

2-3. Matching circuit:

None

2-4. VSWR

Frequency (MHz)	2400	2450	2500
VSWR	1.36	1.09	1.41

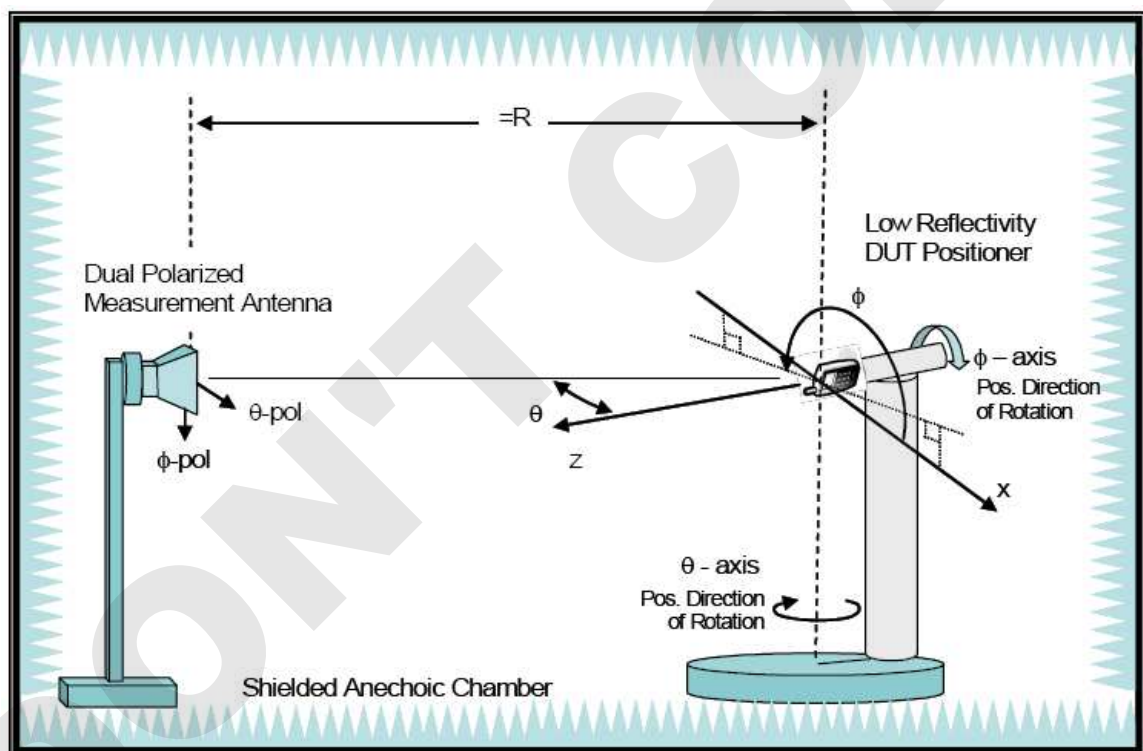


2-5. Gain and Radiation Pattern

2-5.1 Measure method

1. Using a low loss coaxial cable to link a standard handset jig
2. Fixed this handset jig on chamber's rotator plane
3. Linking jig into network analyzer port and using a probing horn antenna to collect data.
4. Using another standard gain horn antenna to calibrated those data

2-5.2 Chamber definition



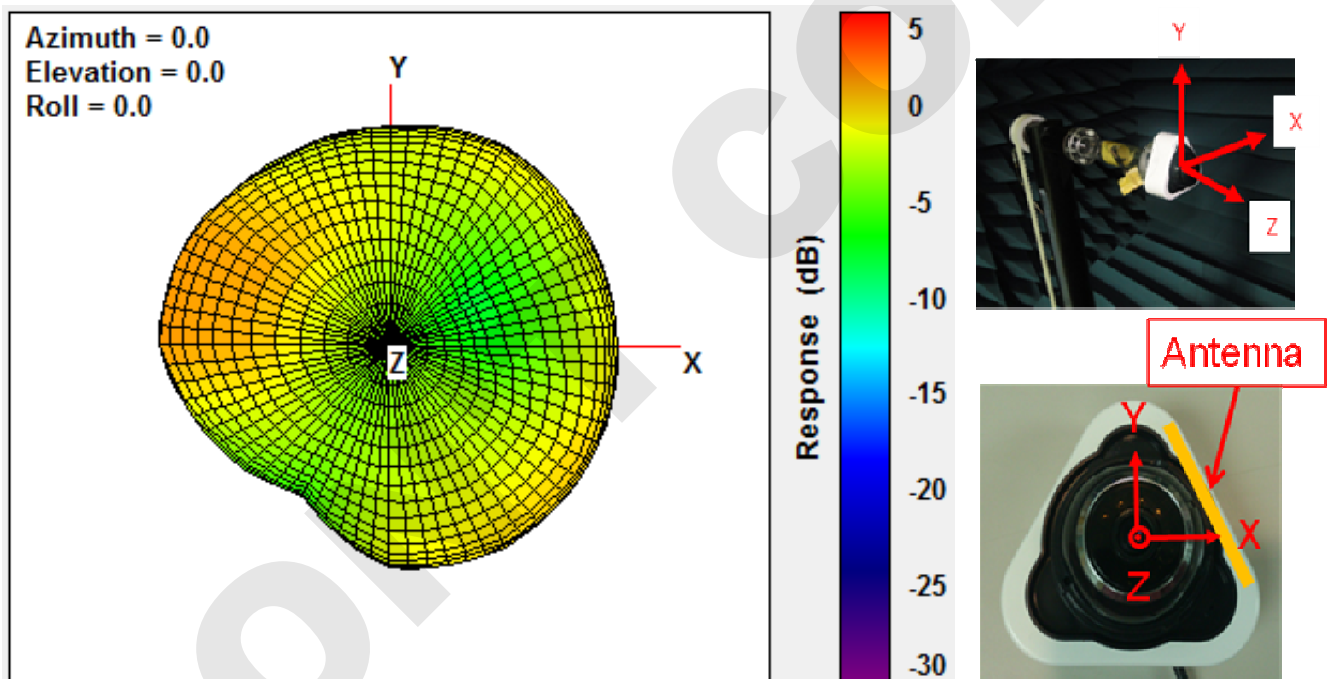
1. An anechoic chamber (8x4mx4) which satisfied far-field condition was applied to avoid multi-path effect
2. The quiet zone region is 40cmx40cmx40cm at the center of rotator
3. The distance between DUT and standard antenna is 4.38 m
4. Standard gain horn antenna (700MHz ~6GHz)

2-5.3 Gain data and radiation pattern

Antenna gain is marked [dBi] and is based on STANDARD HORN antenna.
 The data shows Peak-Gain and Average-Gain.

Frequency	2400	2450	2500
Average Gain (dB)	-1.56	-1.75	-1.97
Efficiency (%)	69.75	66.87	63.59
Peak Gain (dBi)	1.62	1.61	1.58

Table2-5-1 Gain Data.



Pic2-5-1 3D Gain Pattern.

3. Mechanical Specification:

3-1. Mechanical Configuration:

The appearance of the antenna is according to drawing Figure 3-1-1.

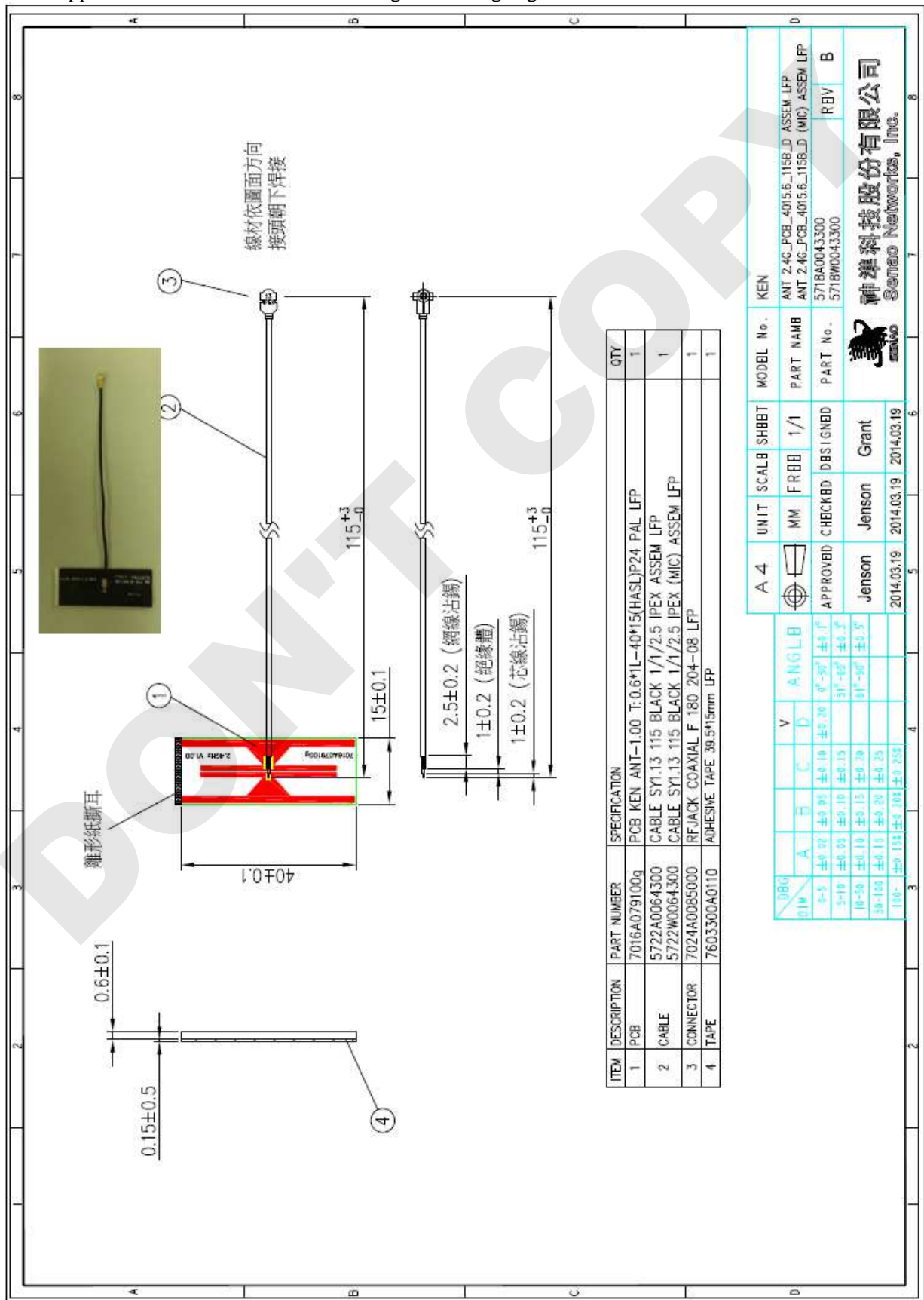


Figure 3-1-1 The antenna drawing

Change history

Change history			
Date	Subject/Comment	Old	New
2014/02/19	Newly create	N/A	1.00
2014/03/20	圖面線長修改為 115	1.00	1.10