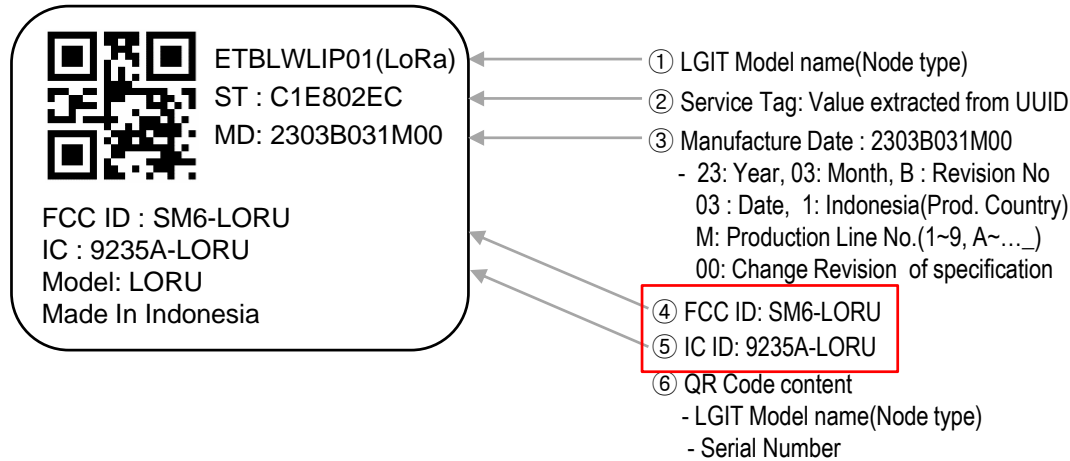


Label Drawing (Silk Label Drawing)



Label

Label Drawing (Silk Label Drawing)

ETBLWLIP01(LoRa)
ST : C1E802EC
MD: 2303B031M00
FCC ID : SM6-LORU
IC : 9235A-LORU
HVIN: LORU
Model: LORU
Made In Indonesia

- ① LGIT Model name(Node type)
- ② Service Tag: Value extracted from UUID
- ③ Manufacture Date : 2303B031M00
- 23: Year, 03: Month, B : Revision No
03 : Date, 1: Indonesia(Prod. Country)
M: Production Line No.(1~9, A~..._)
00: Change Revision of specification
- ④ FCC ID: SM6-LORU
- ⑤ IC ID: 9235A-LORU
- ⑥ QR Code content
- LGIT Model name(Node type)
- Serial Number

