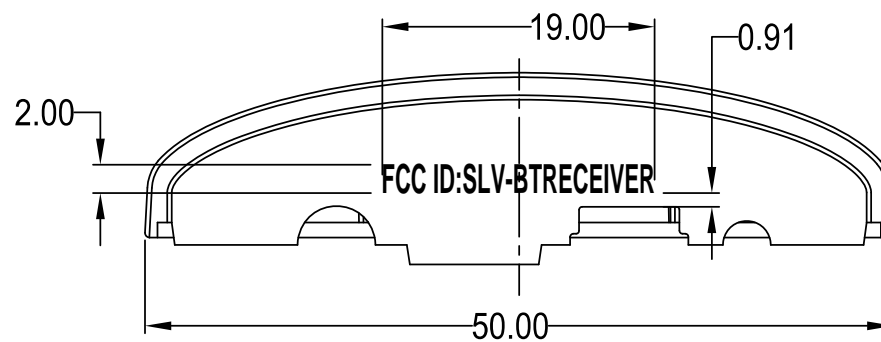
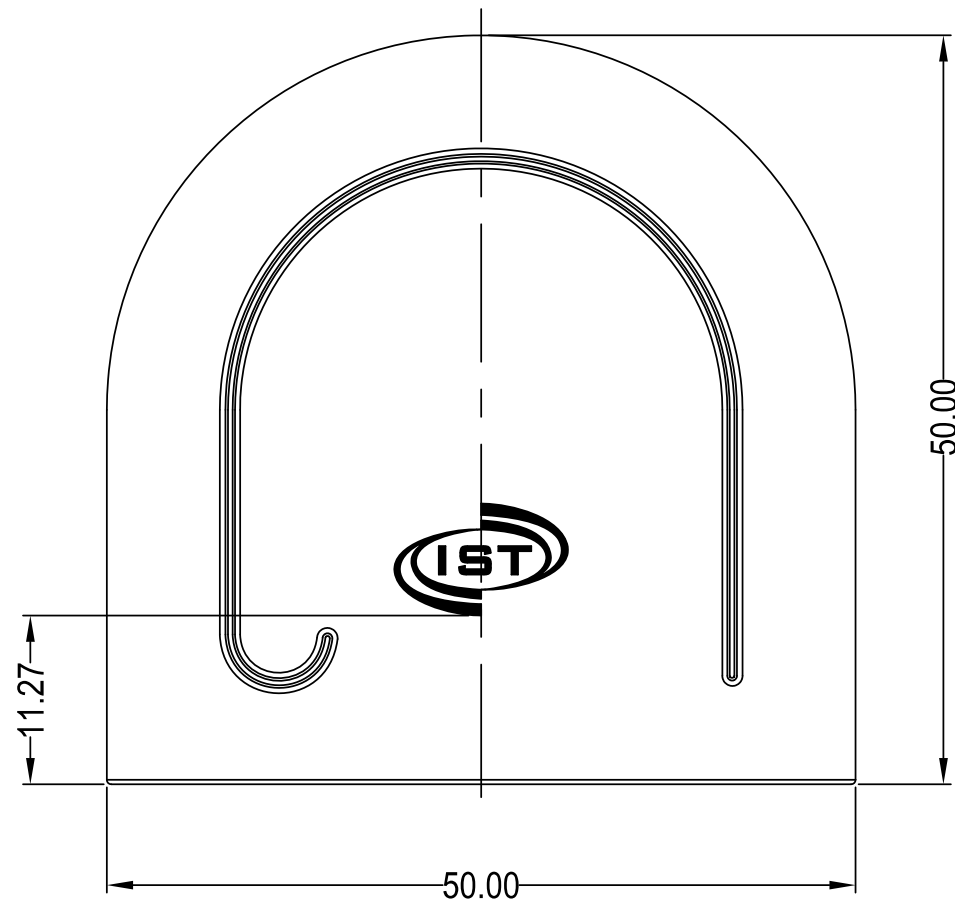


Revision	Description	Date	Drawn
A	Preliminary drawing	13-01-15	Hugo
B	Update Print Symbol	13-02-18	Hugo
C	Modification drawing	13-02-27	Hugo
D	Add The FCC ID	13-03-29	Hugo



Material:	
Color:	
Model:	
Finish:	N/A
Quantity:	1

1.The Print Symbol refer to the AI file
The Print Symbol color:PANTONE 2746c

Drawn by:	Hugo
Checked by:	Tim
Approved by:	CW
Date: 2013-01-15	Page: 2 of 2

Title: Marking-Top-housing

unless otherwise specified dimensions are in mm,
tolerance are ± 0.1 / for angle $\pm 0.5^\circ$, break
sharp edges, do not scale drawing.

SEVECO

D/N: M51590110



P/N: 2201515903

Scale: 2:1