

6

5

4

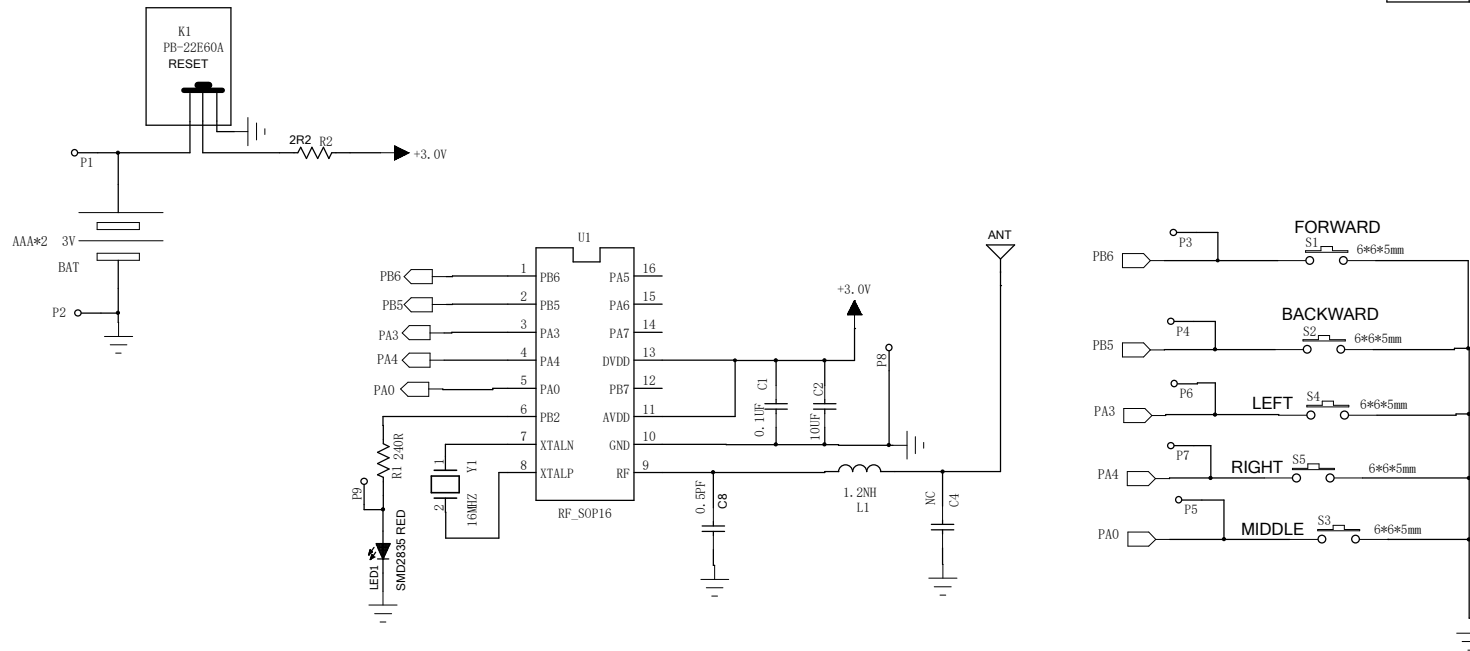
3

2

1

REVISION RECORD

LTR	ECO NO:	APPROVED:	DATE:



COMPANY:			
TITLE: WH1330-WH1333 TX			
DRAWN:	DATED: 2021.08.19	CODE:	SIZE: B
CHECKED:	DATED:	DRAWING NO:	
QUALITY CONTROL:	DATED:	REV: 1.8	
RELEASED:	DATED:	SCALE:	
SHEET: 1 OF 2			

D

C

B

A

D

C

B

A