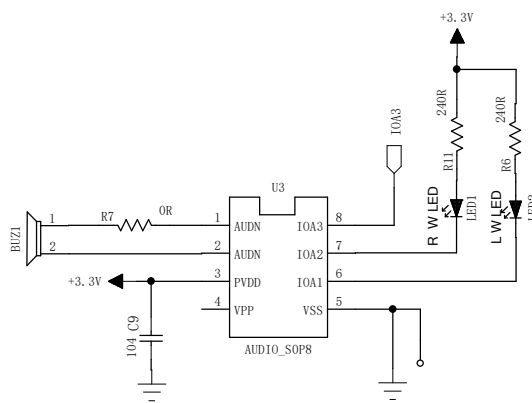
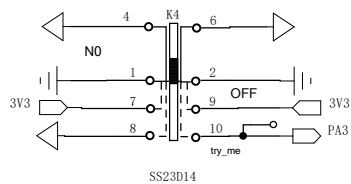
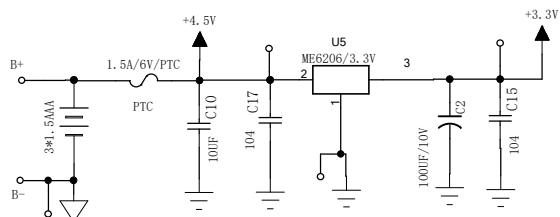
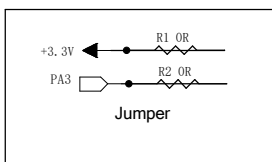
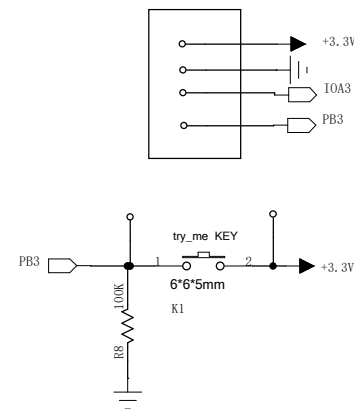


MAIN PCB



VOICE PCB



Drawn:	Dated: 2020.10.16		
Checked:	Dated:	Model NO.: WH1330-1333RX	REV: 1.4
Approved:	Dated:	File Name:	Sheet NO.: