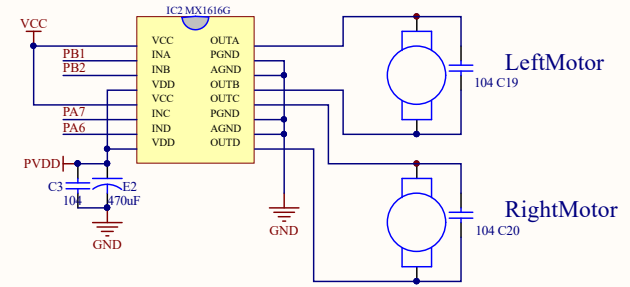
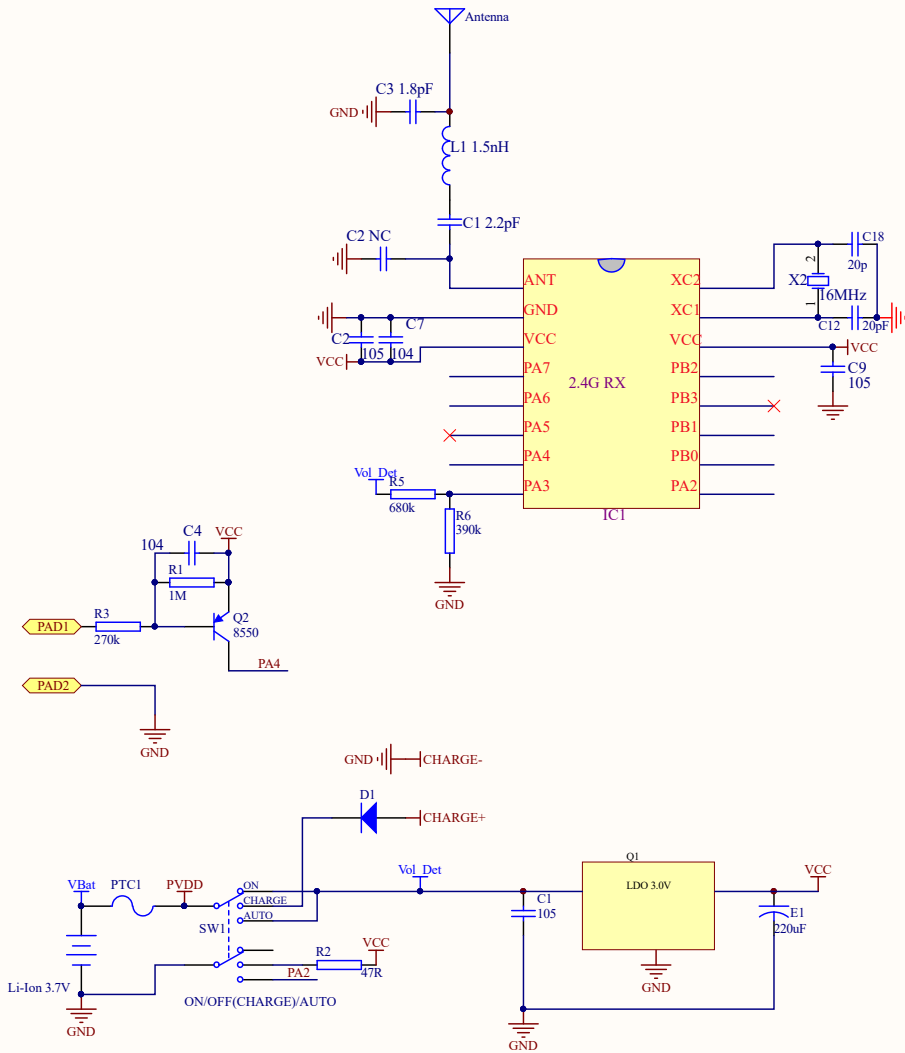


Shark_RX_V07C



Title		
Size	Number	Revision
B		
Date:	4/11/2022	Sheet of
File:	C:\SizeToProject\Shark_RX_V07C.SchDoc	Drawn By: