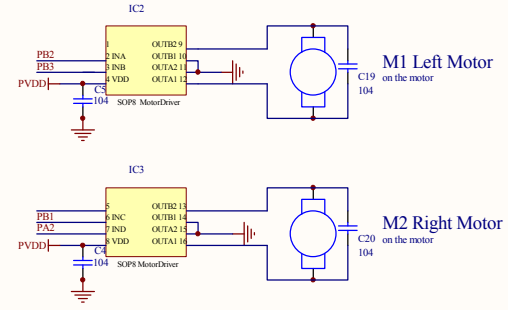
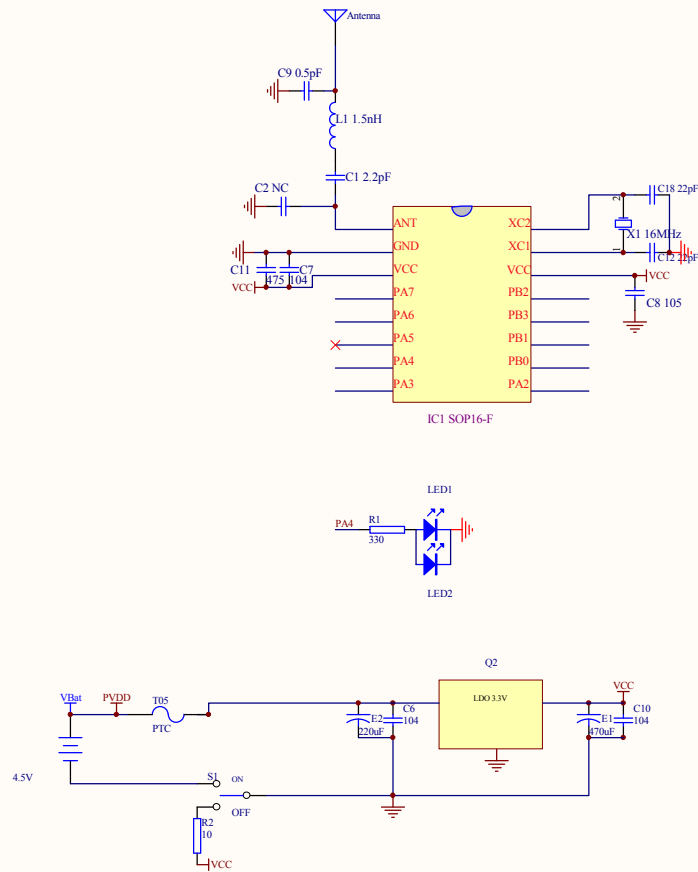


Centipede_RX_V06C2



Title		
Size	Number	Revision
B		
Date:	12-Jul-2022	Sheet of
File:	D:\PCB\新建文件夹(2)\Shark_RX_V06C2.dwg	Drawn By: