

6

5

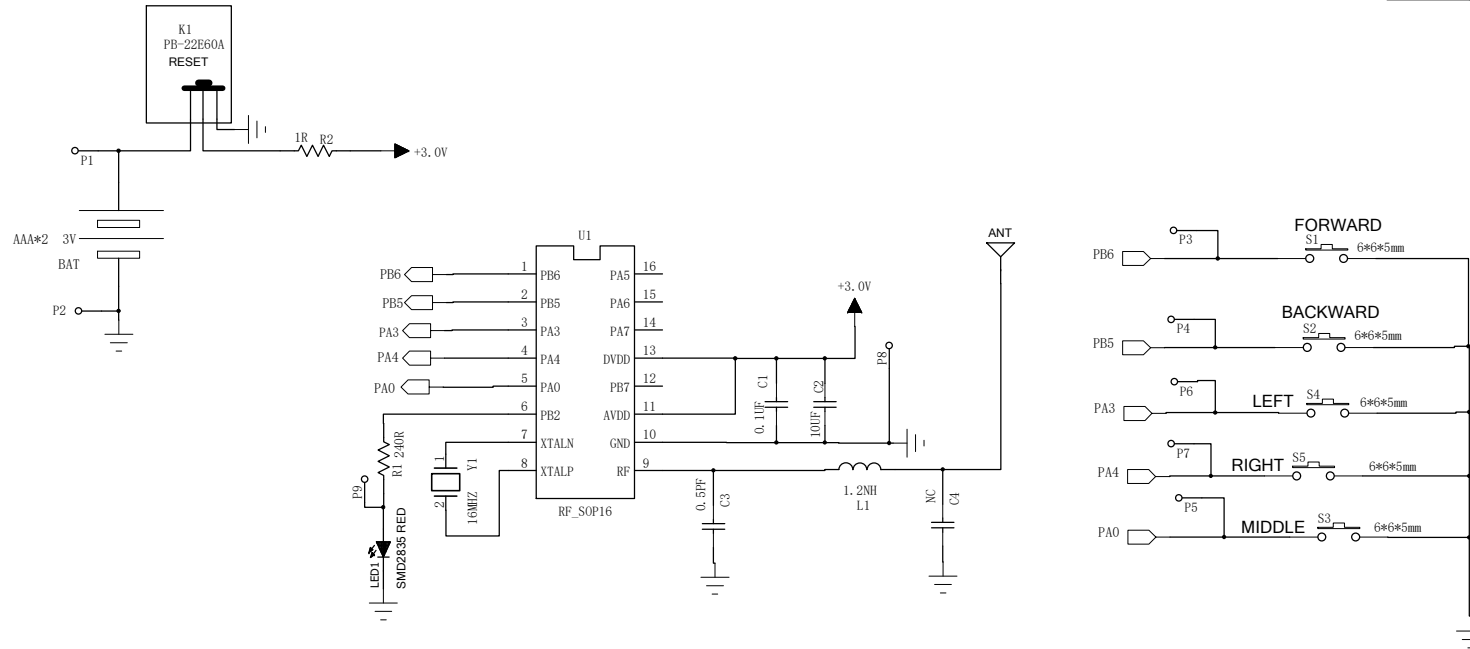
4

3

2

1

REVISION RECORD			
LTR	ECO NO:	APPROVED:	DATE:



COMPANY:			
TITLE: WH1132-WH1135 TX			
CODE:	SIZE: B	DRAWING NO:	REV: 1.8
SCALE:			SHEET: 1 OF 2

DRAWN:	DATED: 2021.08.19
CHECKED:	DATED:
QUALITY CONTROL:	DATED:
RELEASED:	DATED:

D

D

C

C

B

B

A

A