



### Colour Changing Bluetooth Water Speakers Item No. 313351



Please read these instructions thoroughly before use and retain for future reference

### Guarantee

This product is guaranteed for twelve months from the date of original purchase. If any defect should occur due to faulty materials or workmanship, the unit will either be replaced or refunded at our discretion.

You will need to have your receipt or proof of purchase.

### The following conditions apply:

- The product must be returned to the retailer with original proof of purchase.
- It is only valid in the UK.
- It does not cover wear and tear, damage, misuse or consumable parts.
- The product must be correctly installed and operated in accordance with the instructions contained in the instruction manual.
- The product must be used solely for domestic purposes.
- The guarantee will be rendered invalid if the product is re-sold or has been damaged by inexpert repair.
- The guarantee is in addition to, and does not diminish your statutory or legal rights.

### Cleaning & Maintenance

Unplug the product from the supply if it is left unattended and before cleaning. NEVER immerse the product into water and use a dry cloth for cleaning.

### Do's and Don'ts

Read the following recommendations before using the speaker. Following these you will be able to enjoy the product for many years.

- Do not expose the speaker to liquid, moisture or humidity to avoid the product's internal circuit being affected.
- Don't use abrasive cleaning solvents to clean the speaker.
- Do not expose the speaker to extremely high or low temperature as this will shorten the life of electronic devices or distort certain plastic parts.
- Don't dispose of the speaker in a fire as it will result in an explosion.
- Don't expose the speaker to contact with sharp objects as this will cause scratches and damage.
- Don't let the speaker drop on to the floor. The internal circuitry might get damaged.
- Don't attempt to disassemble the speaker as it may get damaged if you are not professional.
- Do not expose the speakers to heat or fire. Avoid storage in direct sunlight.
- Do not subject the speakers to mechanical shock.
- Don't put the real fish.

### Specifications

Bluetooth specification	Bluetooth 2.1
Operating distance	10 meters (max.)
Frequency response	100Hz~18KHz
External power supply	DC 12V
Speaker power	1 x 5W
Product size	20x20x120cm

is a trademark on a registered trademark of Bluetooth SIG Inc.

**Guidelines for protection of the environment**  
This appliance should not be put into the domestic garbage at the end of its useful life, but must be disposed of at a central point for recycling of electric and electronic domestic appliances. This symbol on appliance, instruction manual and packaging puts your attention to this important issue. The materials used in this appliance can be recycled. By recycling used domestic appliances you contribute an important push to the protection of our environment. Ask your local authorities for information regarding the point of recollection.

B&M L24 8RJ  
Made in China



### Instructions for use

Please read all instructions carefully

### Getting started

Remove the speaker from the box  
Remove any packaging from the product  
Place the packaging inside the box and store for safekeeping

### In the box

Bluetooth Bubble Speakers  
Lid of acrylic tube  
AUX Cable  
DC 12V adaptor  
Instruction Manual  
Plastic fish x 7pcs

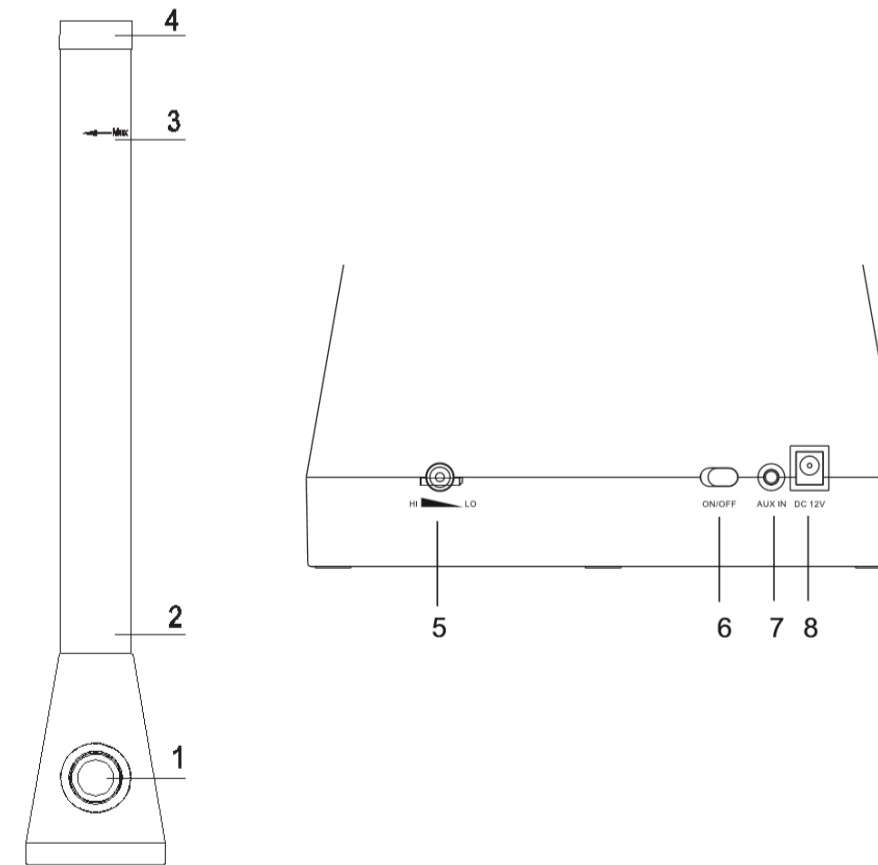
### Features

Fish tube speaker Bluetooth device.  
7 colours of LED light , and they will turn on by cycle random.  
Water can be changed by yourself.

### Important Safety Instructions

- When using any electrical product, basic safety precautions should always be followed including the following:
- Always ensure that the voltage on the rating label corresponds to the mains voltage in your home.
- Incorrect operation and improper use can damage the product and cause injury to the user.
- Do not use the product if it has been dropped or damaged in any way. In case of damage, take the unit in for examination and/ or repair by an authorised service agent.
- Never immerse the unit in water or any other liquid for cleaning purposes.
- Keep the unit away from heat sources, direct sunlight, humidity, water and any other liquids.
- Do not operate the unit if it has been exposed to water, moisture or any other liquids to prevent against electric shock, explosion and/or injury to yourself and damage to the unit.
- Repairs to electrical equipment should only be performed by a qualified electrician. Improper repairs may place the user at serious risk.
- Do not use the unit with wet hands.
- Do not put objects into any of the openings.
- Keep the unit free from dust, lint etc.
- Do not use this unit for anything other than its intended use.
- Keep the unit out of reach of small children.
- This product is not a toy.
- Do not use abrasive cleaning solvents to clean.
- Always disconnect from the mains after use.
- Indoor use only.

### Product Diagram



1. Speaker
2. Water Tank
3. Maximum Water Level Mark
4. Lid
5. Bubbles Knob Control
6. Bluetooth Function ON/OFF Switch
7. Aux Input
8. DC 12V

### INSTRUCTION FOR USE

#### Fill the Distilled Water

Please place your speaker on a flat surface. Fill the tap water and put the fish to the water tank. Water injection rate is not exceeding the maximum water level, then put on the lid for closing.

#### Connection to the Power Supply:

Plug the main lead into the Mains socket located at back of your speaker ensuring that the plug is pushed fully into the socket. Plug the other end of the mains lead into a wall socket and switch on the wall socket.

#### Pairing the speaker with Bluetooth devices (Phone or Music Device)

Remove AUX cable from AUX input (7)  
Turn ON the Bluetooth function ON/OFF switch you will hear "Bluetooth music play system has been turned on", from speaker and you also hear "Bluetooth waiting for pairing" after 20 second  
Turn on the Bluetooth function on your Device (Mobile Phone or Tablet). Please refer to manufacturer's instructions on enabling Bluetooth on your device.  
Once you have turned on Bluetooth on your device, select the device "**BOOMBTZ5**" from the list of available Bluetooth devices.

If required, enter the password '0000' to confirm to pairing.  
Once paired successfully, you will hear "Bluetooth pairing successfully" from speaker .

The speaker will remember this device and will pair automatically when the device's Bluetooth is activated and in range. You do not need to pair any previously connected devices again. Please refer to your device's user manual for further information.

#### Function Summary:

##### Listening to Music

Once the speaker is paired with your device you can stream music wirelessly through the speaker. Should you encounter any problems while streaming please refer your device's user manual for further information.

**When you are listening to music, you need to control the volume up/volume down/Next track/Previous track/Pause/Play through your source device.**

##### AUX cable

You may also connect any device with a socket using the 3.5mm audio cable (included). Connect this cable to your device and to the AUX input (7).

**Note: When connect AUX cable, the BT mode will disconnect.**

##### Adjust the number of bubbles

1. To increase the number of bubbles, please rotate anti-clockwise of the control knob
2. To reduce the number of bubbles, please rotate clockwise of the control knob.

**Note: Do not over tighten the bubble level control. This will damage the control and render it unusable.**

This device complies with Part 15 of the FCC Rules. Operation is subject to the following two conditions: (1) this device may not cause harmful interference, and (2) this device must accept any interference received, including interference that may cause undesired operation.

Changes or modifications not expressly approved by the party responsible for compliance could void the user's authority to operate the equipment.

NOTE: This equipment has been tested and found to comply with the limits for a Class B digital device, pursuant to Part 15 of the FCC Rules. These limits are designed to provide reasonable protection against harmful interference in a residential installation. This equipment generates, uses instructions, may cause harmful interference to radio communications. However, there is no guarantee that interference will not occur in a particular installation. If this equipment does cause harmful interference to radio or television reception, which can be determined by turning the equipment off and on, the user is encouraged to try to correct the interference by one or more of the following measures:

- Reorient or relocate the receiving antenna.
- Increase the separation between the equipment and receiver.
- Connect the equipment into an outlet on a circuit different from that to which the receiver is connected.
- Consult the dealer or an experienced radio/TV technician for help.