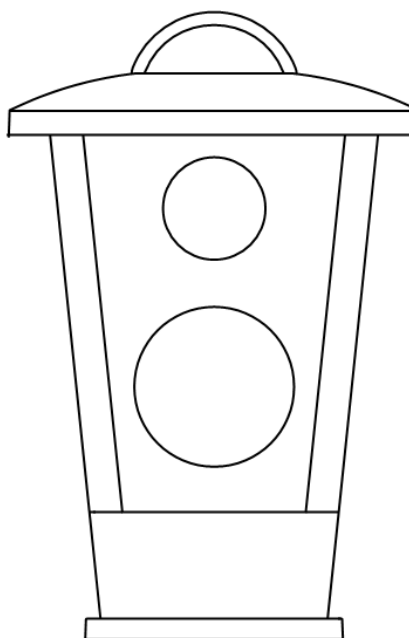
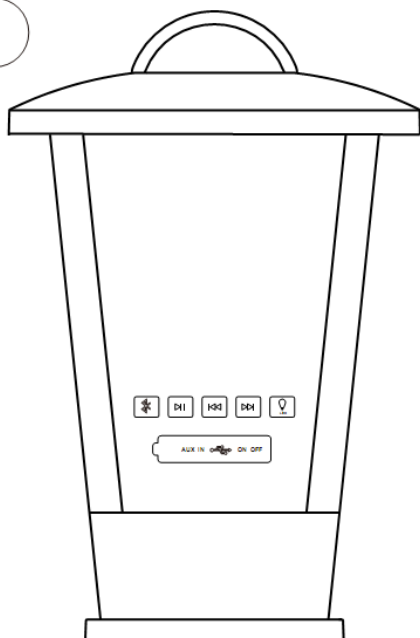
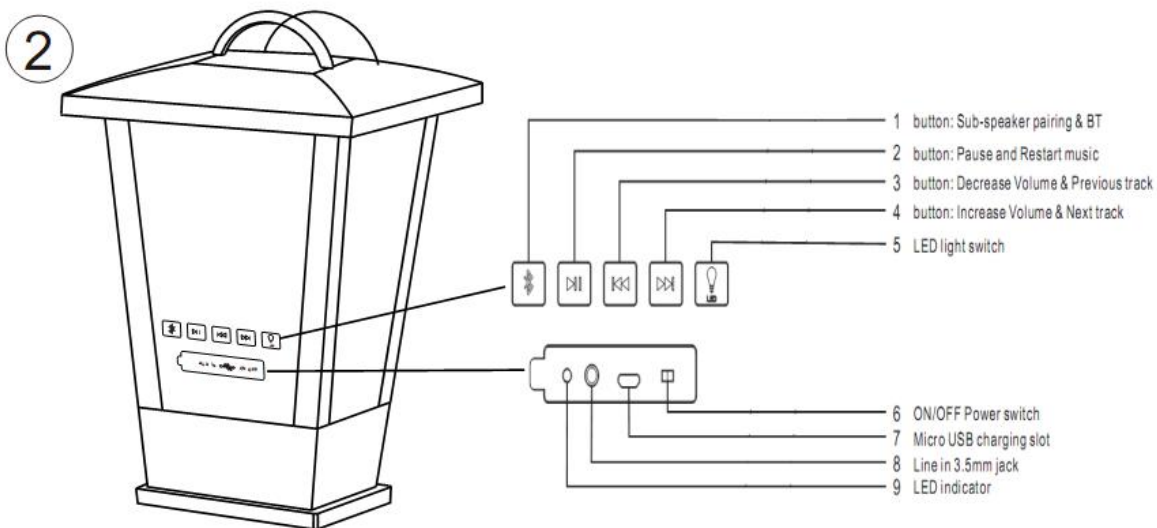


## Quick Guide for B210D

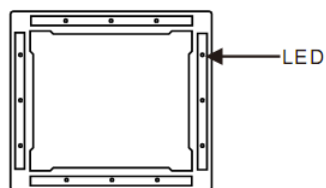
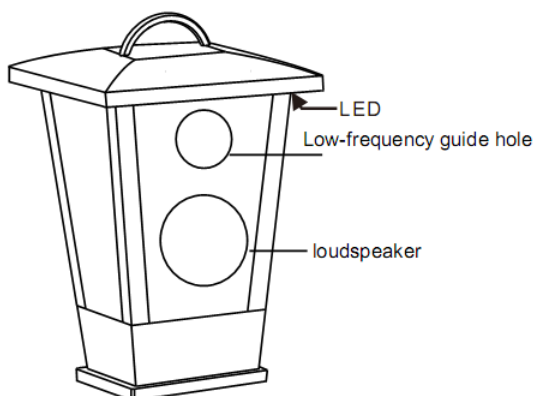
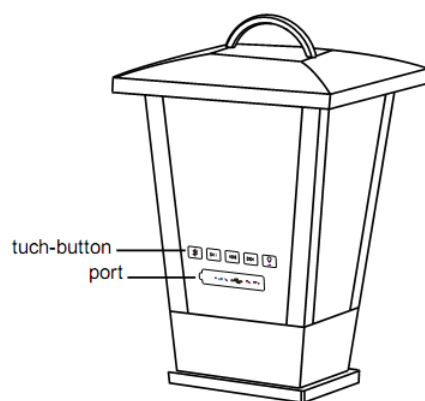
1



INCOUD IN



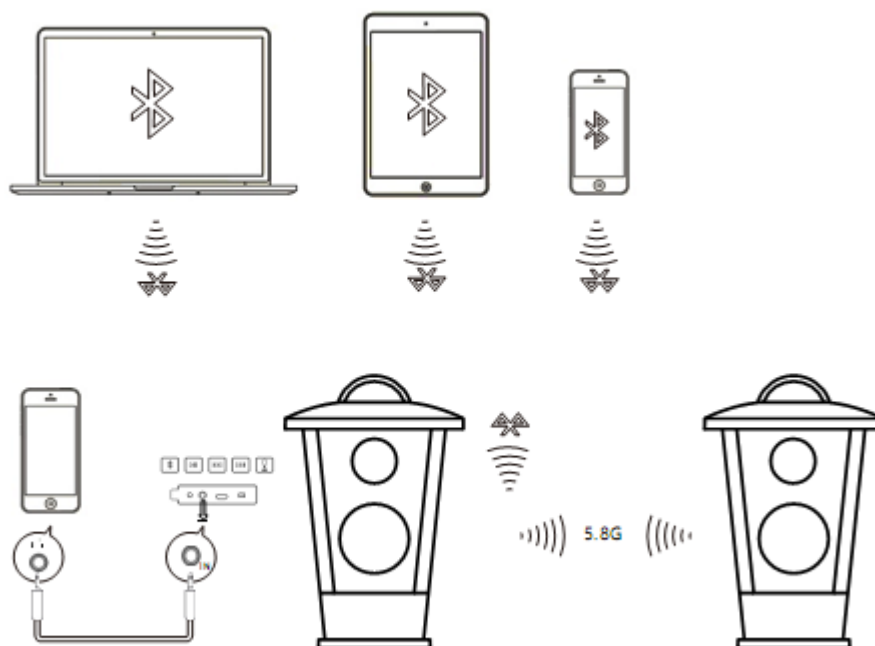
3



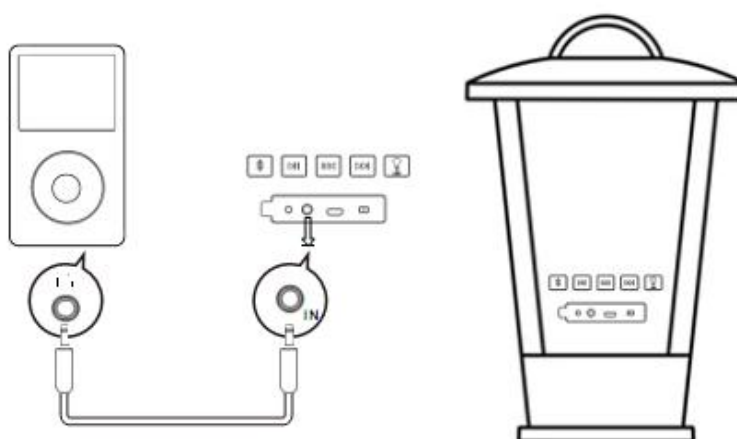
## USE ENVIRONMENT :

There are two ways to connect a B210D speaker to your Bluetooth device via a Bluetooth wireless connection or an AUX cable. Such as iPad, iPhone, Android phone or laptop. To get more powerful sound. Two, three or more 210D speakers can be connected via a 5.8G wireless connection.

4



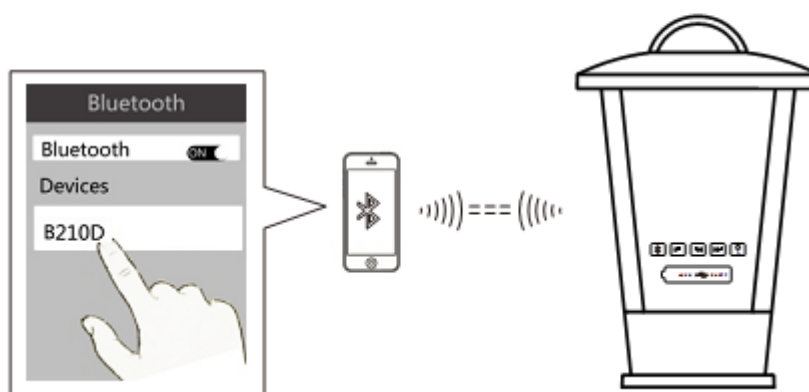
Through the 3.5mm AUX cable, you can also connect the speakers to the audio device. Such as an MP3 player.



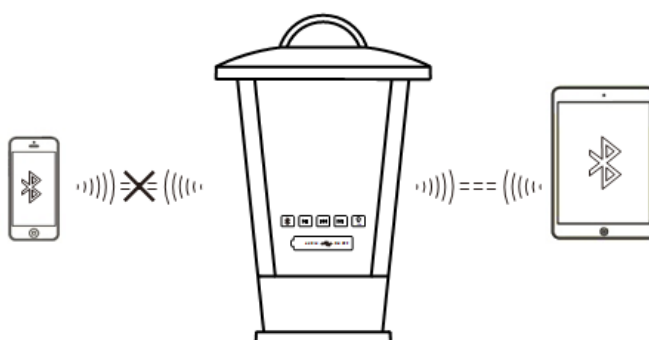
## OPEN AND CONNECT:

Switch the power switch to the ON position and enter the Bluetooth pairing status. The blue LED flashes quickly. Turn on the Bluetooth function on your Bluetooth device and search for B210D and click OK. The success of the blue light is on. The next time you turn on the B210D, the speaker will automatically connect to the last paired device.

5

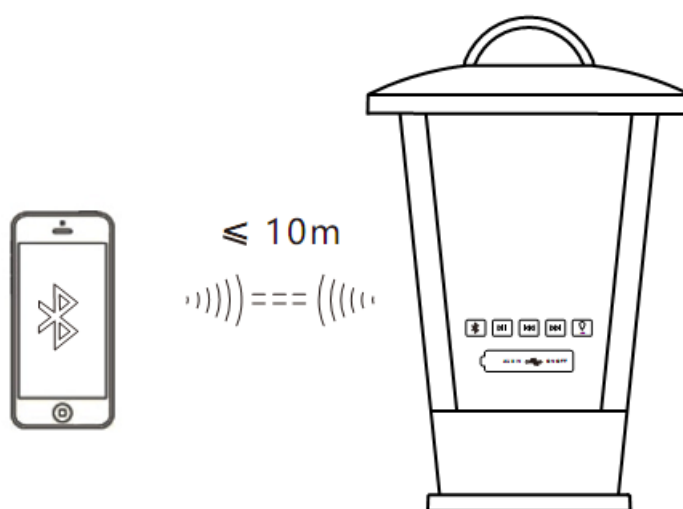


Note: Connect the B210D to another Bluetooth device. Please turn off Bluetooth on the current Bluetooth device.

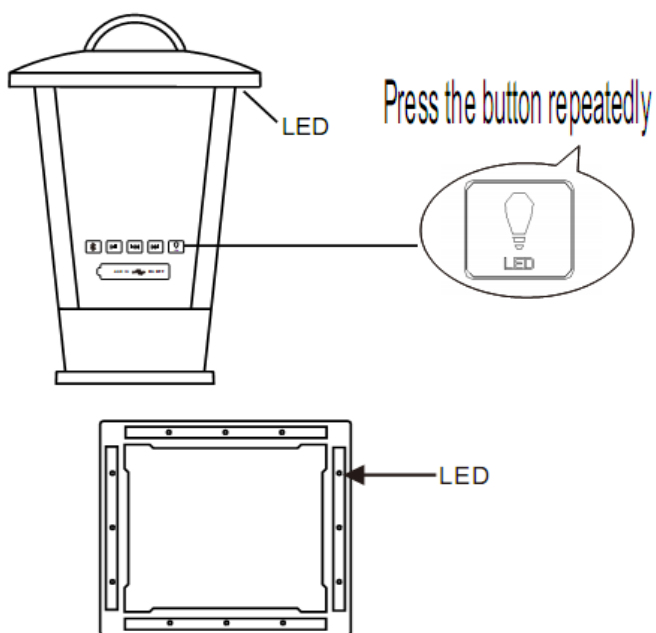


**PLAYING:**

The music transmission distance is 10m, which may affect the distance or interruption due to obstructions between the device and the B210D (such as walls or other equipment operating at the same frequency nearby).

**6****LED LIGHTS UP AND OFF**

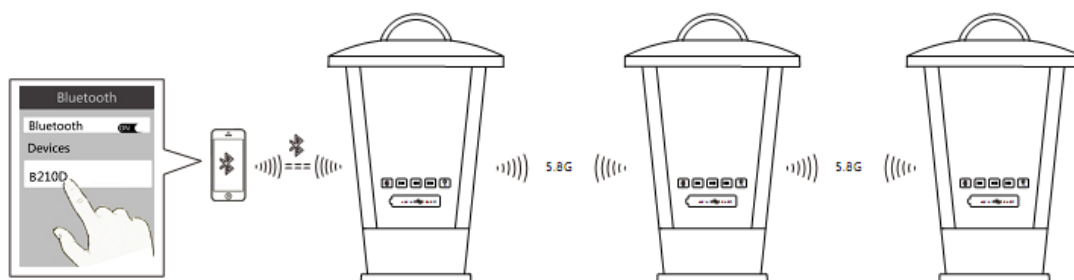
Press this button to turn On or OFF the LED.lights



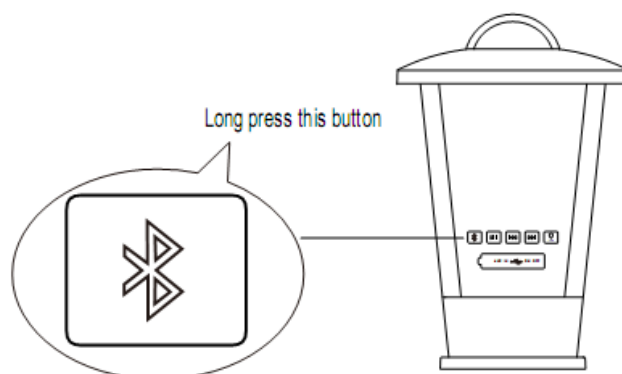
### MULTIPLE B210D SPEAKER TO PLAY SYNC

First according to (5) operation connect B210D with the phone or other Bluetooth devices.to connected, the second or more B210D long press the Bluetooth key to automatically connect the host B210D to play music.

7



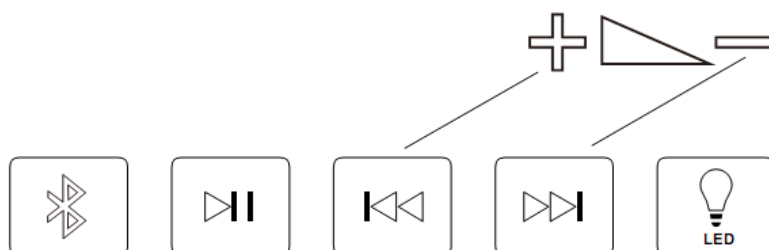
8





Switch power on then long press the Bluetooth key hear of prompt beep sound, SECOND B210D connect FIRST B210D via 5.8GHz wireless technology .At the same time play music sync.

- SONG SLECTION AND VOLUME ADJUSTMENT

9

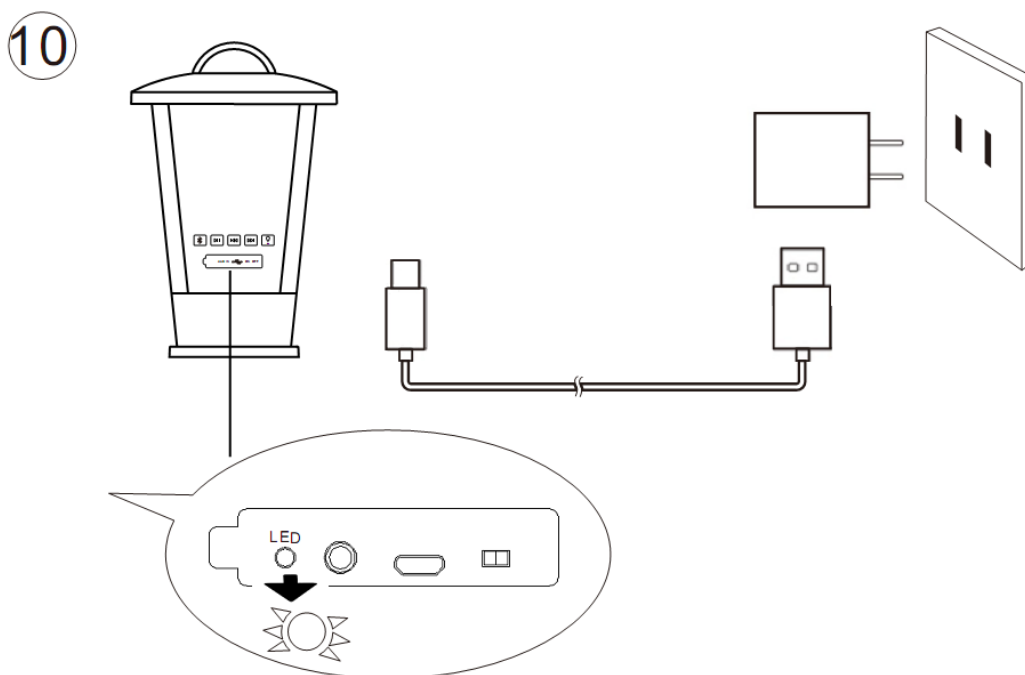


Short press  this key for the previous track selection, long press for the volume reduction

function; short press  this button for the next track selection, long press for the volume increase function

## CHARGING

In any state, including the shutdown, insert the microUSB with micro usb cable to your iphone charger, the red light is on, you can charge the speaker, filled with the red light goes out.



- **PARAMETER**

**Bluetooth Version: 2.1+EDR, 5.8GHZ**

**Frequency: 2.402~2.480GHZ ISM band, 5729-5797MHz**

**Distance: 10m (open space)**

**Rated Power Output: 5W TMD 10%**

**Frequency Response: 100HZ-18KHZ**

**S/N Ratio: 80dB**

**Power: Micro USB 5V 1.5A**

**Battery: 3.7V 4400MA**

**Power Consumption: 5W**

**Temperature and Humidity: 0°C to 45°C, 5% to 90% humidity, suitable for a variety of climate work. -40°C to 60°C and 5% to 95% humidity for storage.**

**Product Size: 7.75 " \*7 " \*11.75 "**

**Net Weight: 1.1kg**



This device complies with Part 15 of the FCC Rules. Operation is subject to the following two conditions: (1) this device may not cause harmful interference, and (2) this device must accept any interference received, including interference that may cause undesired operation.

Changes or modifications not expressly approved by the party responsible for compliance could void the user's authority to operate the equipment.

NOTE: This equipment has been tested and found to comply with the limits for a Class B digital device, pursuant to Part 15 of the FCC Rules. These limits are designed to provide reasonable protection against harmful interference in a residential installation. This equipment generates, uses instructions, may cause harmful interference to radio communications. However, there is no guarantee that interference will not occur in a particular installation. If this equipment does cause harmful interference to radio or television reception, which can be determined by turning the equipment off and on, the user is encouraged to try to correct the interference by one or more of the following measures:

- Reorient or relocate the receiving antenna.
- Increase the separation between the equipment and receiver.
- Connect the equipment into an outlet on a circuit different from that to which the receiver is connected.
- Consult the dealer or an experienced radio/TV technician for help.