

4

3

2

1

7

F

F

E

E

D

D

C

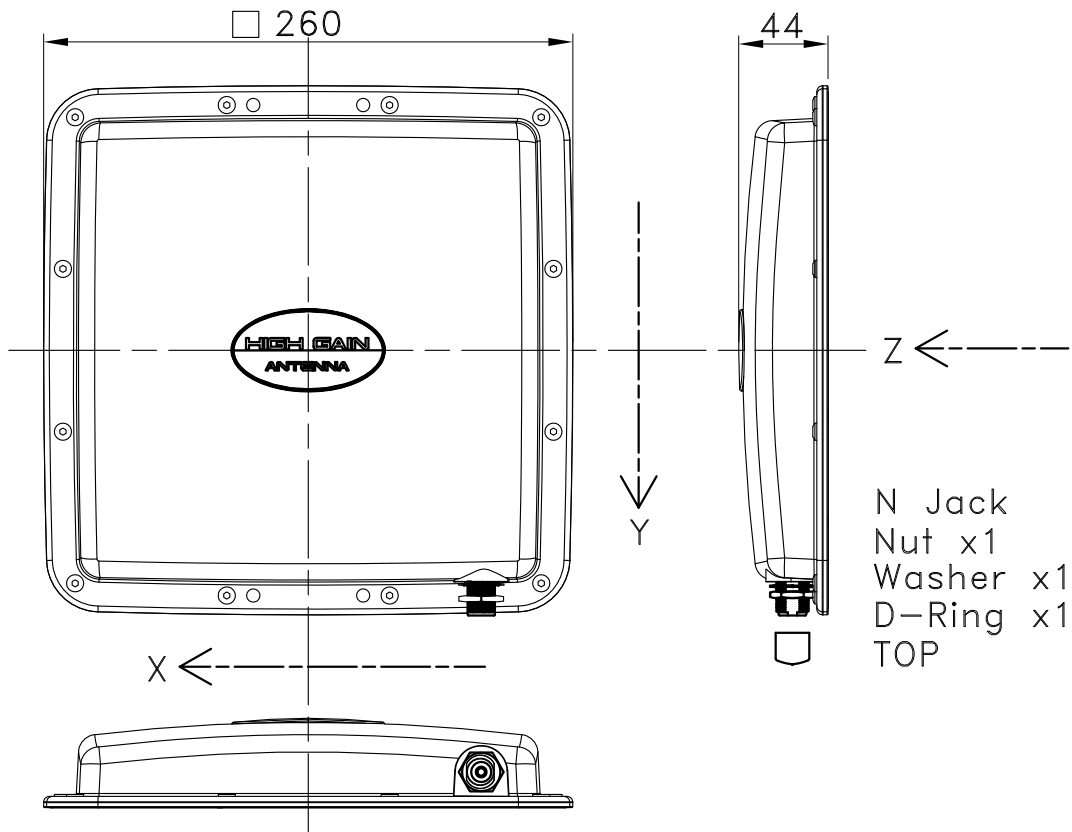
C

B

B

A

A



N Jack  
Nut x1  
Washer x1  
D-Ring x1  
TOP

### Electrical Properties

Frequency Range	5150~5850 MHz
Impedance	50Ω
V.S.W.R.	≤2.0@5150~5250/5450~5750 MHz ≤2.5@5250~5450/5750~5850 MHz
Radiation	Omni
Gain	16±1 dBi
Polarization	Vertical
Wave Length , type	Patch
Beam Width(±3dB)	30°±5°@E-Plane 23°±5°@H-Plane
Test Ground Size	N/A

B

### Mechanical Properties

Radome Material	PBT
Connector Type	N Jack
Connector Finish	PIN:Gold plated 1u" min. Body: Ni plate 60 u" min.
IP Level	
Power Handling	
Dimension	
Weight	
Operating Temp.	
Storage Temp.	

B

UNLESS OTHERWISE SPECIFIED TOLERANCES ON:

X ± 1  
X.X ± 0.5  
X.XX ± 0.25  
ANG. ± 2.0°

THIRD ANGLE PROJECTION

THIS DRAWING CONTAINS INFORMATION THAT IS PROPRIETARY TO JOYMAX AND SHOULD NOT BE USED WITHOUT WRITTEN PERMISSION.

MATERIAL:

TITLE : 5.15~5.85GHz Panel Antenna,Page1/2

FINISH:

DRAW NO. :

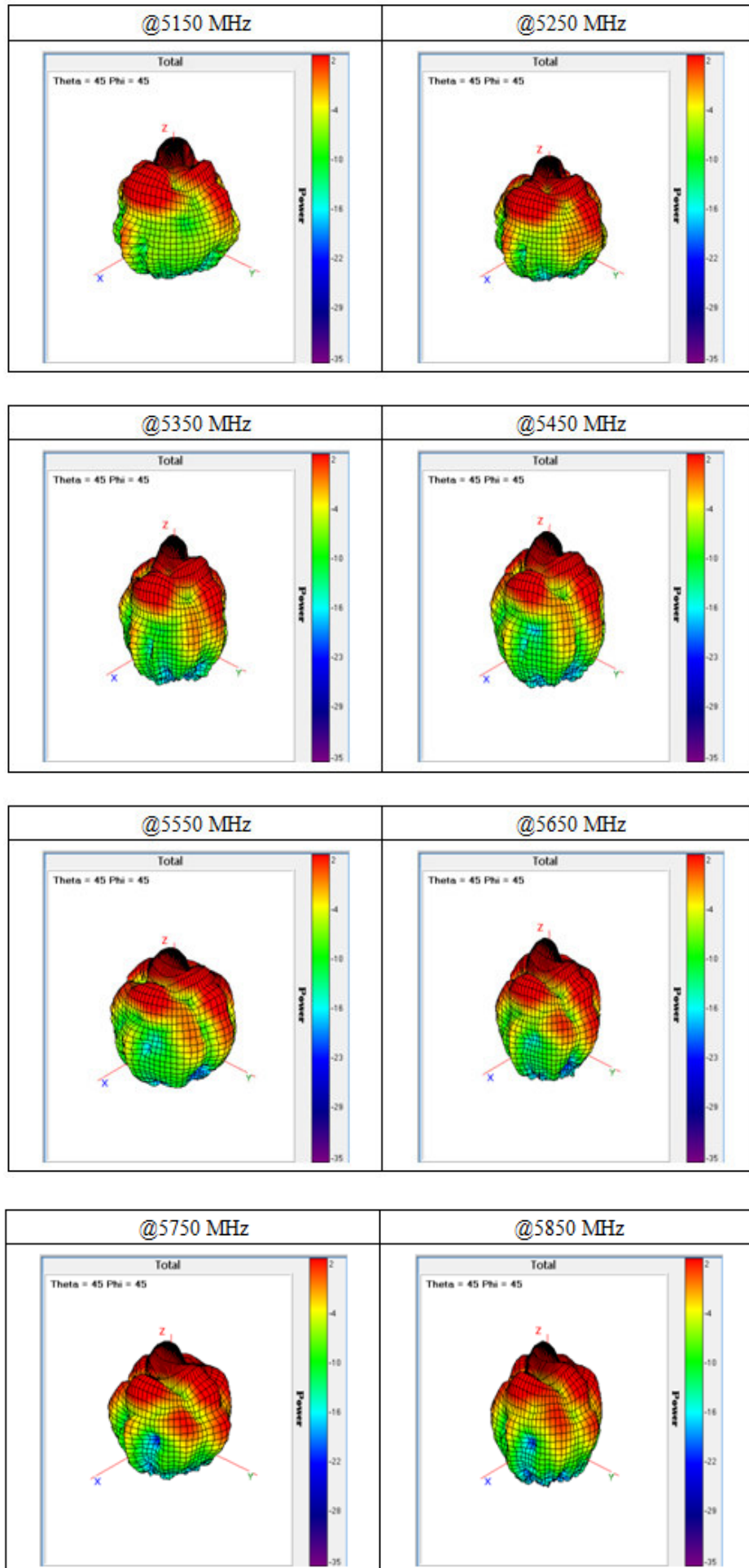
SCALE:4/1;UNIT:mm

PART NO. :

DATE:2

REV: B

## 2.3 3D Pattern



Frequency (MHz)	5150	5250	5350	5450	5550	5650	5750	5850
Gain (dBi)	15.53	16.38	15.56	15.07	15.54	16.22	16.94	15.75
Efficiency (%)	66.2	75.8	60.0	54.4	57.4	65.4	78.8	67.6