

TECHNICAL DATA

Electrical Properties

Frequency Range: 2.4~2.5GHz & 5.0 & 5.8GHz

Impedance: 50 Ohm nominal

V.S.W.R: ≤ 2.0

Gain : 2.4GHz 2 ± 0.5 dBi

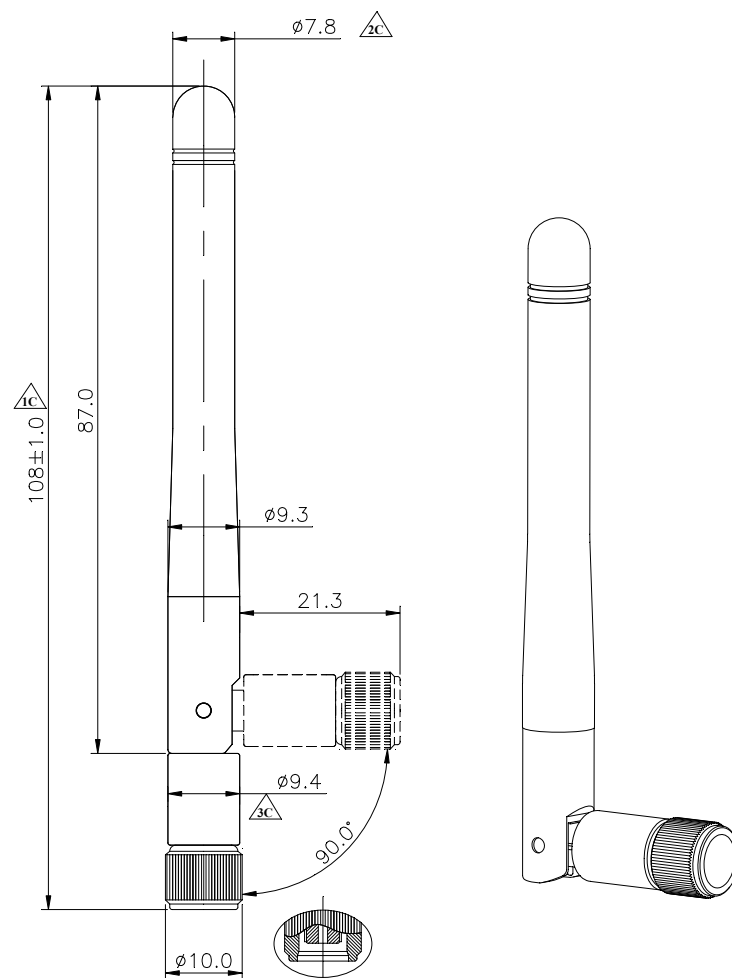
5GHz 0.5 dBi ± 0.5 dBi 5.8GHz -5 dBi ± 0.5 dBi

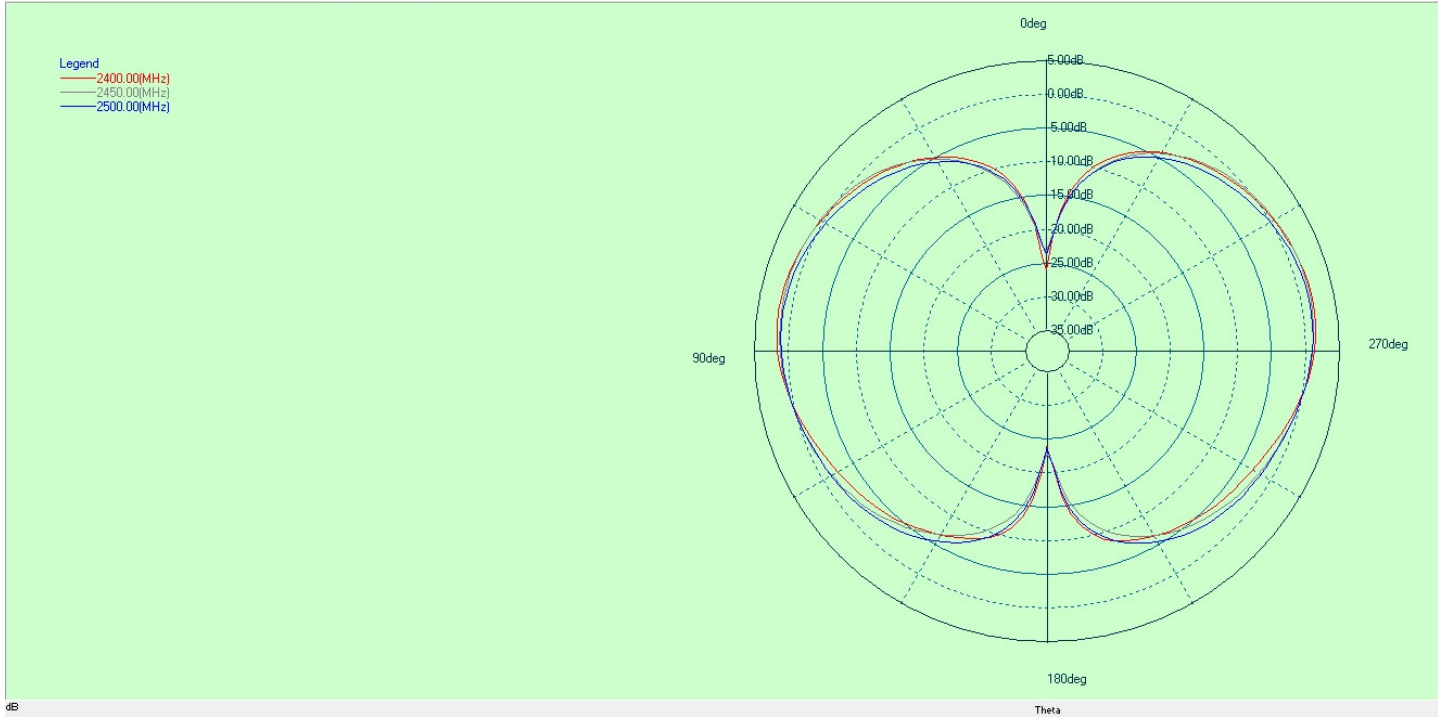
Radiation: Omni

Polarization: Vertical

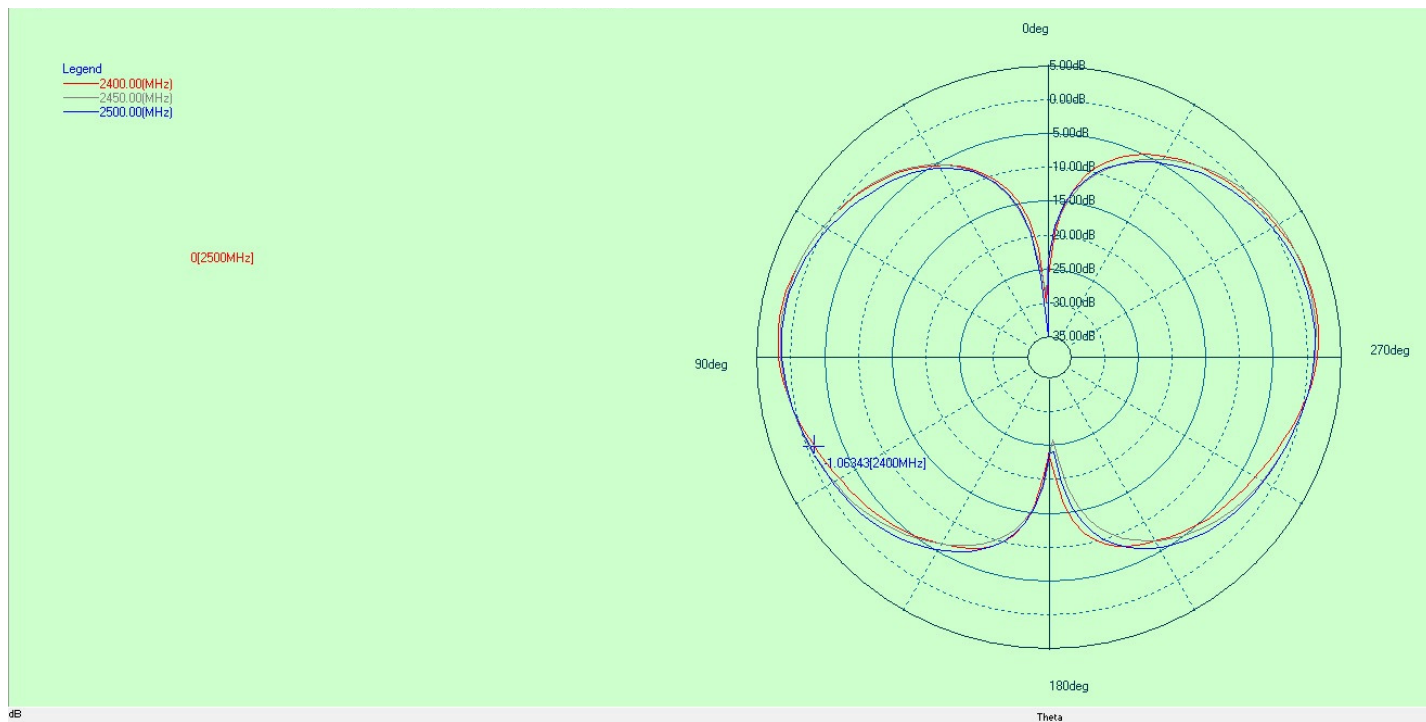
Electrical Wave: $\lambda/4$ Dipole

Connector: SMA



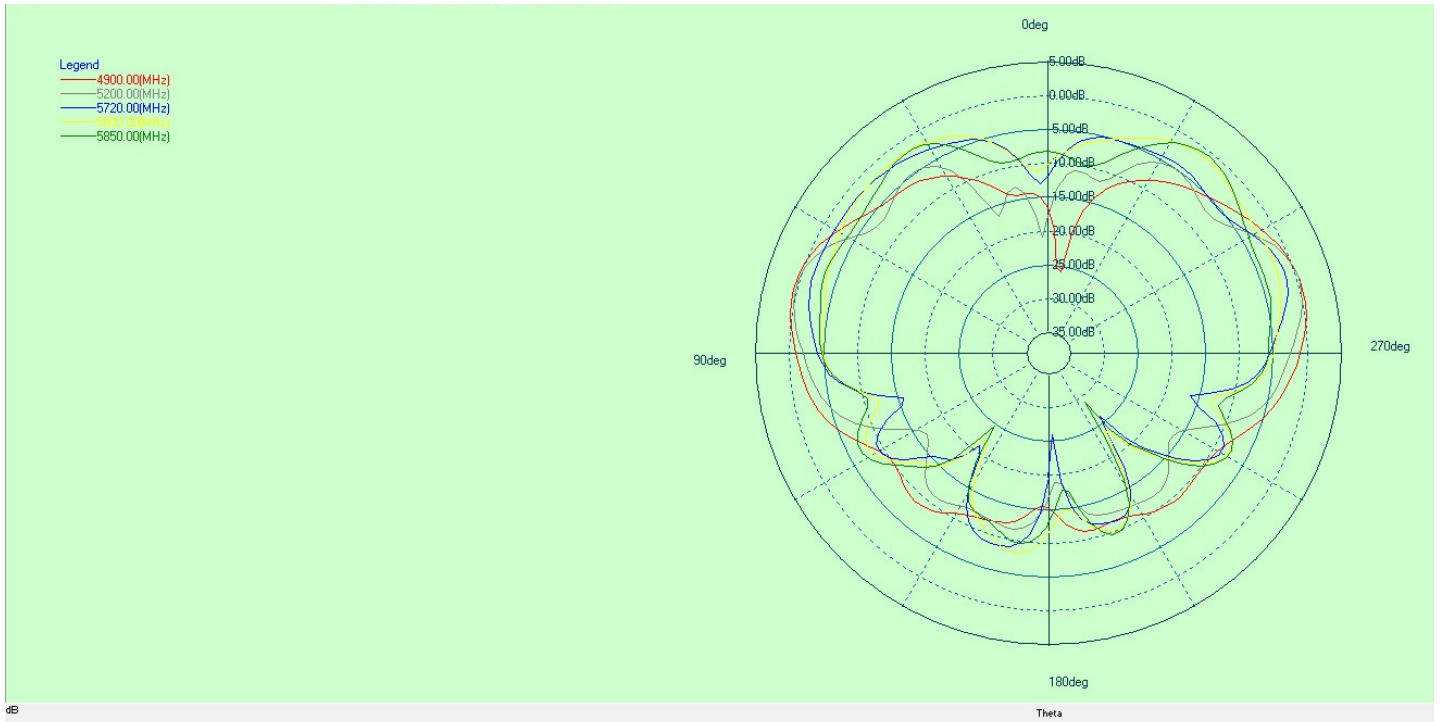


Pattern Field : Phi = 0 deg			
Frequency : 2400 MHz	Max Gain : 1.92 dBi	Position : 81.56 deg	Average Gain : -3.24dBi
Frequency : 2450 MHz	Max Gain : 1.57 dBi	Position : -78.75 deg	Average Gain : -3.18dBi
Frequency : 2500 MHz	Max Gain : 1.36 dBi	Position : -81.56 deg	Average Gain : -3.32dBi

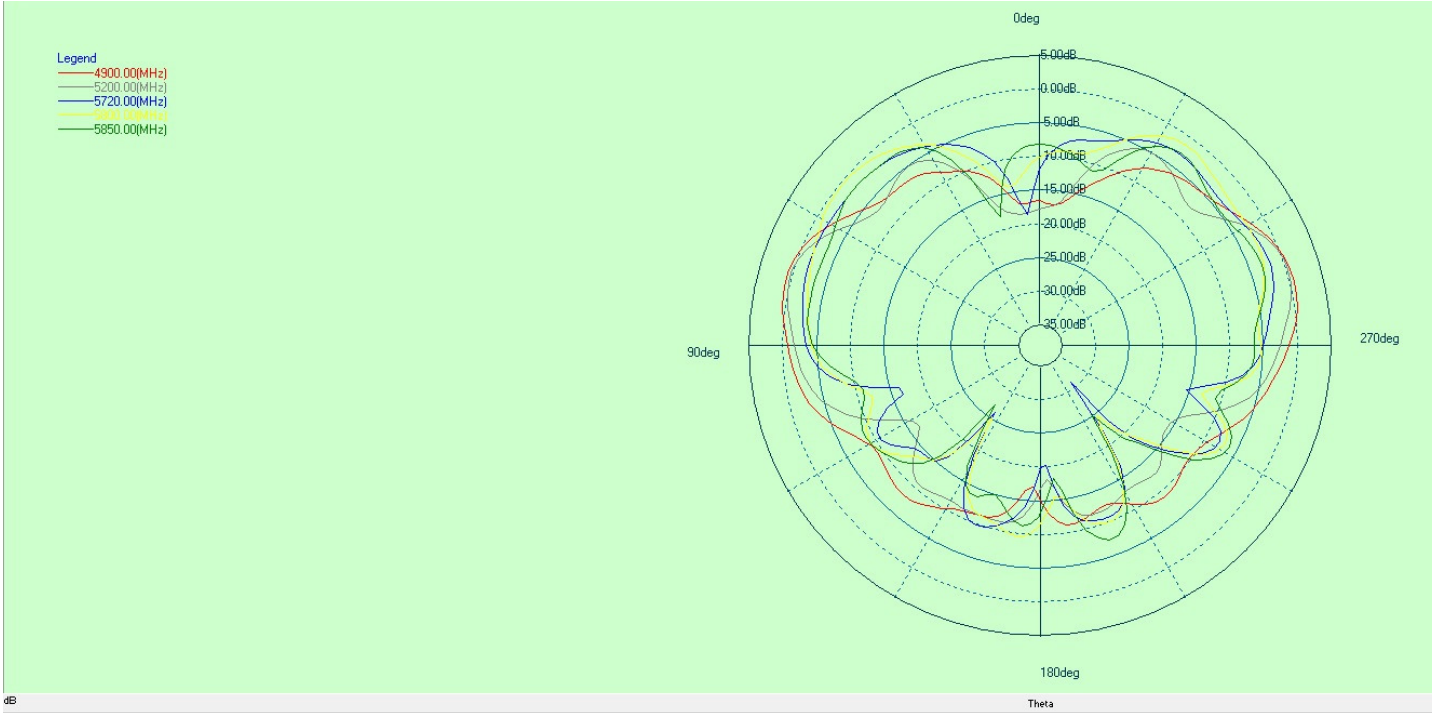


Pattern Field : Phi = 90 deg

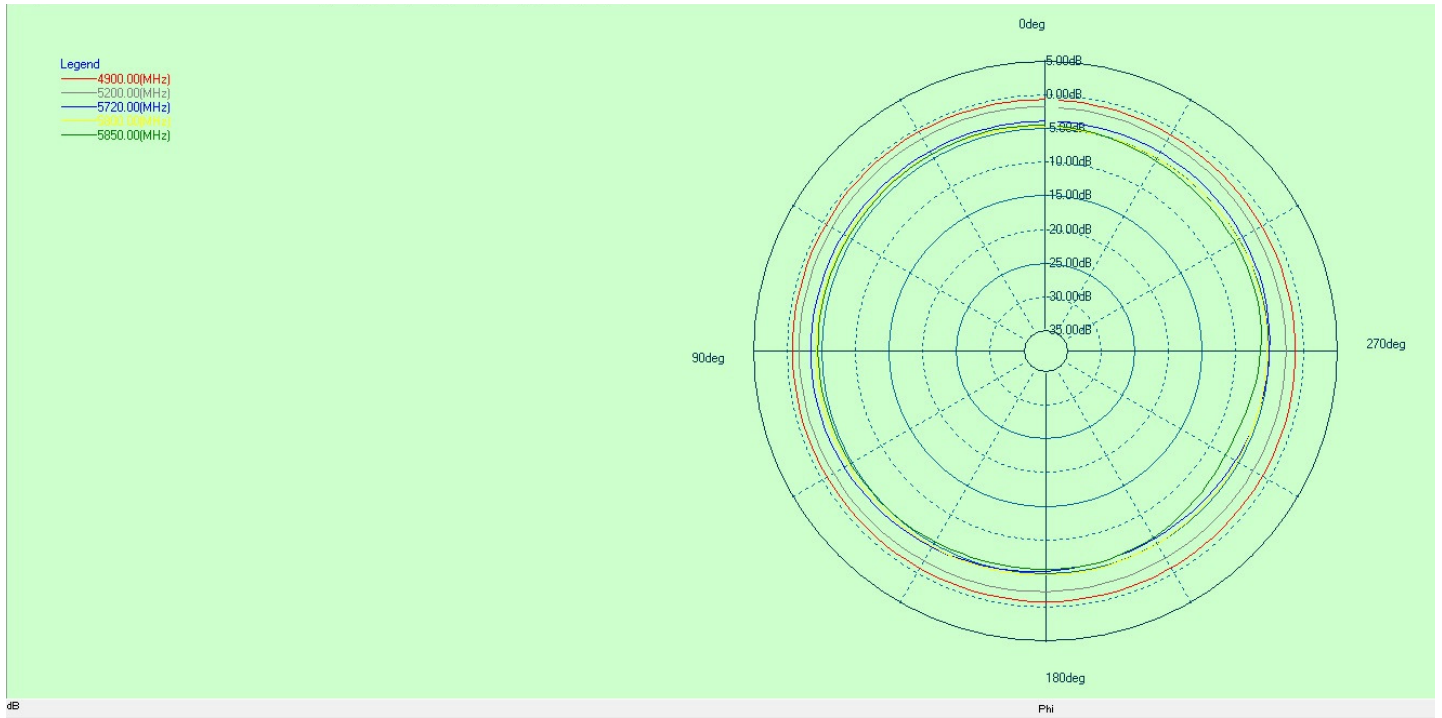
Frequency : 2400 MHz	Max Gain : 2.04 dBi	Position : 81.56 deg	Average Gain : -3.14dBi
Frequency : 2450 MHz	Max Gain : 1.72 dBi	Position : 81.56 deg	Averag Gain : -3.09dBi
Frequency : 2500 MHz	Max Gain : 1.52 dBi	Position : 81.56 deg	Average Gain : -3.23dBi



Pattern Field : Phi = 0 deg			
Frequency : 4900 MHz	Max Gain : 0.63 dBi	Position : 75.94 deg	Average Gain : -6.24dBi
Frequency : 5200 MHz	Max Gain : 0.38 dBi	Position : -73.13 deg	Average Gain : -7.29dBi
Frequency : 5720 MHz	Max Gain : -1.39 dBi	Position : -70.31 deg	Average Gain : -7.05dBi
Frequency : 5800 MHz	Max Gain : -1.26 dBi	Position : -39.38 deg	Average Gain : -6.56dBi
Frequency : 5850 MHz	Max Gain : -0.71 dBi	Position : -39.38 deg	Average Gain : -7.11dBi



Pattern Field : Phi = 90 deg			
Frequency : 4900 MHz	Max Gain : 0.81 dBi	Position : 75.94 deg	Average Gain : -6.18dBi
Frequency : 5200 MHz	Max Gain : 0.36 dBi	Position : -73.13 deg	Average Gain : -7.29dBi
Frequency : 5720 MHz	Max Gain : -1.81 dBi	Position : 67.50 deg	Average Gain : -7.21dBi
Frequency : 5800 MHz	Max Gain : -0.39 dBi	Position : 50.63 deg	Average Gain : -6.84dBi
Frequency : 5850 MHz	Max Gain : -2.14 dBi	Position : 50.63 deg	Average Gain : -7.62dBi



Pattern Field : Theta = 90 deg			
Frequency : 4900 MHz	Max Gain : -0.60 dBi	Position : 53.44 deg	Average Gain : -0.93dBi
Frequency : 5200 MHz	Max Gain : -1.65 dBi	Position : 61.88 deg	Average Gain : -2.18dBi
Frequency : 5720 MHz	Max Gain : -3.45 dBi	Position : 87.19 deg	Average Gain : -4.48dBi
Frequency : 5800 MHz	Max Gain : -4.21 dBi	Position : 70.31 deg	Average Gain : -4.83dBi
Frequency : 5850 MHz	Max Gain : -4.44 dBi	Position : 75.94 deg	Average Gain : -5.41dBi