

4

3

2

1

F

F

E

E

D

D

C

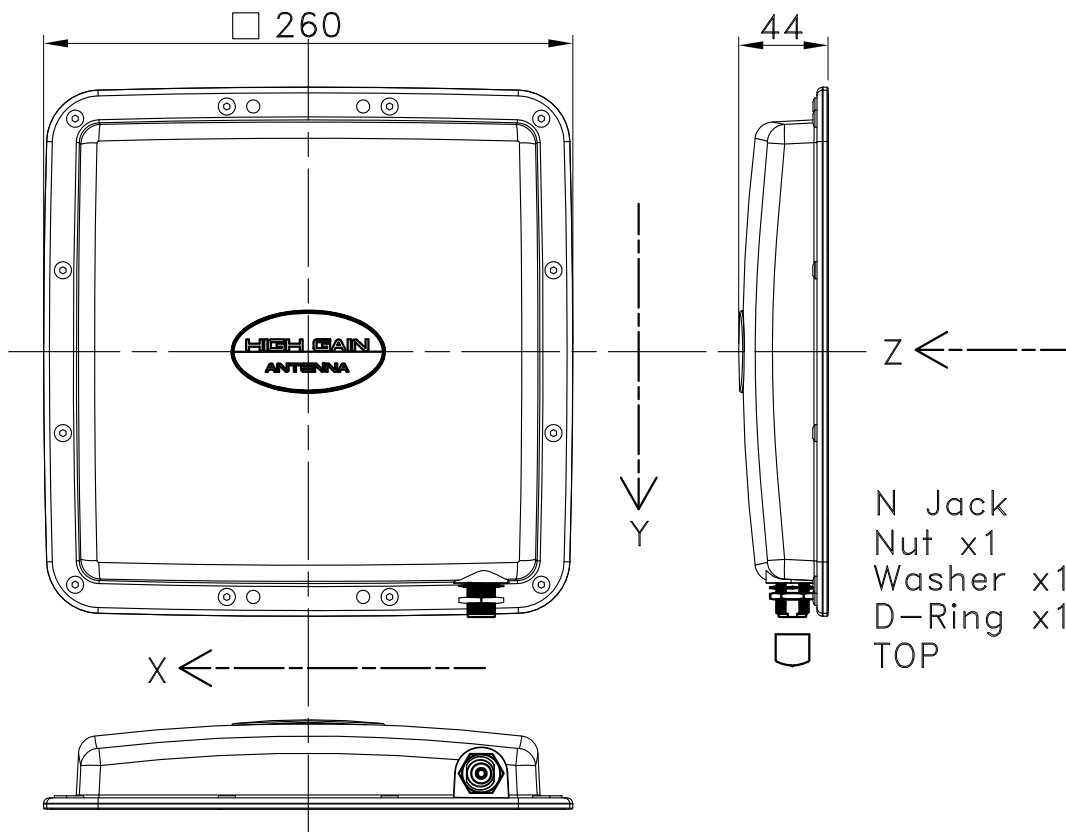
C

B

B

A

A



Electrical Properties

Frequency Range	2.4~2.4835 GHz
Impedance	50Ω
V.S.W.R.	≤2.0
Radiation	Directional
Gain	12±1 dBi
Polarization	Vertical
Wave Length , type	Patch
Beam Width(±3dB)	30°±5°@E-Plane 30°±5°@H-Plane
Test Ground Size	N/A

Mechanical Properties

Radome Material	PBT
Connector Type	N Jack
Connector Finish	PIN:Gold plated 1u" min. Body: Ni plate 60 u" min.
IP Level	IP-65
Power Handling	10W
Dimension	L=260mm
Weight	796 g (est)
Operating Temp.	-40°C ~ +85°C
Storage Temp.	-40°C ~ +85°C

UNLESS OTHERWISE SPECIFIED TOLERANCES ON:

X ± 1
X.X ± 0.5
X.XX ± 0.25
ANG. ± 2.0°

THIRD ANGLE PROJECTION



MATERIAL:

TITLE : 2.4GHz Panel Antenna,Page1/2

FINISH:

DRAW NO. :

SCALE:1/1;UNIT:mm

PART NO. :

DATE:2020/9/16

REV: B

2.3 3D Pattern

