

**料件檢驗報告**  
Approval Checklist and Report

料號 Part Number	1710020100210	品名 Part Name	MAT-WDB-DA-RM-2-0203-1m				
製造商 Manufacture Name	Joymax	製造商料號 Manufacture Part Number	THF-3802RSWX-244				
撰寫單位 Department	Moxa IW	撰寫人 Writer	Travy	日期 Date	2017.07.04	文件版本 Revision	A
料件承認作業確認 Approval Checklist							
1.工作/儲存溫度查核(五金料件除外) <input checked="" type="checkbox"/> 已完成 Completed (T <sub>OP</sub> : <u>-30°C~75°C</u> , T <sub>STG</sub> : <u>-40°C~80°C</u> ) <input type="checkbox"/> 其他 Other: _____ Operating/Storage temperature range check(Except metal parts)							
2.製程耐溫查核(僅 SMD/DIP 料件) <input type="checkbox"/> 已完成 Completed (T <sub>P</sub> : _____°C/____Sec) Processing temperature check (Only SMD/DIP Parts) <input type="checkbox"/> 參考附件 Temperature Profile Please refer attached temperature profile: _____ <input type="checkbox"/> 其他 Other: _____ <input type="checkbox"/> 符合製程要求 Compliance <input type="checkbox"/> 不符合製程要求(需 PE 評估) Non-Compliance of the requirement(Need Process Engineer Assessment)							
3.連接器鍍金厚度查核 <input type="checkbox"/> _____μ" (inch) <input type="checkbox"/> _____μm (meter) The thickness check of the gold plate for the contacts of connector							
4.MTBF Report <input type="checkbox"/> _____H@_____°C@_____V or <input type="checkbox"/> Failure Rate: _____							
5.零組件機電整合測試報告(符合以下類別的均要提供此測試報告) <input checked="" type="checkbox"/> Yes <input type="checkbox"/> No Components Mechatronics Test Report(Please provide test reports for component as below categorized items) 1106-LED、1109-Switch、1111-Terminal Block、1115-LCM、1121-Fan、1126-Connector、1701~1711-Cable							
6.可用容量查核(僅記憶卡/模組、硬碟類料件) <input type="checkbox"/> 已完成 Completed (_____Byte) User Capacity Check (Only Flash Memory Card/Module, Hard Disk)							
7. RAM Module 的顆粒廠牌、數量及速度查核 <input type="checkbox"/> 已完成 Completed Chip Brand: _____ Number of RAM _____ RAM Module Chip Brand、Number of RAM and Component Config Check Component Config: _____							
封裝及包裝說明 Package and Packing Description							
IC 封裝方式 Package:				料件包裝方式 Packing: 請參考 P.10			

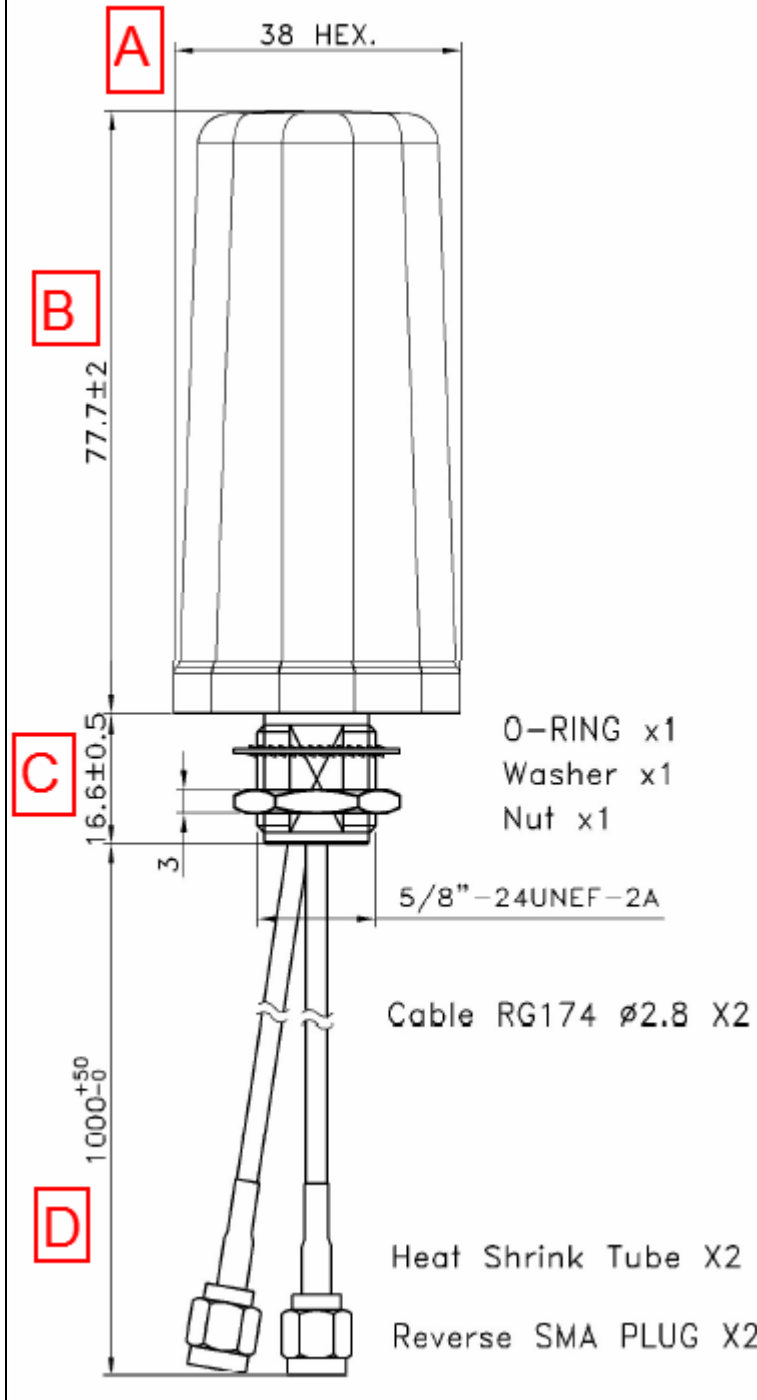


Marking Code 說明：(料件上之 Marking 須有適當的說明; 若 IC 有版本區分, 需標示其位置)  
 Marking Code Description : (The detail description of the marking of parts is necessary. If the ICs have different version please specify it in marking)

尺寸(含公差) Dimension(With Tolerance)

(請貼上承認量測尺寸圖, 含公差; 機殼類除外) Apart from chassis class, please attach the recognized dimensions / measurement diagram (tolerance is included)

尺寸檢  
驗紀錄  
Dimension  
Checklist

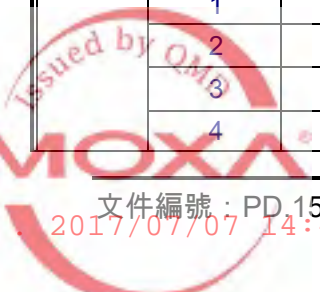


UNLESS OTHERWISE SPECIFIED TOLERANCES ON:

X	± 1
X.X	± 0.5
X.XX	± 0.25
ANG.	± 2.0°

Mechanism size Check/Compare, Unit : mm

項次 Item	圖面位置 Drawing Location	檢驗項目 Inspection Item	實測 1 Inspection Results1	實測 2 Inspection Results2	實測 3 Inspection Results3	實測 4 Inspection Results4
1	A	38	38			
2	B	77.2±2	77.9			
3	C	16.6±0.5	16.77			
4	D	1000+50	1040			



# 承 認 書

## APPROVAL SHEET

CUSTOMER: 四零四科技股份有限公司

CUSTOMER MODEL NO.: 1710020100210

JOYMAX MODEL NO.: THF-3802RSWX-244

DESCRIPTION: #3802 Replacement Antenna

REV.: 01

DATE: 2017/3/22

Customer Approval

Joymax Approval



Issued by QMD

士誼科技事業股份有限公司  
**JOYMAX ELECTRONICS CO., LTD.**

Tel: +886-3-4335698 Fax: +886-3-4335798, 4335799  
E-Mail: service@joymax.com.tw

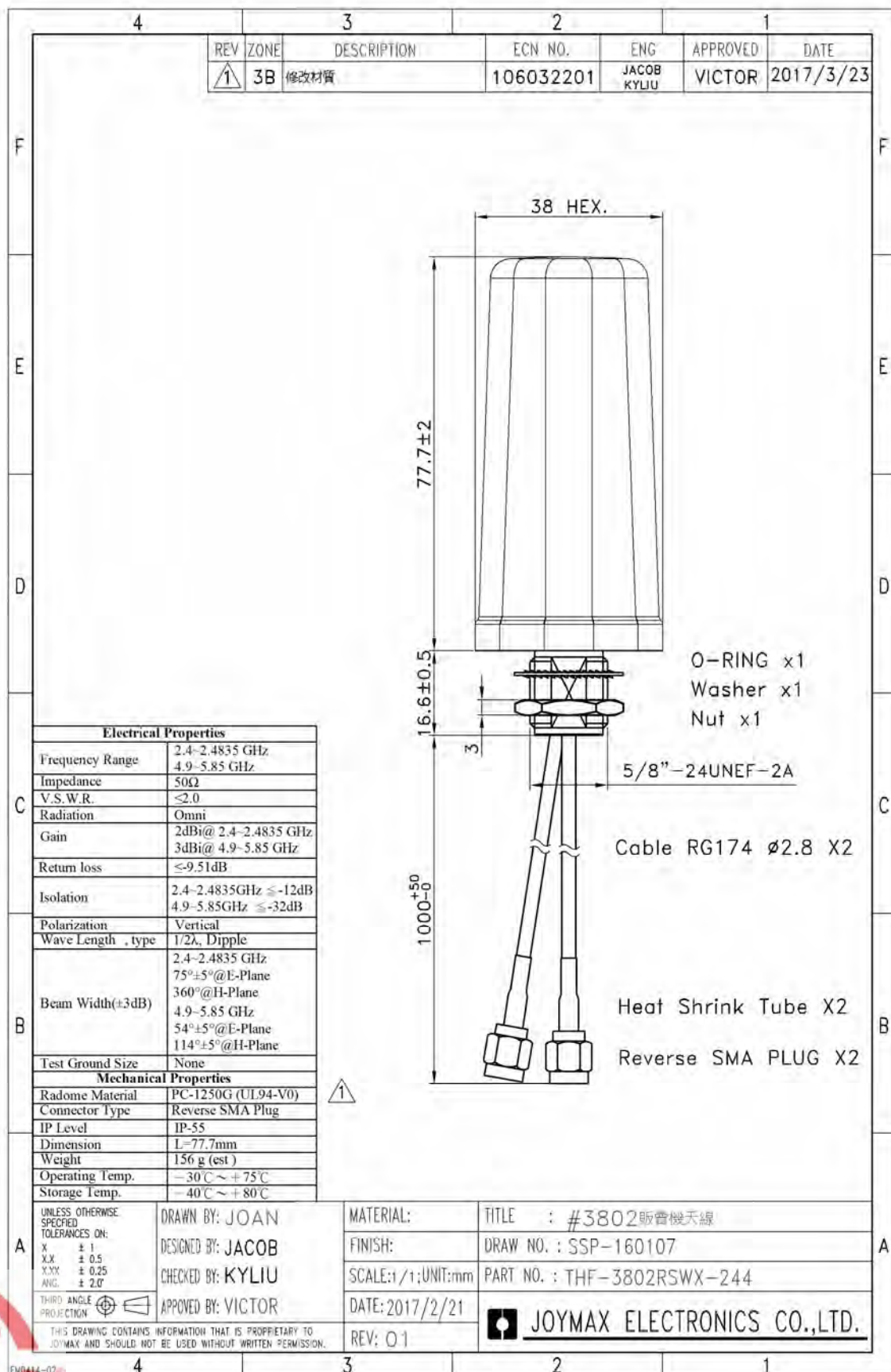
桃園縣中壢市中壢工業區東園二路5號  
No.5, Dong Yuan Rd. 2, Zhongli Industrial Park,  
Zhongli City, Tao Yuan, Taiwan, R.O.C.  
Http://www.joymax.com.tw

MOXA

2017/07/07 14:45

# 1. Specification

## 1.1 Drawing



# MAT-WDB-DA-RM-2-0203-1m Series

2 dBi at 2.4 GHz or 3 dBi at 5 GHz, RP-SMA-type(male), 2x2 MIMO, dual-band desktop antennas with 1 m cables



## Features and Benefits

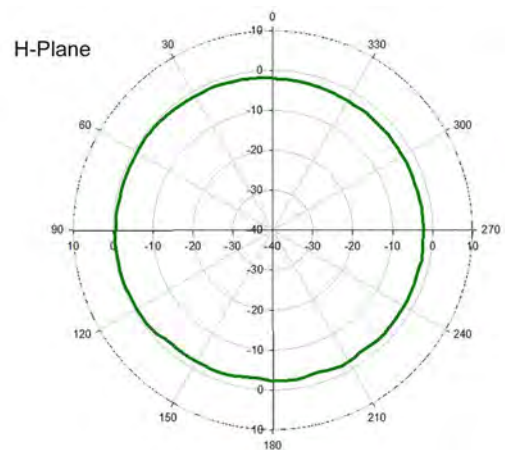
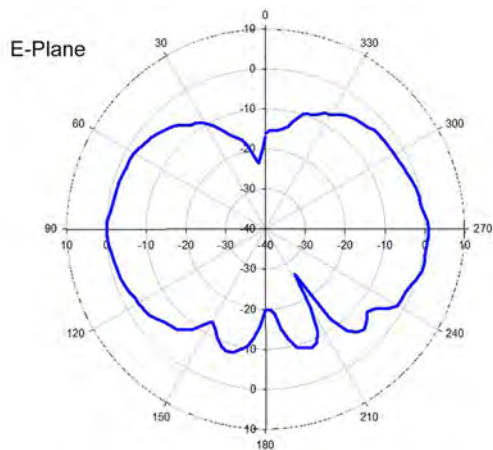
- Small size for easy installation
- Desktop mount
- RP-SMA-type (male) connector

## Introduction

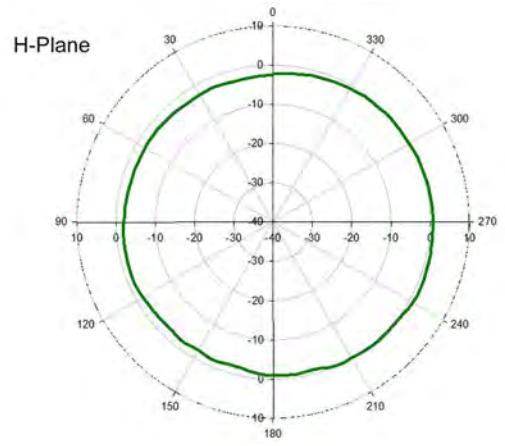
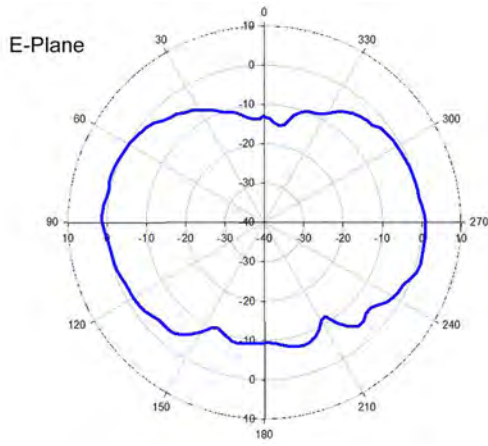
The MAT-WDB-DA-RM-2-0203-1m antenna is a compact MIMO 2x2 dual-band desktop antenna with a RP-SMA-type (male) connector. The antenna can be used in both the 2.4 GHz and 5 GHz frequencies, provides an antenna gain of 2/3 dBi, and comes with a 1-m cable.

## Field Patterns

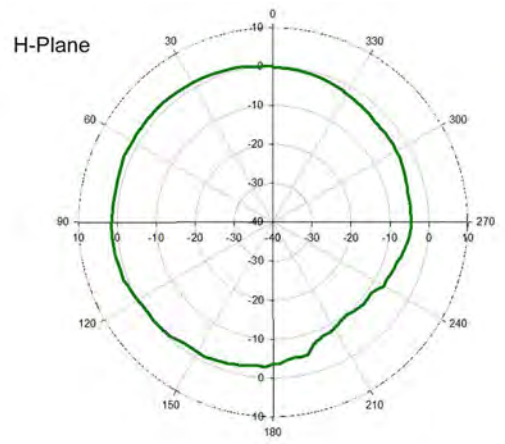
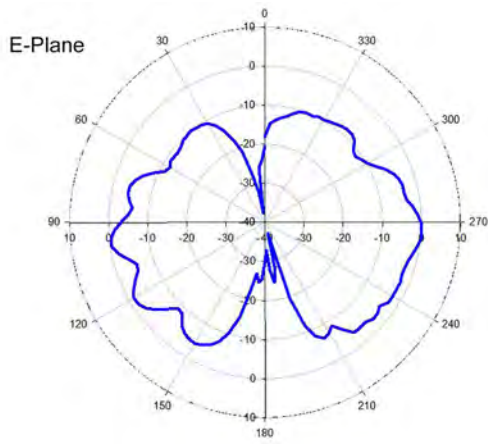
Port 1 Frequency: 2.4 GHz



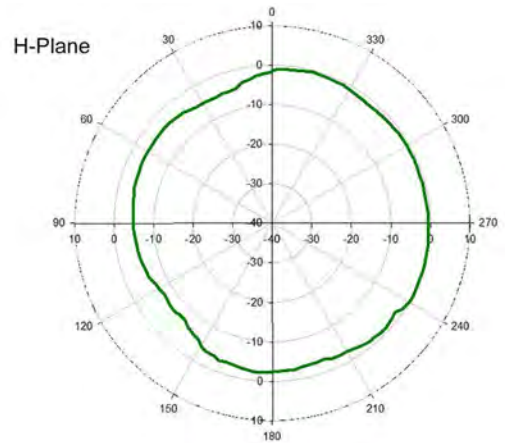
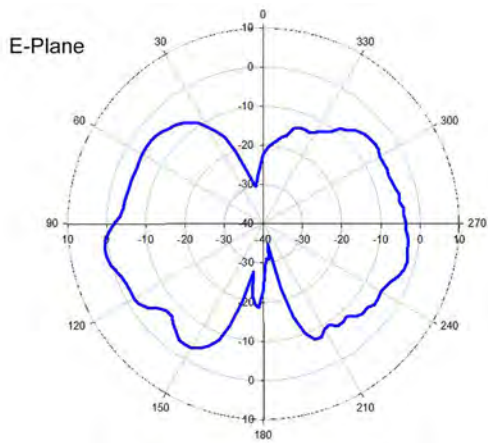
**Port 2 Frequency: 2.4 GHz**



**Port 1 Frequency: 5 GHz**



**Port 2 Frequency: 5 GHz**



**Specifications**

**Antenna Characteristics**

Frequency	2.4 to 2.5, 4.9 to 5.85 GHz
Antenna Type	MIMO 2x2 Omni-directional
Typical Antenna Gain	2/3 dBi
Connector	RP-SMA (male)
Impedance	50 ohms

Polarization	Linear Vertical
HPBW/Horizontal	360/114°
HPBW/Vertical	75/54°
V.S.W.R.	2:1 max.
Power Handling	2 W (max.)

#### Physical Characteristics

Weight	156 g (0.34 lb)
Length (including RF cable)	1094.3 mm (43.08 in)
IP Rating	IP55
Radome Color	Black
Radome Material	PC-1250G
Installation	Desktop Mount
Cable	RG-174
Cable Length	1 m

#### Environmental Limits

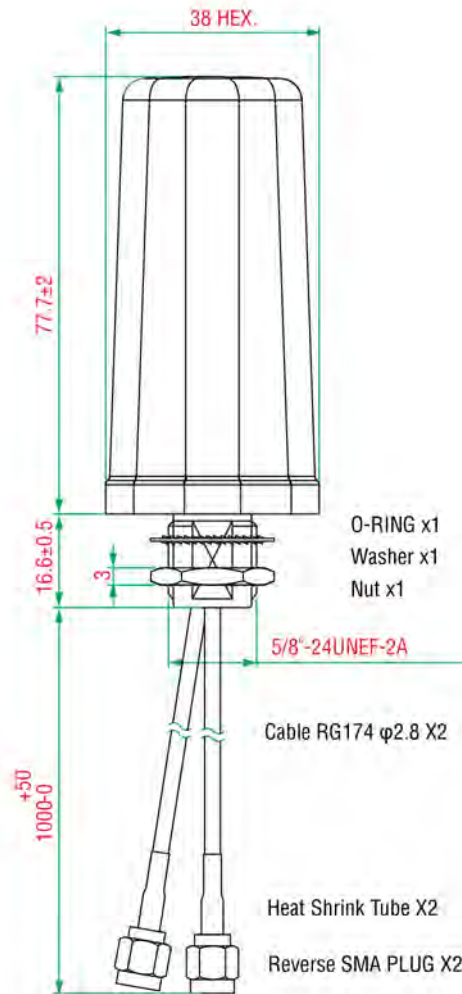
Operating Temperature	-40 to 75°C (-40 to 167°F)
Storage Temperature (package included)	-40 to 75°C (-40 to 167°F)
Ambient Relative Humidity	5 to 95% (30°C, non-condensing)

#### Warranty

Warranty Period	1 year
Details	See <a href="http://www.moxa.com/warranty">www.moxa.com/warranty</a>

## Dimensions

Unit: mm



## Ordering Information

Model Name	Frequency	Antenna Type	Antenna Gain	Connector
MAT-WDB-DA-RM-2-0203-1m	2.4 to 2.5, 4.9 to 5.85 GHz	MIMO 2x2, Omni-directional	2/3 dBi	RP-SMA (male)

© Moxa Inc. All rights reserved. Updated Nov 09, 2023.

This document and any portion thereof may not be reproduced or used in any manner whatsoever without the express written permission of Moxa Inc. Product specifications subject to change without notice. Visit our website for the most up-to-date product information.