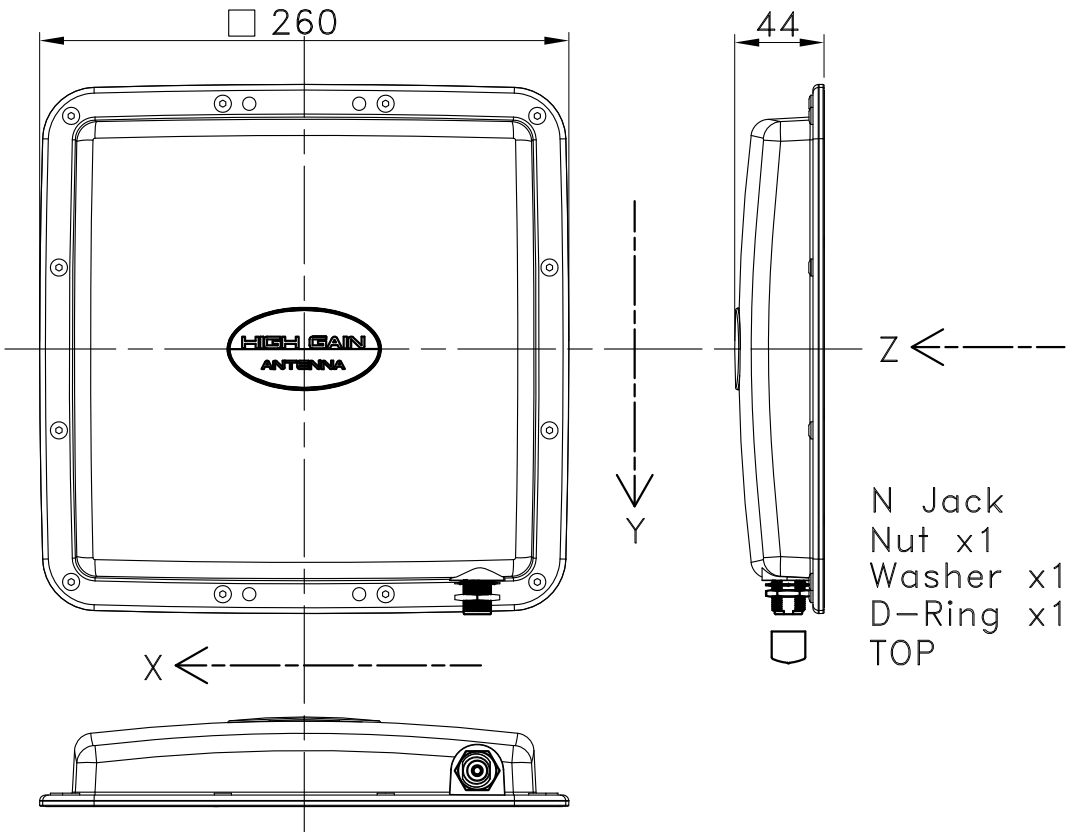


4		3		2		1	
REV	ZONE	DESCRIPTION		ECN NO.	ENG	APPROVED	DATE

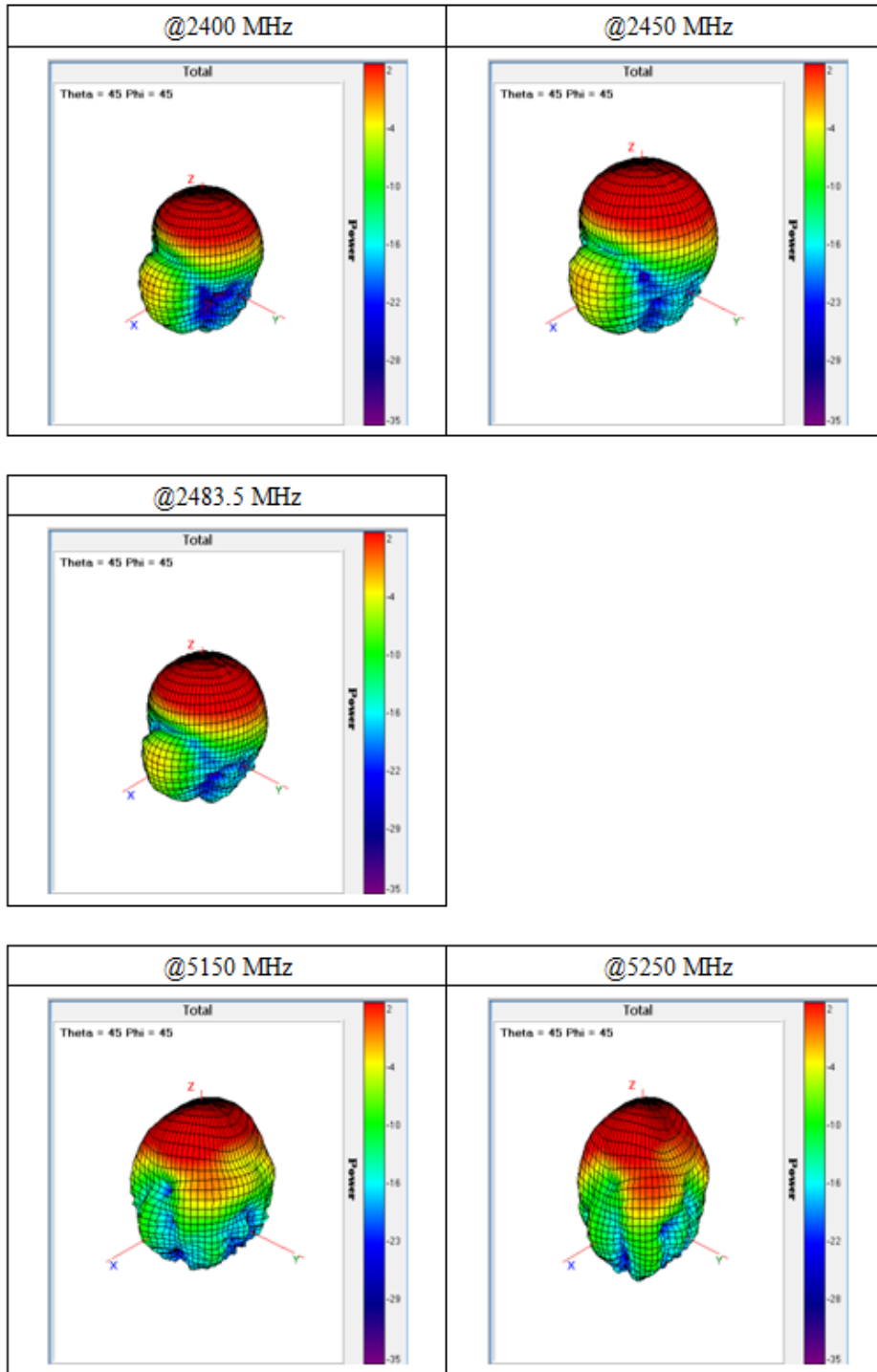


N Jack
 Nut x1
 Washer x1
 D-Ring x1
 TOP

Electrical Properties	
Frequency Range	2.4~2.4835 GHz 5.15~5.85 GHz
Impedance	50Ω
V.S.W.R.	≤2.0@2.4~2.4835 GHz ≤3.0@5.15~5.35/5.55~5.85 GHz ≤3.5@5.35~5.55 GHz
Radiation	Directional
Gain	10±1 dBi@2.4~2.4835 11±1 dBi@5.15~5.85
Polarization	Vertical
Wave Length , type	Patch
Beam Width(±3dB)	2.4~2.4835 GHz 35°±5°@E-Plane 30°±5°@H-Plane 5.15~5.85 GHz 40°±5°@E-Plane 30°±5°@H-Plane
Test Ground Size	N/A
Mechanical Properties	

A UNLESS OTHERWISE SPECIFIED TOLERANCES ON: X ± 1 X.X ± 0.5 X.XX ± 0.25 ANG. ± 2.0° THIRD ANGLE PROJECTION	MATERIAL:	TITLE :
	FINISH:	DRAW NO.
	SCALE:1/1;UNIT:mm	PART NO. :
	DATE:	
	REV: /	

2.3 3D Pattern



2.3 3D Pattern

