



1/F., Building No. 1 Building, Agriculture Machinery Materials Co. Wushan  
Road, Shipai, Tianhe District, Guangzhou, China  
Telephone: +86 (0) 20 3848 1001 Fax: +86 (0) 20 3848 1006  
Email: kent.hsu@sgs.com

FEDERAL COMMUNICATIONS COMMISSION  
Registration number: 282399

Report No.: GLEMO040901449RFF  
Page: 1 of 11  
FCC ID: SLATGC0141

## ***FCC TEST REPORT***

**Application No. :** GLEMO040901449RFF (SGS SZ No.:SZTYR040905198/TS)

**Applicant:** DEPO Manufacturing Corp.Ltd.

**FCC ID:** SLATGC0141

**Fundamental Carrier Frequency :** 27.145 MHz

**Equipment Under Test (EUT):**

Name: R/C CAR

Model: TGC0141

**Standards:** FCC PART 15, SUBPART C : 2002  
Section 15.227

**Date of Receipt:** 4 September 2004

**Date of Test:** 9 and 22 September 2004

**Date of Issue:** 7 October 2004

<b>Test Result :</b>	<b>PASS *</b>
----------------------	---------------

\* In the configuration tested, the EUT complied with the standards specified above.

Authorized Signature:

Kent Hsu  
Laboratory Manager

This report refers to the General Conditions for Inspection and Testing Services, printed overleaf

This report details the results of the testing carried out on one sample. The results contained in this test report do not relate to other samples of the same product and does not permit the use of the SGS PRODUCT CERTIFICATION MARK.. The manufacturer should ensure that all products in series production are in conformity with the product sample detailed in this report.

This report may only be reproduced and distributed in full. If the product in this report is used in any configuration other than that detailed in the report, the manufacturer must ensure the new system complies with all relevant standards. Any mention of SGS International Electrical Approvals or testing done by SGS International Electrical Approvals in connection with, distribution or use of the product described in this report must be approved by SGS International Electrical Approvals in writing.

The report must not be used by the client to claim product certification, approval, or endorsement by NVLAP, NIST, or any agency of the federal government.

All test results in this report can be traceable to National or International Standards.

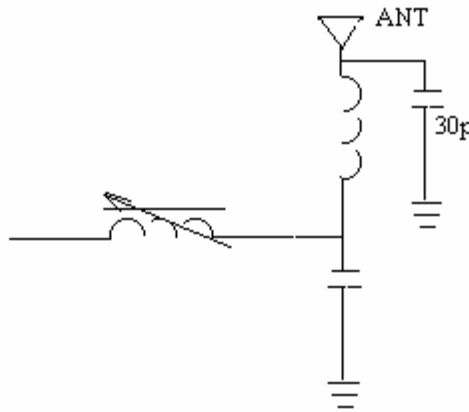
### 2 Test Summary

Test	Test Requirement	Standard Paragraph	Result
Radiated Emission	FCC PART 15 :2003	Section 15.227 (a) (b)	PASS
Occupied Bandwith Measurement	FCC PART 15 :2003	ANCI 63.4	PASS

The EUT passed the Radiated Emission test after modification as shown as below:

(1): Added one 'C' for 'ANT'

C: 30Pf





### 3 Contents

	Page
<b>1 COVER PAGE.....</b>	<b>1</b>
<b>2 TEST SUMMARY.....</b>	<b>2</b>
<b>3 CONTENTS.....</b>	<b>3</b>
<b>4 GENERAL INFORMATION.....</b>	<b>4</b>
4.1 CLIENT INFORMATION .....	4
4.2 DETAILS OF E.U.T. ....	4
4.3 DESCRIPTION OF SUPPORT UNITS .....	4
4.4 TEST LOCATION.....	4
4.5 OTHER INFORMATION REQUESTED BY THE CUSTOMER .....	4
4.6 TEST FACILITY.....	5
<b>5 TEST RESULTS.....</b>	<b>6</b>
5.1 TEST INSTRUMENTS .....	6
5.2 E.U.T. OPERATION .....	6
5.3 TEST PROCEDURE & MEASUREMENT DATA .....	6
5.3.1 <i>Radiated Emissions</i> .....	6
5.3.2 <i>Occupied Bandwidth</i> .....	8
5.3.3 <i>Photographs - Radiated Emission Test Setup in Chamber</i> .....	9
<b>6 PHOTOGRAPHS - EUT CONSTRUCTIONAL DETAILS.....</b>	<b>10-11</b>

## 4 General Information

### 4.1 Client Information

Applicant Name: DEPO Manufacturing Corp.Ltd.  
Applicant Address: 2105, 21/F, Block A, Electronic Science & Technology Building, 2070 Shennan Zhonglu, Shenzhen, P.R. China

### 4.2 Details of E.U.T.

Product Name: R/C CAR  
Model: TGC0141  
Power Supply: 12V DC (8 x 1.5 'AA' Size Batteries)  
Power Cord: N/A-

### 4.3 Description of Support Units

The EUT was tested as an independent unit: a R/C CAR. ( 27MHz Transmitter)

### 4.4 Test Location

All tests were performed at:-

SGS-CSTC Standards Technical Services Ltd., Guangzhou Safety & EMC Laboratory,  
1/F, Building No. 1, Agriculture Machinery Materials Company Warehouse Ltd.,  
Wushan Road Shipai, Tianhe District, Guangzhou, China. P.C. 510630.

Tel: +86 20 3848 1001

Fax: +86 20 3848 1006

### 4.5 Other Information Requested by the Customer

None.

#### 4.6 Test Facility

The test facility is recognized, certified, or accredited by the following organizations:

- **NVLAP – Lab Code: 200611-0**  
SGS-CSTC Standards Technical Services Co., Ltd., Guangzhou EMC Laboratory is recognized under the National Voluntary Laboratory Accreditation Program (NVLAP/NIST). NVLAP Code: 200611-0. Effective through December 31, 2004.
- **ACA**  
SGS-CSTC Standards Technical Services Co., Ltd., EMC Laboratory can also perform testing for the Australian C-Tick mark as a result of our NVLAP accreditation.
- **VCCI**  
The 3m Semi-anechoic chamber and Shielded Room (11.5m x 4m x 4m) of SGS-CSTC Standards Technical Services Co., Ltd. have been registered in accordance with the Regulations for Voluntary Control Measures with Registration No.: R-1599 and C-1706 respectively.  
Date of Registration: February 28, 2003. Valid until May 30, 2005
- **SGS UK(Certificate No.: 32), SGS-TUV SAARLAND and SGS-FIMKO**  
Have approved SGS-CSTC Standards Technical Services Co., Ltd., EMC Laboratory as a supplier of EMC TESTING SERVICES and SAFETY TESTING SERVICES.
- **CNAL – LAB Code: L0141**  
SGS-CSTC Standards Technical Services Co., Ltd., EMC Laboratory has been assessed and in compliance with CNAL/AC01:2002 accreditation criteria for testing laboratories (identical to ISO/IEC 17025:1999 General Requirements) for the Competence of Testing Laboratories.
- **FCC – Registration No.: 282399**  
SGS-CSTC Standards Technical Services Co., Ltd., EMC Laboratory has been registered and fully described in a report filed with the (FCC) Federal Communications Commission. The acceptance letter from the FCC is maintained in our files. Registration 282399, May 31, 2002. With the above and NVLAP's accreditation, SGS-CSTC is an authorised test laboratory for the DoC process.  
SGS-CSTC Standards Technical Services Co., Ltd., EMC Laboratory has been assessed and in compliance with CNAL/AC01:2002 accreditation criteria for testing laboratories (identical to ISO/IEC 17025:1999 General Requirements) for the Competence of Testing Laboratories.
- **Industry Canada (IC)**  
The 3m Semi-anechoic chamber of SGS-CSTC Standards Technical Services Co., Ltd. has been registered by Certification and Engineering Bureau of Industry Canada for radio equipment testing with Registration No.: 5169.

## 5 Test Results

### 5.1 Test Instruments

Test Equipment	Manufacturer	Model	Asset No.	Cal. Due Date
3m Semi- Anechoic Chamber	Frankonia	3m method	EMC0501	15-02-2005
EMI Test Receiver	Rohde & Schwarz	ESCS30	EMC0506	15-02-2005
Bilog Type Antenna	Schaffner Chase	CBL6143	EMC0519	17-01-2005
Coaxial cable	SGS-CSTC	10m	EMC0514	04-11-2004
Temperature, Humidity & Barometer	Oregon Scientific	BA-888	EMC0003	24-07-2004

### 5.2 E.U.T. Operation

Input voltage: 12V DC (8 x 1.5 'AA' Size Batteries)

Operating Environment:

Temperature: 24.0 °C

Humidity: 55 % RH

Atmospheric Pressure: 1007 mbar

EUT Operation: Test the EUT in On Mode.

### 5.3 Test Procedure & Measurement Data

#### 5.3.1 Radiated Emissions

**Test Requirement:** FCC Part15 C

**Test Method:** Based on FCC Part15 C Section 15.227

**Test Date:** 9 September 2004 ( Initial test)  
22 September 2004 (Test after modification)

**Measurement Distance:** 3m (Semi-Anechoic Chamber)

**Requirements:** Carrier frequency will not exceed 80dBuV/m at 3m.

Out of band emissions shall not exceed:

40.0 dB $\mu$ V/m between 30MHz & 88MHz

43.5 dB $\mu$ V/m between 88MHz & 216MHz

46.0 dB $\mu$ V/m between 216MHz & 960MHz

54.0 dB $\mu$ V/m above 960MHz

**Detector:** Peak Scan (120kHz resolution bandwidth)

Test Procedure: The procedure used was ANSI Standard C63.4-2000. The receiver was scanned from 30MHz to 1000MHz. When an emission was found, the table was rotated to produce the maximum signal strength. An initial pre-scan was performed for in peak detection mode using the receiver. The EUT was measured for both the Horizontal and Vertical polarities and performed a pre-test three orthogonal planes. The worst case emissions were reported.

An initial pre-scan was performed in the 3m chamber using the spectrum analyser in peak detection mode. The EUT was measured by Bilog antenna with 2 orthogonal polarities and peak emissions from the EUT were detected within 6dB of the class B limit line.

The following measurements were performed on the EUT on 22 September 2004:  
Test the EUT in transmitting mode.

Intentional emission

Test Frequency (MHz)	Peak (dBµV/m)		Limits (dBµV/m)	Margin (dB)	
	Vertical	Horizontal		Vertical	Horizontal
27.145	63.8	51.6	100.0	36.2	48.4

Test Frequency (MHz)	Average (dBµV/m)		Limits (dBµV/m)	Margin (dB)	
	Vertical	Horizontal		Vertical	Horizontal
27.145	59.9	47.0	80.0	20.1	33.0

Other emissions

Test Frequency (MHz)	Quasi-Peak (dBµV/m)		Limits (dBµV/m)	Margin (dB)	
	Vertical	Horizontal		Vertical	Horizontal
2nd 54.290	32.0	18.3	40.0	8.0	21.7
3rd 81.435	36.6	23.8	40.0	3.4	16.2
4th 108.580	40.5	18.4	43.5	3.0	25.1
5th 135.725	28.6	19.7	43.5	14.9	23.8
6th 162.870	23.4	21.7	43.5	20.1	21.8
7th 190.015	23.8	20.9	43.5	19.7	22.6
8th 217.160	25.7	22.3	46.0	20.3	23.7
9th 244.305	26.4	21.2	46.0	19.6	24.8
10th 271.450	24.9	22.0	46.0	21.1	24.0

**Test Results: The unit does meet the FCC Part 15 C requirements.**

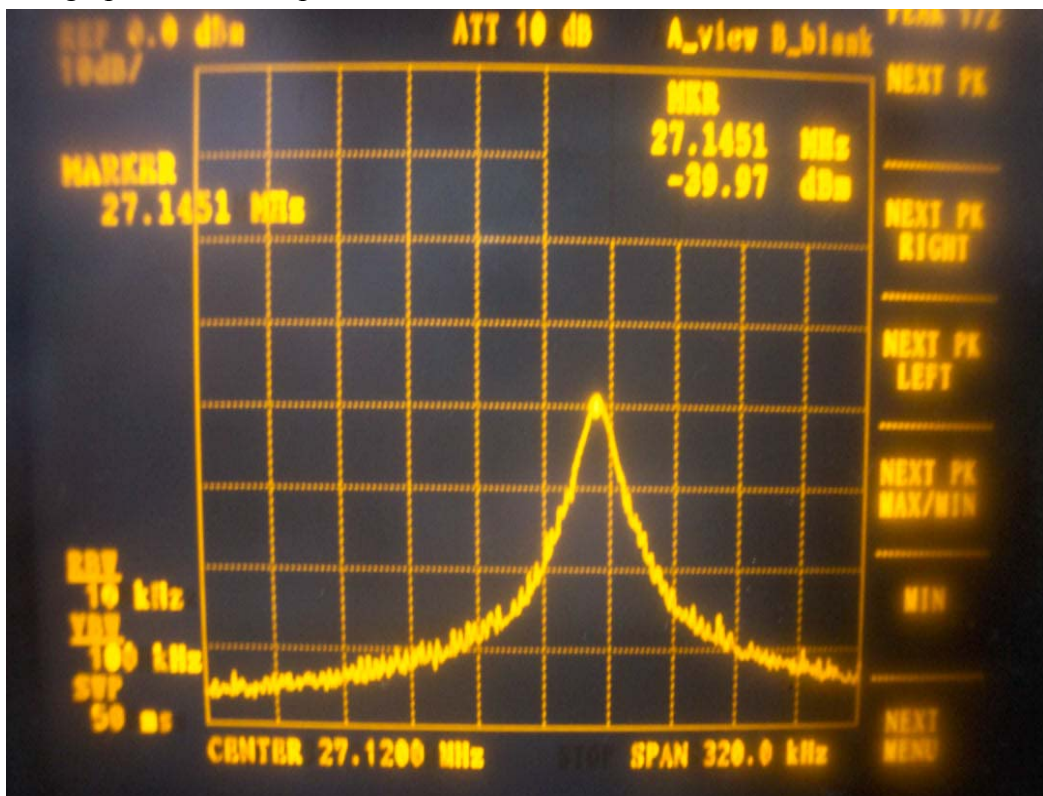
### 5.3.2 Occupied Bandwidth

Test Requirement: FCC Part 15 C  
Test Method: Based on FCC Part15 C Section 15.227:  
Operation within the band 26.96 – 27.28 MHz  
Test Date: 22 September 2004

Requirements: The field strength of any emissions which appear outside of this band shall not exceed the general radiated emission limits in Section 15.209.

Method of measurement: The useful radiated emission from the EUT was detected by the spectrum analyser with peak detector. The vertical Scale is set to -10dB per division.

The graph as below, represents the emissions take for this device.



**The results: The unit does meet the FCC Part 15 C requirements.**