



User Guide

Hand-held Barcode Scanner

NLS-HR15

Fujian Newland Auto-ID Tech Co., Ltd.

Disclaimer

© 2013 Fujian Newland Auto-ID Tech. Co., Ltd. All rights reserved.

Please read through the manual carefully before using the product and operate it according to the manual. It is advised that you should keep this manual for future reference.

Do not disassemble the device or remove the seal label from the device. Otherwise, Fujian Newland Auto-ID Tech. Co., Ltd. does not assume responsibility for the warranty or replacement.

All pictures in this manual are for reference only and actual product may differ. Regarding to the product modification and update, Fujian Newland Auto-ID Tech. Co., Ltd. reserves the right to make changes to any software or product to improve reliability, function, or design at any time without notice. Besides, the information contained herein is subject to change without prior notice.

The products depicted in this manual may include software copyrighted by Fujian Newland Auto-ID Tech. Co., Ltd or a third party. The user, corporation or individual, shall not duplicate, in whole or in part, distribute, modify, decompile, disassemble, decode, reverse engineer, rent, transfer or sublicense such software without prior written consent from the copyright holders.

This manual is copyrighted. No part of this publication may be reproduced or used in any form without written permission from Newland.

Fujian Newland Auto-ID Tech. Co., Ltd. reserves the right to make final interpretation of the statement above.

Fujian Newland Auto-ID Tech. Co., Ltd.

3F, Building A, No.1, Rujiang Xi Rd., Mawei, Fuzhou, Fujian, P.R. China. 350015.

<http://www.nlscan.com>

Revision History

Version	Description	Date
V1.0	Initial release.	December 25, 2011
V1.1	Corrected improper descriptions and moved the Enter/Exit Setup barcodes to page header and footer.	August 10, 2012
V1.2	Updates: 1. Added the “Pairing Settings” section in Chapter 2; added the Timeout between Decodes (Same Barcode) programming feature for the Sense and Continuous modes. 2. Added the “Improve Reliability of Communication between Cradle and PC” section in Chapter 4. 3. Added PDF417 and MicroPDF417 sample barcodes in Chapter 6.	February 28, 2013

Table of Contents

Revision History	- 3 -
Preface	1
Introduction	1
Chapter Description	1
Document Set	2
Chapter 1 Getting Started	3
Introduction	3
Unpacking	4
Scanner	4
CD15 Cradle	5
Communication Mode	6
CD15 Data Port	7
USB/RS-232 Port	8
Connect Cradle to a Host	9
Use USB Cable	9
Use RS-232 Cable	10
Power on, Sleep, Power off, Reboot	11
Maintenance	11
Depth of Field	12
Specifications	13
Dimensions of Scanner	14
Side View	14
Front View	14
Top View	15
Dimensions of CD15 Cradle	15
Scanning Instructions	16
Chapter 2 General Settings	18
Introduction	18
Barcode Programming	18
Command Programming	18
Programming Barcode/ Programming Command/Function	19

Use of Programming Barcodes	19
Use of Command	20
Programming Mode	20
Format of Command	20
Configuration Process Flow	22
Default Settings	23
Restore Factory Default Settings	23
Pairing Settings	24
Pair Scanner with Cradle	24
Pair Cradle with Zigbee Router	24
Clear Pairing Settings	24
Operating Mode Options	25
Power-Off Timeout	26
Scan Mode	27
Manual Mode	27
Auto Mode	28
Blink Mode	30
Sense Mode	31
Continuous Mode	34
Delayed Sense Mode	36
Security Setup	37
Decode Beep	38
Decode Area and Output Interval	40
Other Settings	41
Temporary Mute	41
Chapter 3 Inquiry Command	42
Introduction	42
Obtain Scanner Information	42
Obtain Cradle Information	43
Obtain Wireless Module Information	44
Chapter 4 Communication Settings	45
Introduction	45
Wireless Communication Setup	45
RS-232 Interface	46
Baud Rate	46
Parity Check	47
Stop Bit	47

Flow Control	48
Data Bit	49
USB Interface	50
USB HID-KBW	50
USB COM Port Emulation	50
Keyboard Parameters	51
Keyboard Layout	51
Inter-Character Delay	52
Convert Case	52
Improve Reliability of Communication between Cradle and PC	53
Enable Communication Support	53
Disable Communication Support	53
Chapter 5 Data Formatting	54
Introduction	54
Prefix Sequence	54
Custom Prefix	55
Enable/Disable Custom Prefix	55
Set Custom Prefix	55
AIM ID Prefix	56
Code ID Prefix	56
Custom Suffix	57
Enable/Disable Custom Suffix	57
Set Custom Suffix	57
Terminating Character Suffix	58
Enable/Disable Terminating Character Suffix	58
Set Terminating Character Suffix	59
Chapter 6 Symbologies	60
Introduction	60
Code 128	60
Restore Default Settings	60
Enable/Disable Code 128	60
Set Code ID	61
Set Length Range for Code 128	62
UCC/EAN-128	63
Restore Default Settings	63
Enable/Disable UCC/EAN-128	63
Set Code ID	64

Set Length Range for UCC/EAN-128	65
AIM 128	66
Restore Default Settings	66
Enable/Disable AIM 128	66
Set Code ID.....	67
Set Length Range for AIM 128	68
EAN-8	69
Restore Default Settings	69
Enable/Disable EAN-8.....	69
Set Code ID.....	70
2-Digit Add-On Code	71
5-Digit Add-On Code	72
EAN-8 Extension.....	73
Transmit Check Digit	73
EAN-13	74
Restore Default Settings	74
Enable/Disable EAN-13.....	74
Transmit Check Digit	75
Set Code ID.....	75
2-Digit Add-On Code	76
5-Digit Add-On Code	77
ISSN	78
Restore Default Settings	78
Enable/Disable ISSN.....	78
Set Code ID.....	79
ISBN	80
Restore Default Settings	80
Enable/Disable ISBN.....	80
Set ISBN Format	81
Set Code ID.....	81
UPC-E	82
Restore Default Settings	82
Enable/Disable UPC-E	82
Transmit Check Digit	83
Set Code ID.....	83
2-Digit Add-On Code	84
5-Digit Add-On Code	85
Transmit System Character "0"	86

UPC-E Extension	86
UPC-A	87
Restore Default Settings	87
Enable/Disable UPC-A	87
Set Code ID.....	88
Transmit Check Digit	89
Transmit Preamble Character "0"	89
2-Digit Add-On Code	90
5-Digit Add-On Code	91
Interleaved 2 of 5	92
Restore Default Settings	92
Enable/Disable Interleaved 2 of 5	92
Set Code ID.....	93
Parity Check.....	94
Set Length Range for Interleaved 2 of 5.....	95
ITF-6.....	96
Set Code ID.....	97
ITF-14	98
Set Code ID.....	99
Deutsche 14.....	100
Restore Default Settings	100
Enable/Disable Deutsche14	100
Set Code ID.....	101
Deutsche 12.....	102
Restore Default Settings	102
Enable/Disable Deutsche 12	102
Set Code ID.....	103
COOP 25 (Japanese Matrix 2 of 5).....	104
Restore Default Settings	104
Enable/Disable COOP 25.....	104
Set Code ID.....	105
Parity Check.....	106
Set Length Range for COOP 25.....	107
Matrix 2 of 5 (European Matrix 2 of 5)	108
Restore Default Settings	108
Enable/Disable Matrix 2 of 5	108
Set Code ID.....	109
Parity Check.....	110

Set Length Range for Matrix 2 of 5	111
Industrial 25	112
Restore Default Settings	112
Enable/Disable Industrial 25.....	112
Set Code ID.....	113
Parity Check.....	114
Set Length Range for Industrial 25.....	115
Standard 25	116
Restore Default Settings	116
Enable/Disable Standard 25.....	116
Set Code ID.....	117
Parity Check.....	118
Set Length Range for Standard 25.....	119
Code 39	120
Restore Default Settings	120
Enable/Disable Code 39.....	120
Set Code ID.....	121
Parity Check.....	122
Transmit Start/Stop Character	123
Enable/Disable Code 39 Full ASCII.....	123
Set Length Range for Code 39.....	124
Codabar	125
Restore Default Settings	125
Enable/Disable Codabar	125
Set Code ID.....	126
Parity Check.....	127
Start/Stop Character	128
Set Length Range for Codabar	129
Code 93	130
Restore Default Settings	130
Enable/Disable Code 93.....	130
Set Code ID.....	131
Parity Check.....	132
Set Length Range for Code 93.....	133
Code 11	134
Restore Default Settings	134
Enable/Disable Code 11	134
Set Code ID.....	135

Parity Check.....	136
Set Length Range for Code 11.....	137
Plessey.....	138
Restore Default Settings.....	138
Enable/Disable Plessey.....	138
Set Code ID.....	139
Parity Check.....	140
Set Length Range for Plessey.....	141
MSI-Plessey.....	142
Restore Default Settings.....	142
Enable/Disable MSI-Plessey.....	142
Set Code ID.....	143
Parity Check.....	144
Set Length Range for MSI-Plessey.....	145
GS1 Databar.....	146
Restore Default Settings.....	146
Enable/Disable GS1 Databar.....	146
Set Code ID.....	147
PDF417.....	148
Restore Default Settings.....	148
Enable/Disable PDF417.....	148
Set Code ID.....	149
Set Length Range for PDF417.....	150
Sample Barcodes.....	151
MicroPDF417.....	153
Restore Default Settings.....	153
Enable/Disable MicroPDF417.....	153
Set Code ID.....	154
Set Length Range for MicroPDF417.....	155
Sample Barcodes.....	156
Chapter 7 Appendix.....	158
Default Parameters Table.....	158
AIM ID Table.....	164
Code ID Table.....	166
Digit Barcodes.....	167
Save/Cancel Barcodes.....	169

Preface

Introduction

This manual provides detailed instructions for setting up and using the NLS-HR15 series cordless 1D barcode scanner NLS-HR1550-3E (hereinafter referred to as “**NLS-HR15 Hand-held Barcode Scanner**” or “**the scanner**”).

Chapter Description

- ✧ *Chapter 1, Getting Started* : This chapter gives a general description of NLS-HR15 Hand-held Barcode Scanner including its technical parameters.
- ✧ *Chapter 2, General Settings* : This chapter introduces two methods to configure the NLS-HR15 Hand-held Barcode Scanner: barcode programming and command programming.
- ✧ *Chapter 3, Inquiry Command* : This chapter describes how to obtain the information of NLS-HR15 Hand-held Barcode Scanner by scanning programming barcodes.
- ✧ *Chapter 4, Communication Settings* : This chapter describes how to configure communication modes, serial port parameters and USB function.
- ✧ *Chapter 5, Data Formatting* : This chapter describes how to use prefix and suffix to customize scanned data.
- ✧ *Chapter 6, Symbologies* : This chapter lists all compatible symbologies and describes how to configure the relevant parameters.
- ✧ *Chapter 7 Appendix* : This chapter offers default parameters tables and a bunch of frequently used programming barcodes.

Document Set

The documentation set for the NLS-NLS-HR15 Hand-held Barcode Scanner provides information for specific user needs and includes:

NLS-HR1550-3E Quick Start Guide

Describes how to get the NLS-HR15 Hand-held Barcode Scanner up and running, and introduces some basic operations.

NLS-HR1550-3E User Guide

Describes how to use and set the NLS-HR15 Hand-held Barcode Scanner.

1D Barcode Scanner Firmware Update Utility User Guide

Describes how to update the firmware in 1D barcode scanners with this tool developed by Newland.

EzSet123 Scanner Configuration Utility User Guide

Describes how to configure scanners with this tool developed by Newland.

NLS-HR15 Hand-held Barcode Scanner-PC Communication Support Tool User Guide

Describes how to use this tool we designed to improve the reliability of communication between NLS-HR15 Hand-held Barcode Scanner and PC.




99900031

** 【Enter Setup】

Chapter 1 Getting Started

Introduction

NLS-HR15 Hand-held Barcode Scanner is a 1D barcode scanner with excellent performance. Besides all common 1D symbologies, it can also read 2D stacked symbologies such as PDF417 and MicroPDF417. Based on the  technology independently developed by Newland, NLS-HR15 Hand-held Barcode Scanner is able to deliver rapid image acquisition and accurate decoding; it can provide customers with best services. NLS-HR15 Hand-held Barcode Scanner boasts the ergonomical design that ensures easy and comfortable operation.

An illustrated introduction to the NLS-HR15 Hand-held Barcode Scanner is included in this chapter. If you have an HR15 device at hand, make good use of it to develop a better understanding of this manual. This chapter is written for normal users, maintenance staff and software developers.



99900032

【Exit Setup】



** 【Enter Setup】

Unpacking

Open the package and take out NLS-HR15 Hand-held Barcode Scanner and its accessories. Check to make sure everything on the packing list is present and intact. If any contents are damaged or missing, please keep the original package and contact your dealer immediately for after-sale service.

***Note:** CD15, the cradle of NLS-HR15 Hand-held Barcode Scanner is individually wrapped.

Scanner

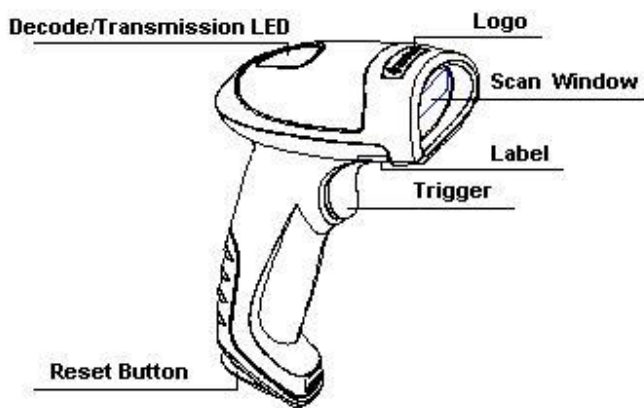


Fig. 1-1

Decode/Transmission LED Definitions:

Green Flash : Barcode decoded successfully.

Battery is fully charged.

Blue Flash : Zigbee is available.

Red Flash : Data transmission failed.

Device is charging.

Purple Flash: Firmware update is in progress.

There is data in FLASH memory.



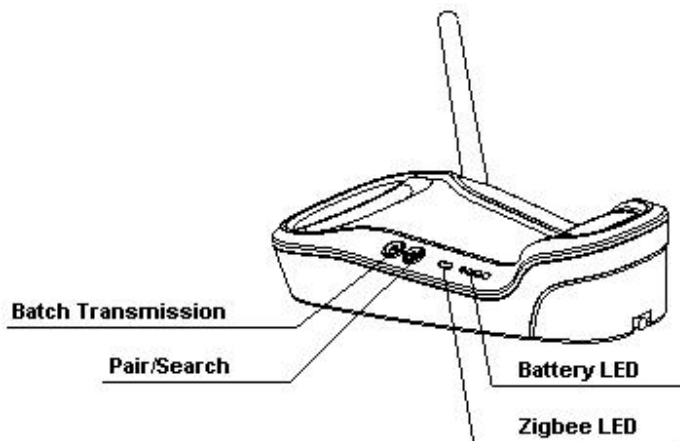
【Exit Setup】



99900031

** 【Enter Setup】

CD15 Cradle



Buttons:

P: Batch Transmission

M: Pair/Search

LEDs:

Zigbee LED (blue):

Zigbee is available.

Battery LED (green):

Indicates battery level (four levels)

Fig. 1-2



99900032

【Exit Setup】



99900031

** 【Enter Setup】

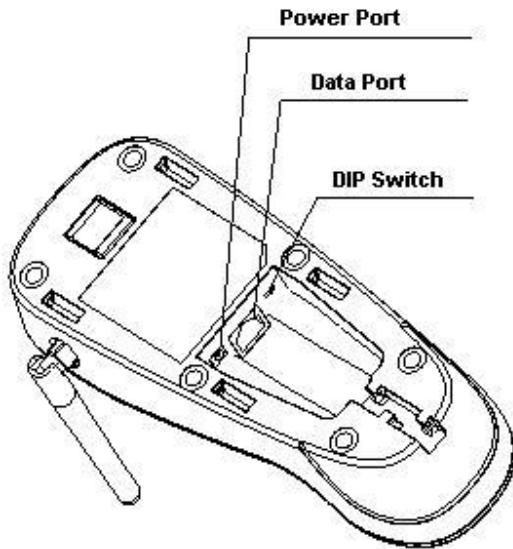


Fig. 1-3

Communication Mode

There are three communication modes: synchronous mode (default), asynchronous mode and batch mode.

◇ **Synchronous mode:**

If Zigbee is available, scanned data will be transferred to the cradle immediately after successfully decoded; if Zigbee is unavailable, the transmission of decoded data cannot be accomplished.

◇ **Asynchronous mode:**

If Zigbee is available, scanned data will be transferred to the cradle immediately after successfully decoded; if Zigbee is unavailable, the decoded data will be first stored in the flash memory in a FIFO (first in first out) manner, and be sent automatically to the cradle when Zigbee becomes available.

◇ **Batch mode:**

Whether Zigbee is available or not, the decoded data will be stored in the flash memory. To send the stored data to the cradle, you need to insert the scanner in the cradle and then press "P" button (see Fig.1-2) on the cradle.



99900032

【Exit Setup】



99900031

** 【Enter Setup】

CD15 Data Port

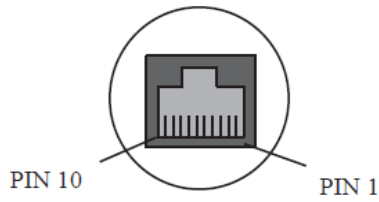


Fig. 1-4

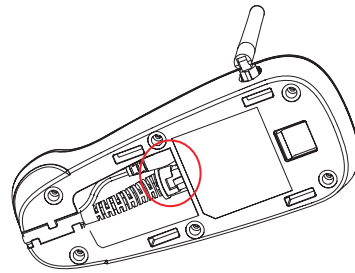


Fig. 1-5

Pinout of CD15 data port

PIN	Definition	Type	Description
1	NC	-	No connection
2	NC	-	No connection
3	VCC	P	Power+ (+5V)
4	TXD	O	RS-232 output
5	RXD	I	RS-232 input
6	CTS	I	Flow control signal
7	RTS	O	
8	GND	P	Ground
9	D-	I/O	USB signal
10	D+	I/O	



99900032

【Exit Setup】



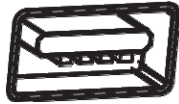
99900031

** 【Enter Setup】

USB/RS-232 Port

CD15 cradle must be connected to a Host in actual application, such as PC, POS or any intelligent terminal with USB or RS-232 port, via a communication cable, either USB or RS-232 cable.

✧ USB



USB port on the Host

✧ RS-232



RS-232 port on the Host

Note: Please check the port on the Host and purchase the right cable.



99900032

【Exit Setup】



99900031

** 【Enter Setup】

Connect Cradle to a Host

Use USB Cable

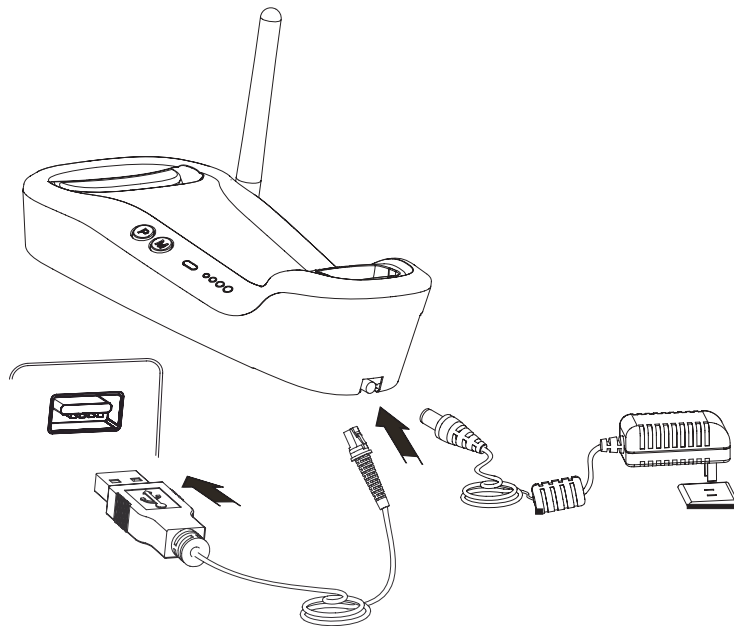


Fig. 1-6

Connect the CD15 cradle to a Host through a USB cable with RJ45 and USB connectors:

1. Plug the RJ45 connector into the data port (see Fig.1-3) on CD15 cradle.
2. Plug the USB connector into the USB port on the Host.



99900032

【Exit Setup】



99900031

** 【Enter Setup】

Use RS-232 Cable

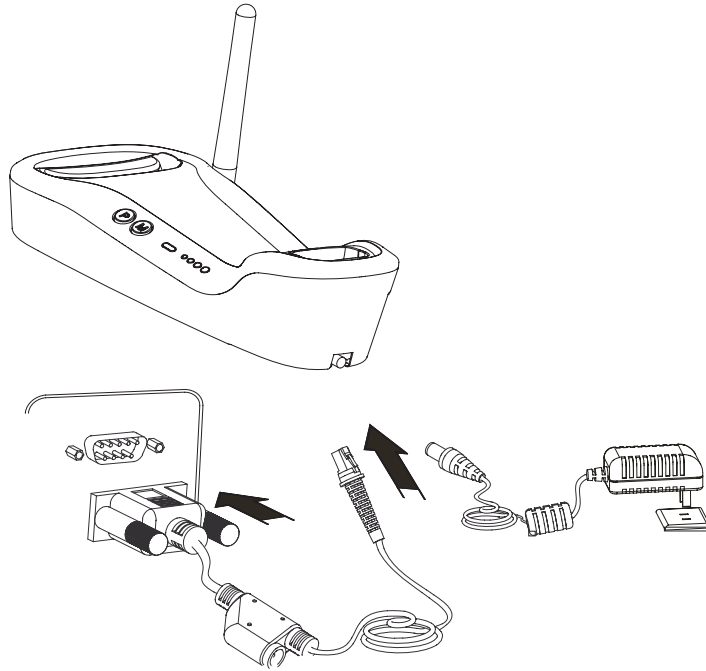


Fig. 1-7

Connect the CD15 cradle to a Host through a RS-232 cable with RJ45 and RS-232 connectors:

1. Plug the RJ45 connector into the data port (see Fig.1-3) on CD15 cradle.
2. Plug the RS-232 connector into the RS-232 port on the Host.
3. Plug the supplied power adapter into the power port (see Fig.1-3) on CD15 cradle.



99900032

【Exit Setup】



99900031

** 【Enter Setup】

Power on, Sleep, Power off, Reboot

Powering on the device

Hold down the trigger on the scanner for 1 second or longer.

Note: When using the scanner for the first time, the user **MUST** hold down the trigger for 10-15 seconds to exit battery protection mode and activate the scanner. The scanner emits several beeps to indicate success.

Entering the sleep mode

If the scanner is in the Manual mode, when no operation is performed on the device for 5 seconds, the scanner will automatically enter the sleep state.

Powering off the device

Scan the **Power Off** barcode. (see the “**Operating Mode Options**” section in Chapter 2)

Note: If the scanner is in the Manual mode, when no operation is performed on the device for a specific time period (default: 5 minutes, programmable), the scanner will be automatically turned off. (To change the time period, see the “**Power-off Timeout**” section in Chapter 2).

Rebooting the device

If the HR15 stops responding to input or runs abnormally, press the Reset button on the scanner to reboot it.

Maintenance

- ◇ The scan window should be kept clean.
- ◇ Do not scratch the scan window of the device.
- ◇ Use soft brush to remove the stain from the scan window.
- ◇ Use the soft cloth to clean the window, such as eyeglass cleaning cloth.
- ◇ Do not spray any liquid on the scan window.
- ◇ Clean other parts of the device with water only.

Note: The warranty **DOES NOT** cover damages caused by inappropriate care and maintenance.



99900032

【Exit Setup】



99900031

** 【Enter Setup】

Depth of Field

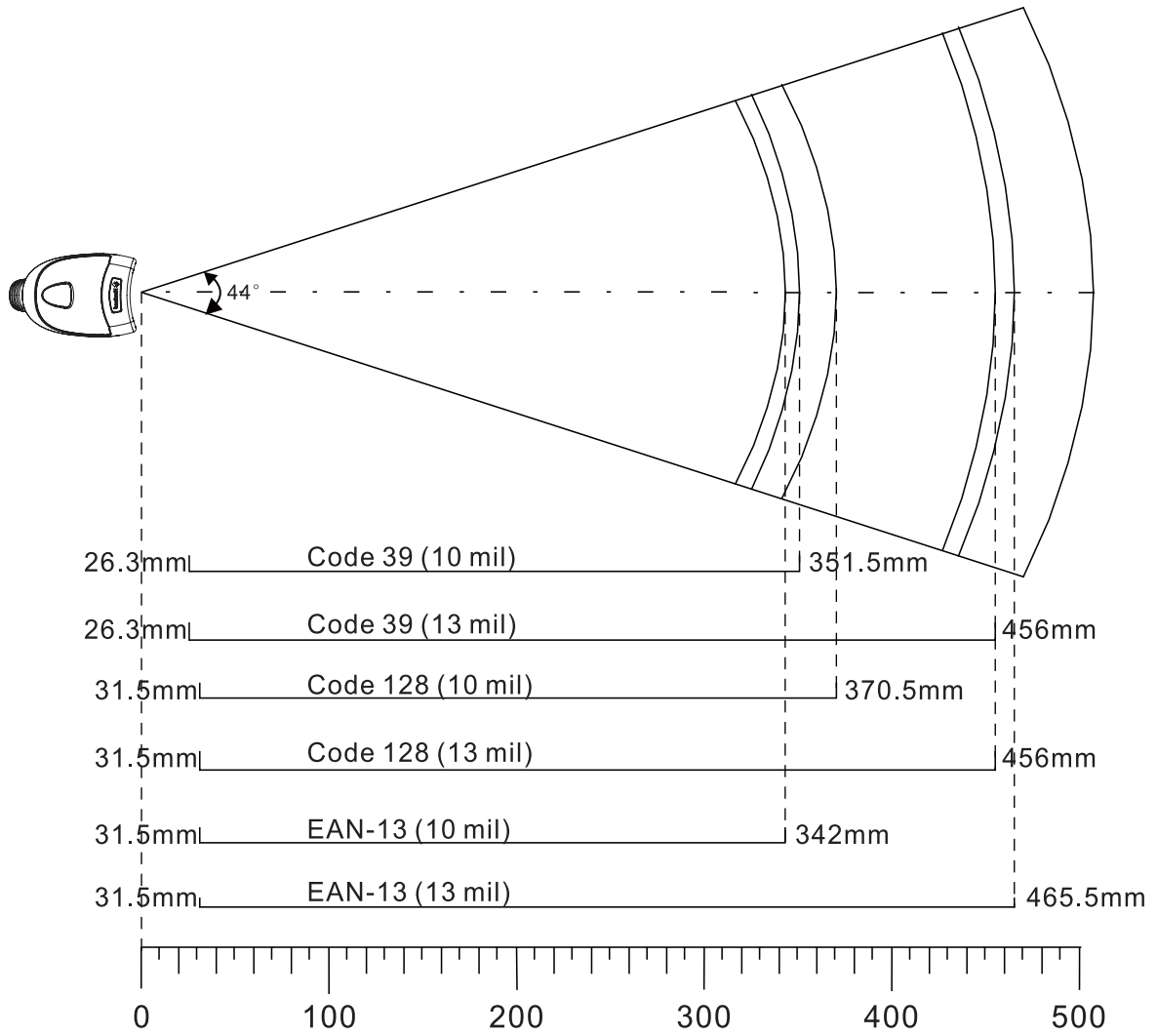


Fig. 1-8



99900032

【Exit Setup】



99900031

** 【Enter Setup】

Specifications

Performance

Light Source	620nm visible red LED
Image Sensor	CCD linear image sensor
Symbologies	Code128, EAN-13, EAN-8, Code 39,UPC-A, UPC-E, Codabar, Interleaved 2 of 5, ISBN, Code 93, UCC/EAN-128, GS1 Databar, PDF417 (max. 255 bytes), MicroPDF417 (max. 255 bytes), etc.
Resolution	≥ 4mil
	Pitch ± 55°
Scan Angle**	Roll ± 30°
	Skew ± 75°
Minimum Symbol Contrast	30%
Scan Rate	300 scans per second
Interface	RS-232, USB 1.1

Physical

Dimensions of Scanner(L x W x H)	113.5 x 73 x 159 mm
Dimensions of Cradle(L x W x H)	195 x 82.5 x 47 mm
Weight of Scanner	210 g (including battery)
Weight of Cradle	150 g
Indication	Beep and LED
Power Adaptor	Output: DC5V, 1.5A, Input: AC100~240V, 50~60Hz

Environmental

Operating Temperature	-10°C to 50°C (14°F to 122°F)
Storage Temperature	-20°C to 60°C (-4°F to 140°F)
Humidity	5% ~ 95% (non-condensing)
ESD	±8 kV contact discharge; ±12 kV air discharge
IP Seal	IP54

Wireless Connectivity

Communication Mode	Synchronous, Asynchronous and Batch modes
Wireless Technology	2.4 ~ 2.4835 GHz ISM band, Zigbee technology
Communication Distance	50 m
Data Rate	20 KBps
Battery	2200mAh Li-ion Battery
Working Time	>17 hours
Charging Time	Around 4 hours for full charge
Number of Scans	60,000 scans per charge

Certifications

FCC Part15 Class B, CE EMC Class B



99900032

【Exit Setup】



** 【Enter Setup】

**Test conditions: Code 39, 3 Bytes; Narrow Space=10mil; Width:Narrow=2.5:1; PCS=0.8; Barcode Height=40mm; Scan Distance=210mm, Ambient Temperature=23°C, Illumination= 200 LUX

Dimensions of Scanner

Side View

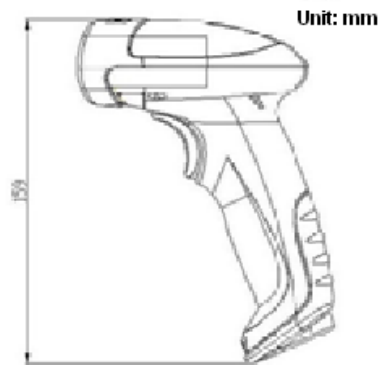


Fig. 1-9

Front View

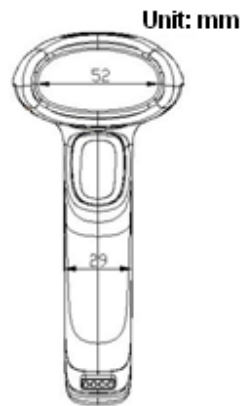


Fig. 1-10



【Exit Setup】



99900031

** 【Enter Setup】

Top View

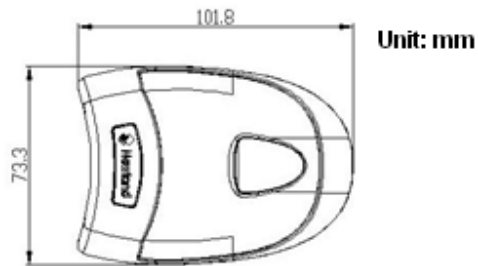


Fig. 1-11

Dimensions of CD15 Cradle

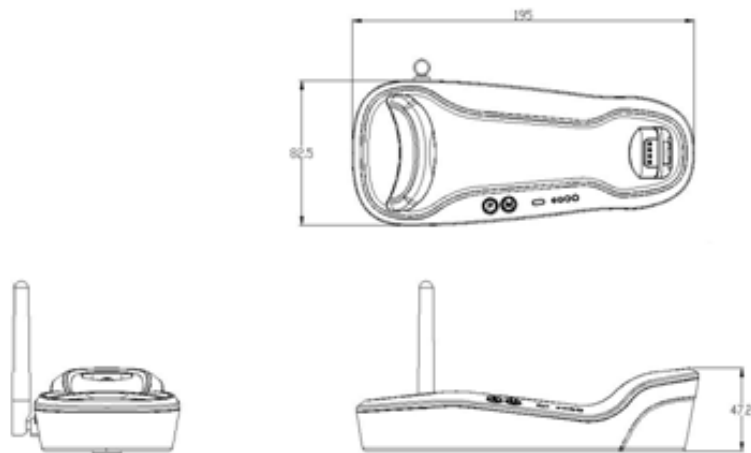


Fig. 1-12



99900032

【Exit Setup】



** 【Enter Setup】

Scanning Instructions

When the NLS-HR15 Hand-held Barcode Scanner is in the Manual mode (default), you can follow the steps below to scan a barcode:

1. Hold down the trigger. Then the scanner will project a red aiming beam.
2. Aim the red beam across the center of barcode, as shown in Fig.1-13.
3. Release the trigger when the scanner beeps and the red beam goes off. If the barcode is decoded successfully, the data will be sent to the Host.

Note: For the same batch of barcodes, the scanner will keep a very high success ratio in certain distance which can be regarded as the optimal scanning distance.

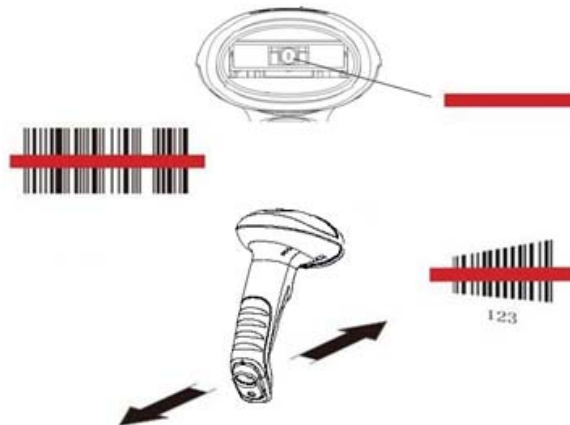


Fig. 1-13



【Exit Setup】



99900031

** 【Enter Setup】

Scan Angle

The scanner is designed to function within a certain range of scan angles. Any unreasonable deviation may cause decoding failure.

Scan angles of the HR15:

- ◇ Pitch : $\pm 55^\circ$, 0° Roll and 0° Skew (Fig. 1-14)
- ◇ Roll : $\pm 30^\circ$, 0° Pitch and 0° Skew (Fig. 1-15)
- ◇ Skew: $\pm 75^\circ$, 0° Roll and 0° Pitch (Fig. 1-16)

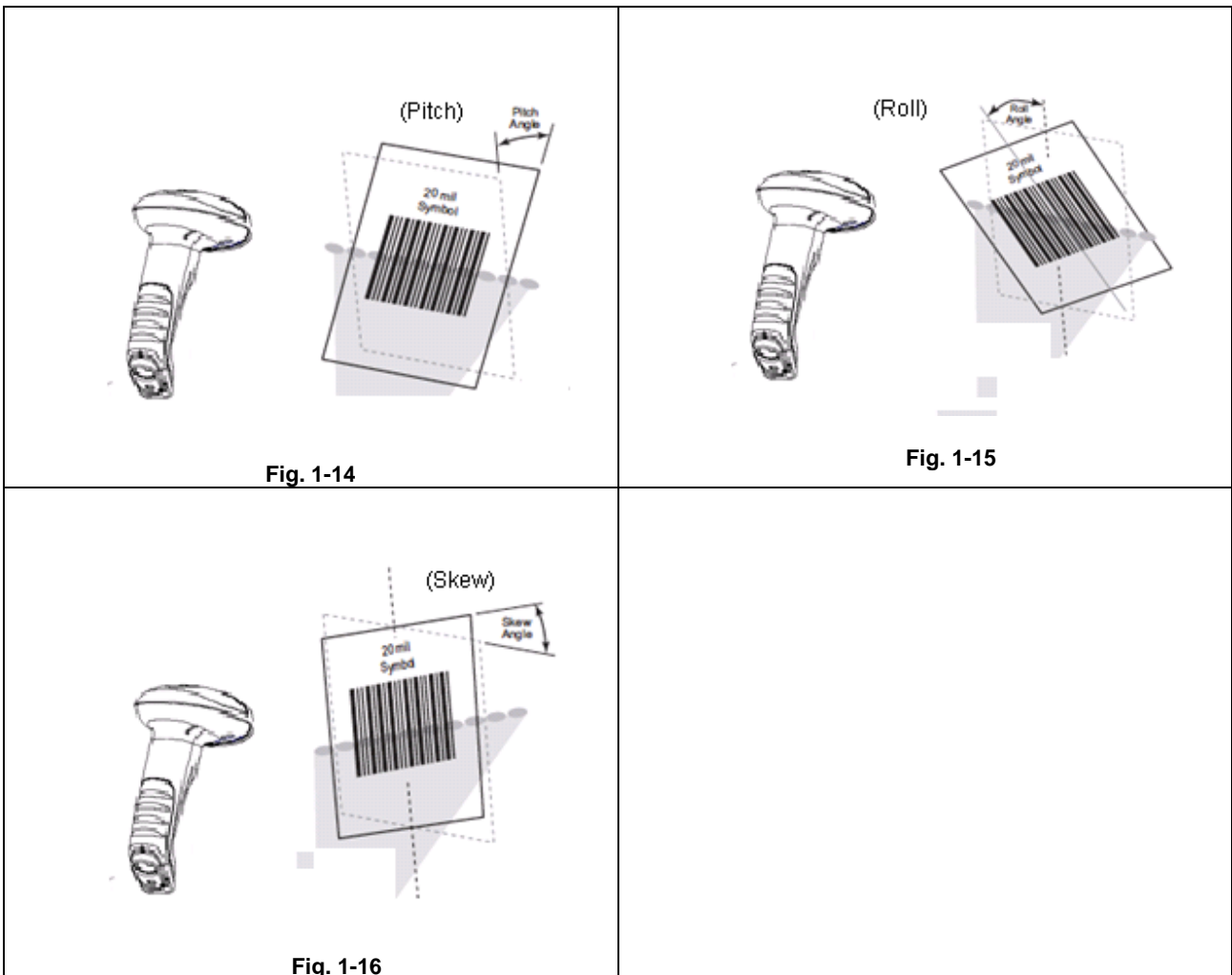


Fig. 1-14

Fig. 1-15

Fig. 1-16



99900032

【Exit Setup】



** 【Enter Setup】

Chapter 2 General Settings

Introduction

There are two ways to configure the NLS-HR15 Hand-held Barcode Scanner: barcode programming and command programming.

Barcode Programming

The NLS-HR15 Hand-held Barcode Scanner scans a series of barcodes to program features. In the following sections, we will explain the available options and features and provide the barcodes to program them.

This programming method is most straightforward. However, it requires manually scanning barcodes. As a result, errors are more likely to occur.

Command Programming

You can send the command strings through the Host to your scanner to perform configuration. In the following sections, the commands will be provided along with programming barcodes.

This configuration can also be performed through our software. For more information, see the “**EzSet123 Scanner Configuration Utility User Guide**”.

Note: All settings except temporary ones are stored in non-volatile memory of the scanner and will not be lost by removing power from the scanner, or turning off/ rebooting the device.



【Exit Setup】



99900031

** 【Enter Setup】

Programming Barcode/ Programming Command/Function



The figure above is an example that shows you the programming barcode and command for the Enter Setup function:

1. The **Enter Setup** barcode.
2. The **Enter Setup** command.
3. The function that can be enabled by using the programming barcode or command listed above.
4. ** indicates factory default settings.

Use of Programming Barcodes

Scanning the **Enter Setup** barcode can enable the scanner to enter the setup mode. Then you can scan a number of programming barcodes to configure your scanner.

The NLS-HR15 Hand-held Barcode Scanner is in the setup mode by default. In real application, programming barcodes hardly overlap with non-programming barcodes, so it is unnecessary to exit the setup mode each time you finish the configuration.

Some functions or options may involve parameter value settings that require scanning numeric barcodes. To find the numeric barcodes, see the “**Digit Barcodes**” section in Chapter 7.



99900032

【Exit Setup】



** 【Enter Setup】

Use of Command

Based on serial port communication, programming commands can be composed of printable ASCII characters, 0x20 (space) through 0x7D (“”).

Programming Mode

Before configuring the NLS-HR15 Hand-held Barcode Scanner through serial communication, the device must enter the programming mode; in such mode, the device will only accept and process commands and respond accordingly.

You can enable the device to enter or exit the programming mode by sending the specified commands to it. In the event that the device receives no data for 5 seconds, it will exit the programming mode automatically.

Format of Command

1. Enter the programming mode: send “\$\$\$” from the Host to the scanner, the scanner returns a reply of “@@@” to indicate success.
2. Exit the programming mode: send “%%” from the Host to the scanner, the scanner returns a reply of “^^^” to indicate success.
3. Receiving “^^^” from the scanner when the Host did not send “%%” to it indicates the scanner has automatically exit the setup mode.
4. A command string consists of “#”, programming command and “;”, such as “#99900030;”.
5. If a command string is properly processed, the scanner will return a reply consisting of “!” , programming command and “;”, such as “!99900030;”.
6. If the scanner receives an invalid command string or fails to process a command string, it will return a reply consisting of “?” , programming command and “;”, such as “?99900030;”.
7. If a query command is properly processed, the scanner will return a reply containing “!” , programming command and “;”, as well as “&{”, query result and “}”. For example:

send a query command of “#99900301;” to get the firmware version information,

the Host will receive a reply of “!99900301;&{Firmware v1.7.5;Decoder v1.00.023.C6;}FD25430B”.

Description:

In the reply, “Firmware v1.7.5;Decoder v1.00.023.C6” is the query result; “!” is a separator; and “FD25430B” is the CRC32 checksum value in hexadecimal format.



【Exit Setup】



99900031

** 【Enter Setup】

8. If a command involves parameter(s), they shall be combined as per the rule.

For example: The combined commands for appending terminating character suffix 0x0D (CR),0x0A (LF) to the scanned data and saving the settings:

"#99904112;#99900000;#99900015;#99900000;#99900012;#99900020;".



99900032

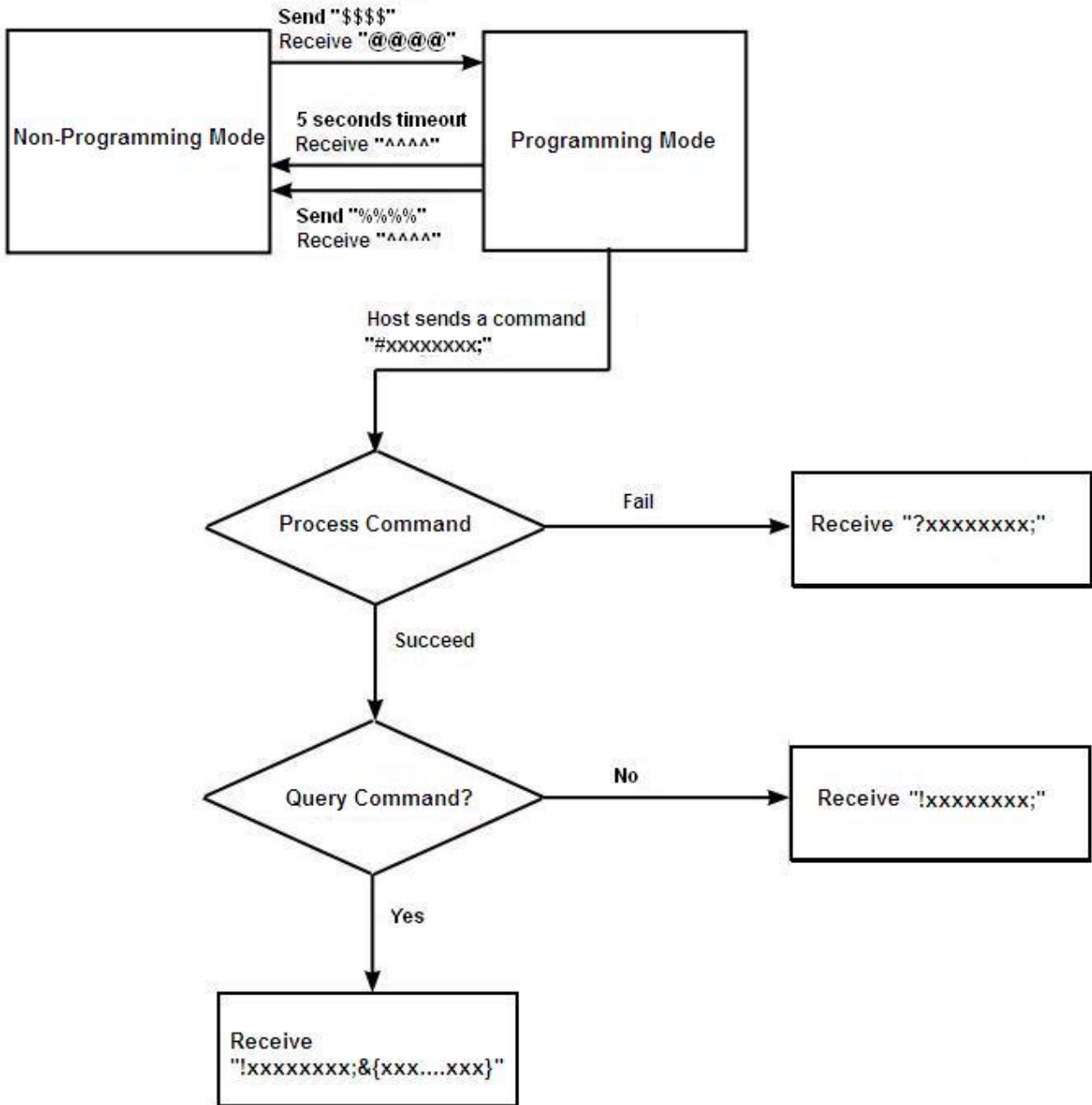
【Exit Setup】



99900031

** 【Enter Setup】

Configuration Process Flow



99900032

【Exit Setup】



99900031

** 【Enter Setup】

Default Settings

Restore Factory Default Settings

Scanning the **Reset Scanner** barcode/the **Reset Cradle** barcode can restore the scanner/cradle to the factory default settings.

You may need to reset your scanner/cradle when:

1. scanner/cradle is not properly configured so that it fails to decode barcodes or to communicate with cradle;
2. you forget previous configuration and want to avoid its impact;
3. functions that are rarely used have been enabled for the time being.



99900030

【Reset Scanner】



99900041

【Reset Cradle】



99900032

【Exit Setup】



99900031

** 【Enter Setup】

Pairing Settings

Pair Scanner with Cradle

The scanner and cradle must be paired for communication to occur. A cradle can be paired with multiple scanners.

You need to perform this operation manually: After the scanner and cradle are powered on, insert the scanner in the cradle and then press the “M” button on the cradle.

Note: The number of scanners allowed to pair with a cradle varies from one application to another. Consult our technical support if you need more information.

Pair Cradle with Zigbee Router

A CD15 cradle with its DIP switch (see Fig. 1-3) in the “R” position can function as a Zigbee router. You can extend communication distance of the cradle by pairing multiple Zigbee routers with it.

Follow the procedure below to pair a cradle with a Zigbee router: a. Pair a scanner with the cradle; b. Insert the scanner in the Zigbee router and then press the “M” button on the router.

A CD15 cradle with its DIP switch (see Fig. 1-3) in the “C” position works a normal cradle.

Note: The number of Zigbee routers allowed to pair with a cradle varies from one application to another. Consult our technical support if you need more information.

Clear Pairing Settings

Scanning the **Undo Pairing** barcode can delete all pairing information.



99900015

【Undo Pairing】



99900032

【Exit Setup】



99900031

** 【Enter Setup】

Operating Mode Options



99900100

【Power Off】



99900103

【Test Mode¹】



99900104

【Reboot Scanner】



99900105

【Reboot Cradle】

Note¹: Pressing the trigger on the scanner or rebooting the device can exit the Test mode.



99900032

【Exit Setup】



99900031

** 【Enter Setup】

Power-Off Timeout

The NLS-HR15 Hand-held Barcode Scanner that stays in the sleep mode will be automatically powered off when the timeout occurs (default: 5 minutes). Scan the barcode below to set this parameter.



99900170

** 【5 Minutes】



99900171

【10 Minutes】



99900172

【20 Minutes】



99900173

【30 Minutes】



99900174

【60 Minutes】



99900175

【Disable Auto Power Off】



99900032

【Exit Setup】



99900031

** 【Enter Setup】

Scan Mode

Manual Mode

Manual Mode (default): A trigger pull activates a decode session. The decode session continues until the barcode is decoded or you release the trigger or the decode session timeout occurs (default: 15 seconds; programmable).



99900110

** 【Manual Mode】

Decode Session Timeout: This parameter sets the maximum time decode session continues during a scan attempt. The default timeout is 15s.

To program this parameter, scan the **Decode Session Timeout** barcode and the numeric barcodes. To find the numeric barcodes, see the “**Digit Barcodes**” section in Chapter 7.



99900150

【Decode Session Timeout】

Note: Decode Session Timeout: 01-15, corresponding to 1s, 2s, …, 15s (default), in 1s increments; **00**: infinite.



99900032

【Exit Setup】



** 【Enter Setup】

Auto Mode

Auto Mode: Pressing the trigger activates a decode session. The decode session continues until the barcode is decoded or the decode session timeout occurs (default: 15 seconds; programmable). The scanner automatically starts one session after another until you press the trigger a second time.



【Auto Mode】



【Exit Setup】



99900031

** 【Enter Setup】

Decode Session Timeout: This parameter sets the maximum time decode session continues during a scan attempt. The default timeout is 15s.

To program this parameter, scan the **Decode Session Timeout** barcode and the numeric barcodes. To find the numeric barcodes, see the “**Digit Barcodes**” section in Chapter 7.

Note: Decode Session Timeout: 01-15, corresponding to 1s, 2s, …, 15s (default), in 1s increments; **00**: infinite.

You can also configure whether to allow rereading same barcode. By default, rereading same barcode is not allowed.



99900150

【Decode Session Timeout】



99900155

** 【Disallow Rereading Same Barcode】



99900156

【Allow Rereading Same Barcode】



99900157

【Recalculate Timeout After Good Read】

◇ **Allow Rereading Same Barcode**

This allows the scanner to reread the same barcode that has been decoded in the previous session.

◇ **Disallow Rereading Same Barcode**

This protects against accidental rereads of the same barcode. If the barcode being scanned is identical with the one previously scanned, the decode session will suspend until a different barcode comes up.

◇ **Recalculate Timeout After Good Read**

The decode session timeout restarts after a good read.



99900032

【Exit Setup】



99900031

** **【Enter Setup】**

Blink Mode

Blink Mode: The scanner automatically activates a decode session. The decode session continues until the barcode is decoded or the decode session timeout occurs (100ms; non-programmable). When a decode session is completed, the scanner waits until the timeout between decodes occurs (default: 1s, programmable) and then starts next session. The scanner continues to work in this pattern.

Pressing the trigger can also activate a decode session; holding down the trigger can suspend decode session.

Timeout between Decodes: This parameter sets the time period between the end of one decode session and the start of next session. It is programmable in 0.5s increments from 0s to 7.5s. The default timeout is 1s. To program this parameter, scan the **Timeout between Decodes** barcode and the numeric barcodes.

Note: Timeout between Decodes: 00-15, corresponding to 0s, 0.5s, 1s (default), …, 7.5s, in 0.5s increments.



99900112

【Blink Mode】



99900151

【Timeout between Decodes】

Example: Set the Timeout between Decodes to 5s (level 10)

1. Scan the **Enter Setup** barcode.
2. Scan the **Timeout between Decodes** barcode.
3. Scan the numeric barcodes "1" and "0" . (See the "**Digit Barcodes**" section in Chapter 7)
4. Scan the **Exit Setup** barcode.



99900032

【Exit Setup】



99900031

** 【Enter Setup】

Sense Mode

Sense Mode: The scanner activates a decode session every time when it detects a change in ambient illumination (excluding the situation when change is detected before the timeout between decodes occurs). Decode session continues until the barcode is decoded or the decode session timeout occurs.

Pressing the trigger can also activate a decode session. Holding down the trigger can suspend decode session. Same barcode cannot be reread before the timeout between decodes (same barcode) occurs.



99900113

【Sense Mode】

Decode Session Timeout: This parameter sets the maximum time decode session continues during a scan attempt. The default timeout is 15s. To program this parameter, scan the **Decode Session Timeout** barcode and the numeric barcodes.

Timeout between Decodes: This parameter sets the time period between the end of one decode session and the start of next session. It is programmable in 0.5s increments from 0s to 7.5s. The default timeout is 1s. To program this parameter, scan the **Timeout between Decodes** barcode and the numeric barcodes.

Note: Decode Session Timeout: 01-15, corresponding to infinite, 1s, 2s, ..., 15s (default), in 1s increments; **00**: infinite.

Timeout between Decodes: 00-15, corresponding to 0s, 0.5s, 1s (default), ..., 7.5s, in 0.5s increments.



99900150

【Decode Session Timeout】



99900151

【Timeout between Decodes】



99900032

【Exit Setup】



** 【Enter Setup】

Sensitivity specifies the degree of acuteness of the scanner's response to changes in ambient illumination. The higher the sensitivity, the lower requirement in illumination change to trigger the scanner. You can select an appropriate degree of sensitivity that fits the ambient environment. By default, High Sensitivity is enabled.



** 【High Sensitivity】



【Low Sensitivity】



【Medium Sensitivity】



【Custom Sensitivity】

It is recommended not to set the custom sensitivity when one of the other three options can meet your needs.

Note: Sensitivity: 00-0F; the smaller the number, the higher the sensitivity.

Example: Set the sensitivity to level 5

1. Scan the **Enter Setup** barcode.
2. Scan the **Custom Sensitivity** barcode.
3. Scan the numeric barcodes "0" and "5". (See the "**Digit Barcodes**" section in Chapter 7)
4. Scan the **Exit Setup** barcode.



【Exit Setup】



99900031

** 【Enter Setup】

Timeout between Decodes (Same Barcode): This parameter sets the minimum time between decodes for the same barcode. It protects against accidental rereads of the same barcode. It is programmable in 0.1s increments from 0s to 12s. If you want to stop the scanner from rereading the same barcode, set this parameter to 127. The default timeout is 1.6s. To program this parameter, scan the **Timeout between Decodes (Same Barcode)** barcode, the numeric barcode(s) and the **Save** barcode.



99900167

【Timeout between Decodes (Same Barcode)】

Note: Timeout between Decodes (Same Barcode): 0-120, corresponding to 0s, 0.1s, ..., 1.6s (default), ..., 12s, in 0.1s increments; **127:** infinite.

Example: Set the timeout between decodes (same barcode) to 5s

1. Scan the **Enter Setup** barcode.
2. Scan the **Timeout between Decodes (Same Barcode)** barcode.
3. Scan the numeric barcodes "5" and "0". (See the "**Digit Barcodes**" section in Chapter 7)
4. Scan the **Save** barcode. (See the "**Save/Cancel Barcodes**" section in Chapter 7)
5. Scan the **Exit Setup** barcode.



99900032

【Exit Setup】



** 【Enter Setup】

Continuous Mode

Continuous Mode: The scanner automatically activates a decode session. The decode session continues until the barcode is decoded. When a decode session is completed, the scanner waits until the timeout between decodes occurs and then starts next session. The scanner continues to work in this pattern. Same barcode cannot be reread before the timeout between decodes (same barcode) occurs.

Holding down the trigger can also activate the scanner to decode continuously, but with no intervals (i.e. timeout between decodes will be ignored).



【Continuous Mode】



【Exit Setup】



99900031

** 【Enter Setup】

Timeout between Decodes: This parameter sets the time period between the end of one decode session and the start of next session. It is programmable in 0.5s increments from 0s to 7.5s. The default timeout is 1s. To program this parameter, scan the **Timeout between Decodes** barcode and the numeric barcodes.

Note: Timeout between Decodes: 00-15, corresponding to 0s, 0.5s, 1s (default), ..., 7.5s, in 0.5s increments.



99900151

【Timeout between Decodes】

Timeout between Decodes (Same Barcode): This parameter sets the minimum time between decodes for the same barcode. It protects against accidental rereads of the same barcode. It is programmable in 0.1s increments from 0s to 12s. If you want to stop the scanner from rereading the same barcode, set this parameter to 127. The default timeout is 1.6s. To program this parameter, scan the **Timeout between Decodes (Same Barcode)** barcode, the numeric barcodes and the **Save** barcode.

Note: Timeout between Decodes (Same Barcode): 0-120, corresponding to 0s, 0.1s, ..., 1.6s (default), ..., 12s, in 0.1s increments; **127**: infinite.



99900167

【Timeout between Decodes (Same Barcode)】

Example: Set the timeout between decodes (same barcode) to 5s:

- 1.Scan the **Enter Setup** barcode.
- 2.Scan the **Timeout between Decodes (Same Barcode)** barcode.
- 3.Scan the numeric barcodes “5” and “0”. (See the “**Digit Barcodes**” section in Chapter 7)
- 4.Scan the **Save** barcode. (See the “**Save/Cancel Barcodes**” section in Chapter 7)
- 5.Scan the **Exit Setup** barcode.



99900032

【Exit Setup】



99900031

** 【Enter Setup】

Delayed Sense Mode

Delayed Sense Mode: The scanner automatically activates a decode session when it detects a change in ambient illumination. The decode session continues until the barcode is decoded or the decode session timeout occurs. When a decode session is completed, the scanner waits 200ms and then starts to monitor ambient environment until it detects a change to trigger next decode session. Same barcode cannot be reread before the timeout between decodes (same barcode) occurs.



99900115

【Delayed Sense Mode】

Decode Session Timeout: This parameter sets the maximum time decode session continues during a scan attempt. To program this parameter, scan the **Decode Session Timeout** barcode and the numeric barcodes.

Timeout between Decodes (Same Barcode): This parameter sets the minimum time between decodes for the same barcode. It protects against accidental rereads of the same barcode. It is programmable in 0.2s increments from 0s to 3s. To program this parameter, scan the **Timeout between Decodes (Same Barcode)** barcode and the numeric barcodes.

Note: Decode Session Timeout: 01-15, corresponding to 2s, 4s, ..., 30s, in 2s increments; **00**: infinite.

Timeout between Decodes (Same Barcode): 00-15, corresponding to 0s, 0.2s, ..., 3s, in 0.2s increments.



99900150

【Decode Session Timeout】



99900151

【Timeout between Decodes (Same Barcode)】



99900032

【Exit Setup】



99900031

** 【Enter Setup】

Security Setup

This parameter specifies the number of times to decode a barcode during a scan attempt. The higher the security level, the lower the error rate and decoding efficiency. By default, security is set to be level 1.



99900120

** 【Set Security Level to 1】



99900122

【Set Security Level to 3】



99900121

【Set Security Level to 2】



99900123

【Set Security Level to 4】



99900032

【Exit Setup】



99900031

** 【Enter Setup】

Decode Beep

By default, the scanner emits a medium-pitched loud beep that lasts 150ms after good decode.



99900130

【Do Not Beep After Good Decode】



99900135

【Medium-Pitched Medium-Loud Beep】



99900131

【High-Pitched Loud Beep】



99900136

【Medium-Pitched Low Beep】



99900132

【High-Pitched Medium-Loud Beep】



99900137

【Low-Pitched Loud Beep】



99900133

【High-Pitched Low Beep】



99900140

【Low-Pitched Medium-Loud Beep】



99900134

** 【Medium-Pitched Loud Beep】



99900141

【Low-Pitched Low Beep】



99900032

【Exit Setup】



99900031

** 【Enter Setup】



99900142

** 【Set Beep Length to 150ms】



99900144

【Set Beep Length to 50ms】



99900143

【Set Beep Length to 100ms】



99900032

【Exit Setup】



** 【Enter Setup】

Decode Area and Output Interval

You can set the number of barcodes allowed to be read per scan. By default, the **Read One Barcode Nearest to the Center Per Scan** option is enabled.

You can also set the decoded data output interval. By default, output interval is 0ms.



【Read 2 Barcodes Per Scan】



【Read 3 Barcodes Per Scan】



【Read 4 Barcodes Per Scan】



** 【Set Output Interval to 0ms】



【Set Output Interval to 50ms】



** 【Read One Barcode Nearest to the Center Per Scan】



【Read One Barcode At The Center Per Scan】



【Set Output Interval to 100ms】



【Set Output Interval to 150ms】



【Exit Setup】



99900031

** 【Enter Setup】

Other Settings

Temporary Mute



99900040

【Enable Temporary Mute】



99900041

【Disable Temporary Mute】

Note: Temporary Mute is only applicable to decode beep and will be disabled after you reboot the scanner.



99900032

【Exit Setup】



99900031

** 【Enter Setup】

Chapter 3 Inquiry Command

Introduction

This chapter provides programming barcodes you may need to obtain device information.

Obtain Scanner Information

You can scan one of the barcodes below to inquire the scanner information. The results will be sent to the Host.



99900300

【Inquire All Information About Scanner】



99900303

【Inquire the Manufacture Date of Scanner】



99900301

【Inquire the Firmware Version of Scanner】



99900304

【Inquire the Model Number of Scanner】



99900302

【Inquire the Serial Number of Scanner】



99900032

【Exit Setup】



99900031

** **【Enter Setup】**

Obtain Cradle Information

You can scan one of the barcodes below to inquire the information about CD15 Cradle. The results will be sent to the Host.



99900320

【Inquire All Information About Cradle】



99900321

【Inquire the Firmware Version of Cradle】



99900322

【Inquire the Serial Number of Cradle】



99900323

【Inquire the Manufacture Date of Cradle】



99900324

【Inquire the Model Number of Cradle】



99900032

【Exit Setup】



** 【Enter Setup】

Obtain Wireless Module Information

You can scan one of the barcodes below to inquire the information about wireless module. The results will be sent to the Host.



【Inquire the Number Barcodes in Flash Memory】



【Delete All Barcodes in Flash Memory】



【Inquire the Wireless Module Status】

Note: Inquire the Wireless Module Status: Inquire wireless connection status and communication mode.



【Exit Setup】



99900031

** 【Enter Setup】

Chapter 4 Communication Settings

Introduction

Three types of wireless communication between scanner and cradle: synchronous, asynchronous and batch modes.

Two types of wired communication between cradle and the Host: RS-232 and USB.

Wireless Communication Setup

Wireless communication modes include Synchronous (default), Asynchronous and Batch modes.

- ◇ **Synchronous Mode:** If Zigbee is available, scanned data will be transferred to the cradle immediately after successfully decoded; if Zigbee is unavailable, the transmission of decoded data cannot be accomplished.
- ◇ **Asynchronous Mode:** If Zigbee is available, scanned data will be transferred to the cradle immediately after successfully decoded; if Zigbee is unavailable, the decoded data will be first stored in the flash memory in a FIFO (first in first out) manner, and be sent automatically to the cradle when Zigbee becomes available.
- ◇ **Batch Mode:** The decoded data will be stored in the flash memory no matter whether Zigbee is available or not. To send the stored data to the cradle, you need to insert the scanner in the cradle and then press "P" button on the cradle.



99904310

** 【Synchronous Mode】



99904311

【Asynchronous Mode】



99904312

【Batch Mode】



99900032

【Exit Setup】



** 【Enter Setup】

RS-232 Interface

Baud Rate

When the CD15 cradle is connected to the Host via serial port, you need to set communication parameters (including baud rate, parity check, data bit and stop bit) to match the host device.

Baud rate is the number of bits of data transmitted per second. Set the cradle's baud rate to match the Host requirements. Otherwise, data may not reach the Host or may reach it in distorted form. The default baud rate is 115200.



【Baud Rate 4800】



【Baud Rate 9600】



【Baud Rate 14400】



【Baud Rate 19200】



【Baud Rate 38400】



【Baud Rate 57600】



** 【Baud Rate 115200】



【Exit Setup】



99900031

** **【Enter Setup】**

Parity Check

By default, the **None** option is enabled.



99902120

** **【None】**



99902122

【Even】



99902121

【Odd】

Stop Bit

By default, the **1 Stop Bit** option is enabled.



99902131

** **【1 Stop Bit】**



99902133

【2 Stop Bits】



99900032

【Exit Setup】



99900031

** 【Enter Setup】

Flow Control

By default, the **No Flow Control** option is enabled.



99902140

** 【No Flow Control】



99902142

【CTS Flow Control】



99902141

【RTS Flow Control】



99902143

【RTS_CTS Flow Control】



99900032

【Exit Setup】



99900031

** 【Enter Setup】

Data Bit

By default, the **8 Data Bits** option is enabled.



99902150

** 【8 Data Bits】



99902163

【8 Data Bits, No Parity, 2 Stop Bits】



99902160

【8 Data Bits, No Parity, 1 Stop Bit】



99902164

【8 Data Bits, Even Parity, 2 Stop Bits】



99902161

【8 Data Bits, Even Parity, 1 Stop Bit】



99902165

【8 Data Bits, Odd Parity, 2 Stop Bits】



99902162

【8 Data Bits, Odd Parity, 1 Stop Bit】



99900032

【Exit Setup】



99900031

** 【Enter Setup】

USB Interface

By default, the **USB HID-KBW** option is enabled.

USB HID-KBW



99902300

** 【USB HID-KBW】

USB COM Port Emulation



99902301

【USB COM Port Emulation】



99900032

【Exit Setup】



99900031

** **【Enter Setup】**

Keyboard Parameters

Keyboard Layout

By default, the **1-US (English)** option is enabled



99902201

** **【1 – US (English)】**



99902202

【2 - Japanese】



99902203

【3 - Denmark】



99902204

【4 - Finland】



99902205

【5 - France】



99902207

【7 - Italy】



99902210

【8 - Norway】



99902211

【9 - Spain】



99902212

【10 - Turkey Q】



99902213

【11 - UK】



99900032

【Exit Setup】



99900031

** 【Enter Setup】

Inter-Character Delay

Inter-character Delay: 00-15 (16 levels), corresponding to 0ms (default), 5ms, 10ms, ..., 75ms, in 5ms increments.



99902220

【Inter-Character Delay】

Convert Case

By default, the **No Case Conversion** option is enabled.



99902230

** 【No Case Conversion】



99902232

【Convert All to Lowercase】



99902231

【Convert All to Uppercase】



99902233

【Invert Upper and Lower Case Characters】



99900032

【Exit Setup】



99900031

** 【Enter Setup】

Improve Reliability of Communication between Cradle and PC

There are three options available for users to choose for data communication between CD15 cradle and PC: USB HID-KBW, USB COM Port Emulation and RS-232 serial port. For USB HID-KBW, the hardware design ensures that barcode data is reliably sent to PC. Even if the cable is accidentally removed, the scanner will emit a specific beep to indicate transmission failure.

For USB COM Port Emulation or RS-232 serial port, communication reliability can be supported by HR15PCWidget on PC. Users can choose to enable/disable the Communication Support feature upon actual need. This feature is disabled by default. HR15PCWidget is available on our website for download.

Enable Communication Support

Two ways to enable the Communication Support feature:

1. Enable it with HR15PCWidget.
2. Hold down the “P” button on the cradle for 3 seconds. The blue LED on the cradle (see Fig. 1-2) blinks once to indicate success.

Note: When this feature is enabled, decoded data will be transmitted to users through virtual keyboard.

Disable Communication Support

Two ways to disable the Communication Support feature:

1. Disable it with HR15PCWidget.
2. Hold down the “P” button on the cradle for 3 seconds. The blue LED blinks once to indicate success.

Note: For the details of HR15PCWidget, see the “**NLS-HR15 Hand-held Barcode Scanner-PC Communication Support Tool User Guide**”.



99900032

【Exit Setup】



** 【Enter Setup】

Chapter 5 Data Formatting

Introduction

After a successful barcode reading, a string containing numbers, letters or symbols will be returned.

In real applications, barcode data may be found insufficient for your needs. You may wish to include additional information such as barcode type, data acquisition time or delimiter in data being scanned.

Adding extra information to printed barcodes does not seem like a sensible solution since that will increase the barcode size and make them inflexible. Instead, we come up with the idea of appending prefix and suffix to the data without making any change to barcodes. We will show you how to conduct the configuration in the following sections.

Note: Customized data: <Prefix> <Data><Suffix><Terminating Character>

Prefix Sequence

By default, the **Code ID+Custom+AIM ID** option is enabled.



** 【Code ID+Custom+AIM ID】



【Custom+Code ID+AIM ID】



【Exit Setup】



99900031

** 【Enter Setup】

Custom Prefix

Enable/Disable Custom Prefix

If custom prefix is enabled, you are allowed to append to the data a user-defined prefix that cannot exceed 11 characters. By default, custom prefix is disabled.

For example, if barcode data is “123” and custom prefix is “AB”, the Host will receive “AB123”.



99904020

** 【Disable Custom Prefix】



99904021

【Enable Custom Prefix】

Set Custom Prefix

To set a custom prefix, scan the **Set Custom Prefix** barcode, the numeric barcodes corresponding to the hexadecimal value of a desired prefix and the **Save** barcode.

Note: A custom prefix cannot exceed 11 characters.



99904022

【Set Custom Prefix】

Example: set the custom prefix to “CODE” (its hexadecimal value is 0x43/0x4F/0x44/0x45)

1. Scan the **Enter Setup** barcode.
 2. Scan the **Set Custom Prefix** barcode.
 3. Scan the numeric barcodes “4”, “3”, “4”, “F”, “4”, “4”, “4” and “5”. (See the “**Digit Barcodes**” section in Chapter 7)
 4. Scan the **Save** barcode. (See the “**Save/Cancel Barcodes**” section in Chapter 7)
 5. Scan the **Enable Custom Prefix** barcode.
-



99900032

【Exit Setup】



** 【Enter Setup】

6. Scan the **Exit Setup** barcode.

AIM ID Prefix

AIM (Automatic Identification Manufacturers) ID defines symbology identifier (For the details, see the “**AIM ID Table**” section in Chapter 7). If AIM ID prefix is enabled, the scanner will add the symbology identifier before the scanned data after decoding. By default, AIM ID prefix is disabled.



** 【Disable AIM ID Prefix】



【Enable AIM ID Prefix】

Code ID Prefix

Code ID can also be used to identify barcode type. Unlike AIM ID, Code ID is user programmable. To learn how to program it, see the “**Set Code ID**” sections in Chapter 6. For the information of default Code ID, see the “**Code ID Table**” section in Chapter 7. By default, Code ID prefix is disabled.



** 【Disable Code ID Prefix】



【Restore Default Code IDs】



【Enable Code ID Prefix】



【Exit Setup】



99900031

** 【Enter Setup】

Custom Suffix

Enable/Disable Custom Suffix

If custom suffix is enabled, you are allowed to append to the data a user-defined suffix that cannot exceed 11 characters. By default, custom suffix is disabled.

For example, if barcode data is “123” and custom suffix is “AB”, the Host will receive “123AB”.



99904100

** 【Disable Custom Suffix】



99904101

【Enable Custom Suffix】

Set Custom Suffix

To set a custom suffix, scan the **Set Custom Suffix** barcode, the numeric barcodes corresponding to the hexadecimal value of a desired suffix and the **Save** barcode.

Note: A custom suffix cannot exceed 11 characters.



99904102

【Set Custom Suffix】

Example: Set the custom suffix to “AGE” (its hexadecimal value is 0x41/0x47/0x45)

1. Scan the **Enter Setup** barcode.
 2. Scan the **Set Custom Suffix** barcode.
 3. Scan the numeric barcodes “4” “1” “4” “7” “4” and “5”. (See the “**Digit Barcodes**” section in Chapter 7)
 4. Scan the **Save** barcode. (See the “**Save/Cancel Barcodes**” section in Chapter 7)
-



99900032

【Exit Setup】



** 【Enter Setup】

-
5. Scan the **Enable Custom Suffix** barcode.
 6. Scan the **Exit Setup** barcode.

Terminating Character Suffix

Enable/Disable Terminating Character Suffix

A terminating character such as carriage return (CR) or carriage return/line feed pair (CRLF) can only be used to mark the end of data, which means nothing can be added after it. By default, terminating character suffix is enabled.



【Disable Terminating Character Suffix】



** 【Enable Terminating Character Suffix】



【Exit Setup】



99900031

** 【Enter Setup】

Set Terminating Character Suffix

To set a terminating character suffix, scan the **Set Terminating Character Suffix** barcode, the numeric barcodes corresponding to the hexadecimal value of a desired terminating character and the **Save** barcode. By default, terminating character 0x0D,0x0A is enabled.



99904112

【Set Terminating Character Suffix】



99904113

【Terminating Character 0x0D】



99904114

【Terminating Character 0x0D,0x0A】

Example: Set the terminating character to “0x0A”

1. Scan the **Enter Setup** barcode.
2. Scan the **Set Terminating Character Suffix** barcode.
3. Scan the numeric barcodes “0” and “A”. (See the “**Digit Barcodes**” section in Chapter 7)
4. Scan the **Save** barcode. (See the “**Save/Cancel Barcodes**” section in Chapter 7)
5. Scan the **Exit Setup** barcode.

If terminating character suffix is enabled, after finishing the above configuration an LF character will be added after scanned data.

Note: Under the Windows operating system, you can quickly set terminating character suffix to 0x0D or 0x0D,0x0A by scanning the appropriate barcode above.



99900032

【Exit Setup】



** 【Enter Setup】

Chapter 6 Symbologies

Introduction

Every symbology (barcode type) has its own unique attributes. This chapter provides programming barcodes for configuring the scanner so that it can identify various barcode symbologies. It is recommended to disable those that are rarely used to increase the efficiency of the scanner.

Code 128

Restore Default Settings

Scan the barcode below to restore all parameters in Code 128 configuration to the factory default settings. To find the related default settings, see the “**Default Parameters Table**” section in Chapter 7.



【Restore the Default Settings of Code 128】

Enable/Disable Code 128

Code 128 is enabled by default.



** 【Enable Code 128】



【Disable Code 128】

Note: If the scanner fails to identify Code 128 barcodes, you may first try this solution by scanning the **Enter Setup** barcode and then **Enable Code 128** barcode.



【Exit Setup】



99900031

** 【Enter Setup】

Set Code ID

Code ID can only consist of one or two English letters. See the “**Code ID Table**” section in Chapter 7 to find the default Code ID for Code 128.

To set the Code ID, scan the **Set Code ID for Code 128** barcode, the numeric barcodes corresponding to the hexadecimal value of a desired ID and the **Save** barcode.



99910005

【Set Code ID for Code 128】

Example: Set the Code ID of Code 128 to “p” (its hexadecimal value is 0x70)

1. Scan the **Enter Setup** barcode.
2. Scan the **Set Code ID for Code 128** barcode.
3. Scan the numeric barcodes “7” and “0”. (See the “**Digit Barcodes**” section in Chapter 7)
4. Scan the **Save** barcode. (See the “**Save/Cancel Barcodes**” section in Chapter 7)
5. Scan the **Exit Setup** barcode.



99900032

【Exit Setup】



** 【Enter Setup】

Set Length Range for Code 128

The scanner can be configured to only decode Code 128 barcodes with lengths that fall between (inclusive) the minimum and maximum lengths. To accomplish it, you need to set the minimum and maximum lengths.

Both lengths can range from 1 to 255 characters. If minimum length is set to be greater than maximum length, the scanner only decodes Code 128 barcodes with either the minimum or maximum length. If minimum length is same as maximum length, only Code 128 barcodes with that length are to be decoded. The default minimum and maximum lengths are 1 character and 255 characters respectively.



【Set the Minimum Length】



【Set the Maximum Length】

Example: Set the scanner to decode Code128 barcodes containing between 8 and 12 characters

1. Scan the **Enter Setup** barcode.
2. Scan the **Set the Minimum Length** barcode.
3. Scan the numeric barcode “8”. (See the “**Digit Barcodes**” section in Chapter 7)
4. Scan the **Save** barcode. (See the “**Save/Cancel Barcodes**” section in Chapter 7)
5. Scan the **Set the Maximum Length** barcode.
6. Scan the numeric barcodes “1” and “2”.
7. Scan the **Save** barcode.
8. Scan the **Exit Setup** barcode.



【Exit Setup】



99900031

** 【Enter Setup】

UCC/EAN-128

Restore Default Settings

Scan the barcode below to restore all parameters in UCC/EAN-128 configuration to the factory default settings. To find the related default settings, see the “**Default Parameters Table**” section in Chapter 7.



99910100

【Restore the Default Settings of UCC/EAN-128】

Enable/Disable UCC/EAN-128

UCC/EAN-128 is enabled by default.



99910102

** 【Enable UCC/EAN-128】



99910101

【Disable UCC/EAN-128】

Note: If the scanner fails to identify UCC/EAN-128 barcodes, you may first try this solution by scanning the **Enter Setup** barcode and then **Enable UCC/EAN-128** barcode.



99900032

【Exit Setup】



** 【Enter Setup】

Set Code ID

Code ID can only consist of one or two English letters. See the “**Code ID Table**” section in Chapter 7 to find the default Code ID for UCC/EAN-128.

To set the Code ID, scan the **Set Code ID for UCC/EAN-128** barcode, the numeric barcodes corresponding to the hexadecimal value of a desired ID and the **Save** barcode.



【Set Code ID for UCC/EAN-128】

Example: Set the Code ID of UCC/EAN-128 to “p” (its hexadecimal value is 0x70)

1. Scan the **Enter Setup** barcode.
2. Scan the **Set Code ID for UCC/EAN-128** barcode.
3. Scan the numeric barcodes “7” and “0”. (See the “**Digit Barcodes**” section in Chapter 7)
4. Scan the **Save** barcode. (See the “**Save/Cancel Barcodes**” section in Chapter 7)
5. Scan the **Exit Setup** barcode.



【Exit Setup】



** 【Enter Setup】

Set Length Range for UCC/EAN-128

The scanner can be configured to only decode UCC/EAN-128 barcodes with lengths that fall between (inclusive) the minimum and maximum lengths. To accomplish it, you need to set the minimum and maximum lengths.

Both lengths can range from 1 to 255 characters. If minimum length is set to be greater than maximum length, the scanner only decodes UCC/EAN-128 barcodes with either the minimum or maximum length. If minimum length is same as maximum length, only UCC/EAN-128 barcodes with that length are to be decoded. The default minimum and maximum lengths are 1 character and 255 characters respectively.



【Set the Minimum Length】



【Set the Maximum Length】

Example: Set the scanner to decode UCC/EAN-128 barcodes containing between 8 and 12 characters

1. Scan the **Enter Setup** barcode.
2. Scan the **Set the Minimum Length** barcode.
3. Scan the numeric barcode “8”. (See the “**Digit Barcodes**” section in Chapter 7)
4. Scan the **Save** barcode. (See the “**Save/Cancel Barcodes**” section in Chapter 7)
5. Scan the **Set the Maximum Length** barcode.
6. Scan the numeric barcodes “1” and “2”.
7. Scan the **Save** barcode.
8. Scan the **Exit Setup** barcode.



【Exit Setup】



** 【Enter Setup】

AIM 128

Restore Default Settings

Scan the barcode below to restore all parameters in AIM 128 configuration to the factory default settings. To find the related default settings, see the “**Default Parameters Table**” section in Chapter 7.



【Restore the Default Settings of AIM 128】

Enable/Disable AIM 128

AIM 128 is disabled by default.



【Enable AIM 128】



** 【Disable AIM 128】

Note: If the scanner fails to identify AIM 128 barcodes, you may first try this solution by scanning the **Enter Setup** barcode and then **Enable AIM 128** barcode.



【Exit Setup】



99900031

** 【Enter Setup】

Set Code ID

Code ID can only consist of one or two English letters. See the “**Code ID Table**” section in Chapter 7 to find the default Code ID for AIM 128.

To set the Code ID, scan the **Set Code ID for AIM 128** barcode, the numeric barcodes corresponding to the hexadecimal value of a desired ID and the **Save** barcode.



99910205

【Set Code ID for AIM 128】

Example: Set the Code ID of AIM-128 to “p” (its hexadecimal value is 0x70)

1. Scan the **Enter Setup** barcode.
2. Scan the **Set Code ID for AIM-128** barcode.
3. Scan the numeric barcodes “7” and “0”. (See the “**Digit Barcodes**” section in Chapter 7)
4. Scan the **Save** barcode. (See the “**Save/Cancel Barcodes**” section in Chapter 7)
5. Scan the **Exit Setup** barcode.



99900032

【Exit Setup】



** 【Enter Setup】

Set Length Range for AIM 128

The scanner can be configured to only decode AIM 128 barcodes with lengths that fall between (inclusive) the minimum and maximum lengths. To accomplish it, you need to set the minimum and maximum lengths.

Both lengths can range from 1 to 255 characters. If minimum length is set to be greater than maximum length, the scanner only decodes AIM 128 barcodes with either the minimum or maximum length. If minimum length is same as maximum length, only AIM 128 barcodes with that length are to be decoded. The default minimum and maximum lengths are 1 character and 255 characters respectively.



【Set the Maximum Length】



【Set the Minimum Length】

Example: Set the scanner to decode AIM128 barcodes with lengths containing between 8 and 12 characters

1. Scan the **Enter Setup** barcode.
2. Scan the **Set the Minimum Length** barcode.
3. Scan the numeric barcode “8”. (See the “**Digit Barcodes**” section in Chapter 7)
4. Scan the **Save** barcode. (See the “**Save/Cancel Barcodes**” section in Chapter 7)
5. Scan the **Set the Maximum Length** barcode.
6. Scan the numeric barcodes “1” and “2”.
7. Scan the **Save** barcode.
8. Scan the **Exit Setup** barcode.



【Exit Setup】



99900031

** 【Enter Setup】

EAN-8

Restore Default Settings

Scan the barcode below to restore all parameters in EAN-8 configuration to the factory default settings. To find the related default settings, see the “**Default Parameters Table**” section in Chapter 7.



99910400

【Restore the Default Settings of EAN-8】

Enable/Disable EAN-8

EAN-8 is enabled by default.



99910402

** 【Enable EAN-8】



99910401

【Disable EAN-8】

Note: If the scanner fails to identify EAN-8 barcodes, you may first try this solution by scanning the **Enter Setup** barcode and then **Enable EAN-8** barcode.



99900032

【Exit Setup】



** 【Enter Setup】

Set Code ID

Code ID can only consist of one or two English letters. See the “**Code ID Table**” section in Chapter 7 to find the default Code ID for EAN-8.

To set the Code ID, scan the **Set Code ID for EAN-8** barcode, the numeric barcodes corresponding to the hexadecimal value of a desired ID and the **Save** barcode.



【Set Code ID for EAN-8】

Example: Set the Code ID of EAN-8 to “p” (its hexadecimal value is 0x70)

1. Scan the **Enter Setup** barcode.
2. Scan the **Set Code ID for EAN-8** barcode.
3. Scan the numeric barcodes “7” and “0”. (See the “**Digit Barcodes**” section in Chapter 7)
4. Scan the **Save** barcode. (See the “**Save/Cancel Barcodes**” section in Chapter 7)
5. Scan the **Exit Setup** barcode.



【Exit Setup】



99900031

** 【Enter Setup】

2-Digit Add-On Code

An EAN-8 barcode can be augmented with a two-digit add-on code to form a new one..



99910405

** 【Disable 2-Digit Add-On Code】



99910406

【Enable 2-Digit Add-On Code】



99910407

【Decode EAN-8 + 2-Digit Add-On Code Only】

Note:

- ◇ **Disable 2-Digit Add-On Code:** The scanner only decodes the main part when scanning a new barcode. It can also decode standard EAN-8 barcodes.
- ◇ **Enable 2-Digit Add-On Code:** The scanner decodes a mix of EAN-8 barcodes with and without 2-digit add-on codes.
- ◇ **Decode EAN-8 + 2-Digit Add-On Code Only:** The scanner only decodes new barcodes combining 2-digit add-on codes.



99900032

【Exit Setup】



** 【Enter Setup】

5-Digit Add-On Code

An EAN-8 barcode can be augmented with a five-digit add-on code to form a new one.



** 【Disable 5-Digit Add-On Code】



【Enable 5-Digit Add-On Code】



【Decode EAN-8 + 5-Digit Add-On Code Only】

Note:

- ◇ **Disable 5-Digit Add-On Code:** The scanner only decodes the main part when scanning a new barcode. It can also decode standard EAN-8 barcodes.
- ◇ **Enable 5-Digit Add-On Code:** The scanner decodes a mix of EAN-8 barcodes with and without 5-digit add-on codes.
- ◇ **Decode EAN-8 + 5-Digit Add-On Code Only:** The scanner only decodes EAN-8 barcodes with 5-digit add-on codes.



【Exit Setup】



99900031

** 【Enter Setup】

EAN-8 Extension

- ◇ **Disable EAN-8 Zero Extend:** Transmit EAN-8 barcodes as is.
- ◇ **Enable EAN-8 Zero Extend:** Add five leading zeros to decoded EAN-8 barcodes to extend to 13 digits.
- ◇ **Convert EAN-8 to EAN-13:** Add five leading zeros to decoded EAN-8 barcodes to make them compatible in format to EAN-13 barcodes.



99910413

** 【Disable EAN-8 Zero Extend】



99910414

【Enable EAN-8 Zero Extend】



99910415

【Convert EAN-8 to EAN-13】

Transmit Check Digit

EAN-8 is 8 digits in length with the last one as its check digit used to verify the accuracy of the data. By default, the scanner transmits EAN-8 check digit.



99910404

** 【Transmit EAN-8 Check Digit】



99910403

【Do Not Transmit EAN-8 Check Digit】



99900032

【Exit Setup】



** 【Enter Setup】

EAN-13

Restore Default Settings

Scan the barcode below to restore all parameters in EAN-13 configuration to the factory default settings. To find the related default settings, see the “**Default Parameters Table**” section in Chapter 7.



【Restore the Default Settings of EAN-13】

Enable/Disable EAN-13

EAN-13 is enabled by default.



** 【Enable EAN-13】



【Disable EAN-13】

Note: If the scanner fails to identify EAN-13 barcodes, you may first try this solution by scanning the **Enter Setup** barcode and then **Enable EAN-13** barcode.



【Exit Setup】



99900031

** 【Enter Setup】

Transmit Check Digit

EAN-13 is 13 digits in length with the last one as its check digit used to verify the accuracy of the data. By default, the scanner transmits EAN-13 check digit.



99910504

** 【Transmit EAN-13 Check Digit】



99910503

【Do Not Transmit EAN-13 Check Digit】

Set Code ID

Code ID can only consist of one or two English letters. See the “**Code ID Table**” section in Chapter 7 to find the default Code ID for EAN-13.

To set the Code ID, scan the **Set Code ID for EAN-13** barcode, the numeric barcodes corresponding to the hexadecimal value of a desired ID and the **Save** barcode.



99910513

【Set Code ID for EAN-13】

Example: Set the Code ID of EAN-13 to “p” (its hexadecimal value is 0x70)

1. Scan the **Enter Setup** barcode.
 2. Scan the **Set Code ID for EAN-13** barcode.
 3. Scan the numeric barcodes “7” and “0”. (See the “**Digit Barcodes**” section in Chapter 7)
 4. Scan the **Save** barcode. (See the “**Save/Cancel Barcodes**” section in Chapter 7)
-



99900032

【Exit Setup】



99900031

** 【Enter Setup】

5. Scan the **Exit Setup** barcode.

2-Digit Add-On Code

An EAN-13 barcode can be augmented with a two-digit add-on code to form a new one.



99910505

** 【Disable 2-Digit Add-On Code】



99910506

【Enable 2-Digit Add-On Code】



99910507

【Decode EAN-13 + 2-Digit Supplement Only】

Note:

- ◇ **Disable 2-Digit Add-On Code:** The scanner only decodes the main part when scanning a new barcode. It can also decode standard EAN-13 barcodes.
- ◇ **Enable 2-Digit Add-On Code:** The scanner decodes a mix of EAN-13 barcodes with and without 2-digit add-on codes.
- ◇ **Decode EAN-13 + 2-Digit Add-On Code Only:** The scanner only decodes new barcodes combining 2-digit add-on codes.



99900032

【Exit Setup】



99900031

** 【Enter Setup】

5-Digit Add-On Code

An EAN-13 barcode can be augmented with a five-digit add-on code to form a new one.



99910510

** 【Disable 5-Digit Add-On Code】



99910511

【Enable 5-Digit Add-On Code】



99910512

【Decode EAN-13 + 5-Digit Add-On Code Only】

Note:

- ◇ **Disable 5-Digit Add-On Code:** The scanner only decodes the main part when scanning a new barcode. It can also decode standard EAN-13 barcodes.
- ◇ **Enable 5-Digit Add-On Code:** The scanner decodes a mix of EAN-13 barcodes with and without 5-digit add-on codes.
- ◇ **Decode EAN-13 + 5-Digit Add-On Code Only:** The scanner only decodes new barcodes combining 5-digit add-on codes.



99900032

【Exit Setup】



99900031

** 【Enter Setup】

ISSN

Restore Default Settings

Scan the barcode below to restore all parameters in ISSN configuration to the factory default settings. To find the related default settings, see the “**Default Parameters Table**” section in Chapter 7.



99910600

【Restore the Default Settings of ISSN】

Enable/Disable ISSN

ISSN is disabled by default.



99910602

【Enable ISSN】



99910601

** 【Disable ISSN】

Note: If the scanner fails to identify ISSN barcodes, you may first try this solution by scanning the **Enter Setup** barcode and then **Enable ISSN** barcode.



99900032

【Exit Setup】



99900031

** 【Enter Setup】

Set Code ID

Code ID can only consist of one or two English letters. See the “**Code ID Table**” section in Chapter 7 to find the default Code ID for ISSN.

To set the Code ID, scan the **Set Code ID for ISSN** barcode, the numeric barcodes corresponding to the hexadecimal value of a desired ID and the **Save** barcode.



99910603

【Set Code ID for ISSN】

Example: Set the Code ID of ISSN to “p” (its hexadecimal value is 0x70)

1. Scan the **Enter Setup** barcode.
2. Scan the **Set Code ID for ISSN** barcode.
3. Scan the numeric barcodes “7” and “0”. (See the “**Digit Barcodes**” section in Chapter 7)
4. Scan the **Save** barcode. (See the “**Save/Cancel Barcodes**” section in Chapter 7)
5. Scan the **Exit Setup** barcode.



99900032

【Exit Setup】



** 【Enter Setup】

ISBN

Restore Default Settings

Scan the barcode below to restore all parameters in ISBN configuration to the factory default settings. To find the related default settings, see the “**Default Parameters Table**” section in Chapter 7.



【Restore the Default Settings of ISBN】

Enable/Disable ISBN

ISBN is disabled by default.



【Enable ISBN】



** 【Disable ISBN】

Note: If the scanner fails to identify ISBN barcodes, you may first try this solution by scanning the **Enter Setup** barcode and then **Enable ISBN** barcode.



【Exit Setup】



99900031

** 【Enter Setup】

Set ISBN Format

The default format is ISBN-13.



99910704

** 【ISBN-13】



99910703

【ISBN-10】

Set Code ID

Code ID can only consist of one or two English letters. See the “**Code ID Table**” section in Chapter 7 to find the default Code ID for ISBN.

To set the Code ID, scan the **Set Code ID for ISBN** barcode, the numeric barcodes corresponding to the hexadecimal value of a desired ID and the **Save** barcode.



99910705

【Set Code ID for ISBN】

Example: Set the Code ID of ISBN to “p” (its hexadecimal value is 0x70)

1. Scan the **Enter Setup** barcode.
 2. Scan the **Set Code ID for ISBN** barcode.
 3. Scan the numeric barcodes “7” and “0”. (See the “**Digit Barcodes**” section in Chapter 7)
 4. Scan the **Save** barcode. (See the “**Save/Cancel Barcodes**” section in Chapter 7)
-



99900032

【Exit Setup】



99900031

** 【Enter Setup】

5. Scan the **Exit Setup** barcode.

UPC-E

Restore Default Settings

Scan the barcode below to restore all parameters in UPC-E configuration to the factory default settings. To find the related default settings, see the “**Default Parameters Table**” section in Chapter 7.



99911000

【Restore the Default Settings of UPC-E】

Enable/Disable UPC-E

UPC-E is enabled by default.



99911002

** 【Enable UPC-E】



99911001

【Disable UPC-E】

Note: If the scanner fails to identify UPC-E barcodes, you may first try this solution by scanning the **Enter Setup** barcode and then **Enable UPC-E** barcode.



99900032

【Exit Setup】



99900031

** 【Enter Setup】

Transmit Check Digit

UPC-E is 8 digits in length with the last one as its check digit used to verify the accuracy of the data. By default, the scanner transmits UPC-E check digit.



99911004

** 【Transmit UPC-E Check Digit】



99911003

【Do Not Transmit UPC-E Check Digit】

Set Code ID

Code ID can only consist of one or two English letters. See the “**Code ID Table**” section in Chapter 7 to find the default Code ID for UPC-E.

To set the Code ID, scan the **Set Code ID for UPC-E** barcode, the numeric barcodes corresponding to the hexadecimal value of a desired ID and the **Save** barcode.



99911020

【Set Code ID for UPC-E】

Example: Set the Code ID of UPC-E to “p” (its hexadecimal value is 0x70)

1. Scan the **Enter Setup** barcode.
 2. Scan the **Set Code ID for UPC-E** barcode.
 3. Scan the numeric barcodes “7” and “0”. (See the “**Digit Barcodes**” section in Chapter 7)
 4. Scan the **Save** barcode. (See the “**Save/Cancel Barcodes**” section in Chapter 7)
-



99900032

【Exit Setup】



** 【Enter Setup】

5. Scan the **Exit Setup** barcode.

2-Digit Add-On Code

A UPC-E barcode can be augmented with a two-digit add-on code to form a new one.



** 【Disable 2-Digit Add-On Code】



【Enable 2-Digit Add-On Code】



【Decode UPC-E + 2-Digit Add-On Code Only】 ,

Note:

- ◇ **Disable 2-Digit Add-On Code:** The scanner only decodes the main part when scanning a new barcode. It can also decode standard UPC-E barcodes.
- ◇ **Enable 2-Digit Add-On Code:** The scanner decodes a mix of UPC-E barcodes with and without 2-digit add-on codes.
- ◇ **Decode UPC-E + 2-Digit Add-On Code Only:** The scanner only decodes new barcodes combining 2-digit add-on codes.



【Exit Setup】



99900031

** 【Enter Setup】

5-Digit Add-On Code

A UPC-E barcode can be augmented with a five-digit add-on code to form a new one.



99911010

** 【Disable 5-Digit Add-On Code】



99911011

【Enable 5-Digit Add-On Code】



99911012

【Decode UPC-E + 5-Digit Add-On Code Only】

Note:

- ◇ **Disable 5-Digit Add-On Code:** The scanner only decodes the main part when scanning a new barcode. It can also decode standard UPC-E barcodes.
- ◇ **“Enable 5-Digit Add-On Code:** The scanner decodes a mix of UPC-E barcodes with and without 5-digit add-on codes.
- ◇ **Decode UPC-E + 5-Digit Add-On Code Only:** The scanner only decodes new barcodes combining 5-digit add-on codes.



99900032

【Exit Setup】



99900031

** 【Enter Setup】

Transmit System Character “0”

The first character of UPC-E barcode is the system character “0”. By default, the scanner does not transmit system character “0”.



99911013

** 【Do Not Transmit System Character “0”】



99911014

【Transmit System Character “0”】

UPC-E Extension

- ◇ **Disable UPC-E Extend:** Transmit UPC-E barcodes as is.
- ◇ **Enable UPC-E Extend:** Extend UPC-E barcodes to make them compatible in length to UPC-A.
- ◇ **Convert UPC-E to UPC-A:** Extend UPC-E barcodes to make them compatible in format to UPC-A.



99911015

** 【Disable UPC-E Extend】



99911016

【Enable UPC-E Extend】



99911017

【Convert UPC-E to UPC-A】



99900032

【Exit Setup】



99900031

** 【Enter Setup】

UPC-A

Restore Default Settings

Scan the barcode below to restore all parameters in UPC-A configuration to the factory default settings. To find the related default settings, see the “**Default Parameters Table**” section in Chapter 7.



99911100

【Restore the Default Settings of UPC-A】

Enable/Disable UPC-A

UPC-A is enabled by default.



99911102

** 【Enable UPC-A】



99911101

【Disable UPC-A】

Note: If the scanner fails to identify UPC-A barcodes, you may first try this solution by scanning the **Enter Setup** barcode and then **Enable UPC-A** barcode.



99900032

【Exit Setup】



** 【Enter Setup】

Set Code ID

Code ID can only consist of one or two English letters. See the “**Code ID Table**” section in Chapter 7 to find the default Code ID for UPC-A.

To set the Code ID, scan the **Set Code ID for UPC-A** barcode, the numeric barcodes corresponding to the hexadecimal value of a desired ID and the **Save** barcode.



【Set Code ID for UPC-A】

Example: Set the Code ID of UPC-A to “p” (its hexadecimal value is 0x70)

1. Scan the **Enter Setup** barcode.
2. Scan the **Set Code ID for UPC-A** barcode.
3. Scan the numeric barcodes “7” and “0”. (See the “**Digit Barcodes**” section in Chapter 7)
4. Scan the **Save** barcode. (See the “**Save/Cancel Barcodes**” section in Chapter 7)
5. Scan the **Exit Setup** barcode.



【Exit Setup】



99900031

** 【Enter Setup】

Transmit Check Digit

UPC-A is 13 digits in length with the last one as its check digit used to verify the accuracy of the data. By default, the scanner transmits UPC-A check digit.



99911104

** 【Transmit UPC-A Check Digit】



99911103

【Do Not Transmit UPC-A Check Digit】

Transmit Preamble Character “0”

The first character of UPC-A barcode is the preamble character “0”. By default, the scanner does not transmit preamble character “0”.



99911113

** 【Do not Transmit Preamble Character “0”】



99911114

【Transmit Preamble Character “0”】



99900032

【Exit Setup】



** 【Enter Setup】

2-Digit Add-On Code

A UPC-A barcode can be augmented with a two-digit add-on code to form a new one.



** 【Disable 2-Digit Add-On Code】



【Enable 2-Digit Add-On Code】



【Decode UPC-A + 2-Digit Add-On Code Only】 ,

Note:

- ◇ **Disable 2-Digit Add-On Code:** The scanner only decodes the main part when scanning a new barcode. It can also decode standard UPC-A barcodes.
- ◇ **Enable 2-Digit Add-On Code:** The scanner decodes a mix of UPC-A barcodes with and without 2-digit add-on codes.
- ◇ **Decode UPC-A + 2-Digit Add-On Code Only:** The scanner only decodes new barcodes combining 2-digit add-on codes.



【Exit Setup】



99900031

** 【Enter Setup】

5-Digit Add-On Code

A UPC-A barcode can be augmented with a five-digit add-on code to form a new one.



99911110

** 【Disable 5-Digit Add-On Code】



99911111

【Enable 5-Digit Add-On Code】



99911112

【Decode UPC-A + 5-Digit Add-On Code Only】

Note:

- ◇ **Disable 5-Digit Add-On Code:** The scanner only decodes the main part when scanning a new barcode. It can also decode standard UPC-A barcodes.
- ◇ **Enable 5-Digit Add-On Code:** The scanner decodes a mix of UPC-A barcodes with and without 5-digit add-on codes.
- ◇ **Decode UPC-A + 5-Digit Add-On Code Only:** The scanner only decodes new barcodes combining 5-digit add-on codes.



99900032

【Exit Setup】



** 【Enter Setup】

Interleaved 2 of 5

Restore Default Settings

Scan the barcode below to restore all parameters in Interleaved 2 of 5 configuration to the factory default settings. To find the related default settings, see the “**Default Parameters Table**” section in Chapter 7.



【Restore the Default Settings of Interleaved 2 of 5】

Enable/Disable Interleaved 2 of 5

Interleaved 2 of 5 is enabled by default.



** 【Enable Interleaved 2 of 5】



【Disable Interleaved 2 of 5】

Note: If the scanner fails to identify Interleaved 2 of 5 barcodes, you may first try this solution by scanning the **Enter Setup** barcode and then **Enable Interleaved 2 of 5** barcode.



【Exit Setup】



99900031

** 【Enter Setup】

Set Code ID

Code ID can only consist of one or two English letters. See the “**Code ID Table**” section in Chapter 7 to find the default Code ID for Interleaved 2 of 5.

To set the Code ID, scan the **Set Code ID for Interleaved 2 of 5** barcode, the numeric barcodes corresponding to the hexadecimal value of a desired ID and the **Save** barcode.



99911210

【Set Code ID for Interleaved 2 of 5】

Example: Set the Code ID of Interleaved 2 of 5 to “p” (its hexadecimal value is 0x70)

1. Scan the **Enter Setup** barcode.
2. Scan the **Set Code ID for Interleaved 2 of 5** barcode.
3. Scan the numeric barcodes “7” and “0”. (See the “**Digit Barcodes**” section in Chapter 7)
4. Scan the **Save** barcode. (See the “**Save/Cancel Barcodes**” section in Chapter 7)
5. Scan the **Exit Setup** barcode.



99900032

【Exit Setup】



** 【Enter Setup】

Parity Check

A check digit is optional for Interleaved 2 of 5 and can be added as the last digit. It is a calculated value used to verify the accuracy of the data. By default, the scanner does not transmit Interleaved 2 of 5 check digit after parity check.

- ◇ **No Parity Check:** The scanner transmits Interleaved 2 of 5 barcodes as is.
- ◇ **Do Not Transmit Check Digit After Parity Check:** The scanner will run a parity check using the last digit of Interleaved 2 of 5 barcode as check digit. Barcodes passing the check will be transmitted except the last digit, whereas those failing it will not be transmitted.
- ◇ **Transmit Check Digit After Parity Check:** The scanner will run a parity check using the last digit of Interleaved 2 of 5 barcode as check digit. Barcodes passing the check will be transmitted, whereas those failing it will not be transmitted.



【No Parity Check】



** 【Do Not Transmit Check Digit After Parity Check】



【Transmit Check Digit After Parity Check】

Note: If the **Do Not Transmit Check Digit After Parity Check** option is enabled, Interleaved 2 of 5 barcodes with a length that is less than the configured minimum length after having the check digit excluded will not be decoded. (For example, when the **Do Not Transmit Check Digit After Parity Check** option is enabled and the minimum length is set to 6, Interleaved 2 of 5 barcodes with a total length of 6 characters including the check digit cannot be read.)



【Exit Setup】



99900031

** 【Enter Setup】

Set Length Range for Interleaved 2 of 5

The scanner can be configured to only decode Interleaved 2 of 5 barcodes with lengths that fall between (inclusive) the minimum and maximum lengths. To accomplish it, you need to set the minimum and maximum lengths.

Both lengths can range from 5 to 255 characters. If minimum length is set to be greater than maximum length, the scanner only decodes Interleaved 2 of 5 barcodes with either the minimum or maximum length. If minimum length is same as maximum length, only Interleaved 2 of 5 barcodes with that length are to be decoded. The default minimum and maximum lengths are 6 characters and 255 characters respectively.



99911206

【Set the Minimum Length】



99911207

【Set the Maximum Length】



99900032

【Exit Setup】



** 【Enter Setup】

ITF-6

ITF-6 is a special kind of Interleaved 2 of 5 with a length of 6 characters and the last character as the check character. By default, ITF-6 is disabled.

ITF-6 priority principle: For the Interleaved 2 of 5 barcodes with a length of 6 characters and the last character as the check character, the ITF-6 configurations shall take precedence over the Interleaved 2 of 5 settings.



【Restore the Default Settings of ITF-6】



** 【Disable ITF-6】



【Enable ITF-6 But Do Not Transmit Check Digit】



【Enable ITF-6 and Transmit Check Digit】

Note: An example of the ITF-6 priority principle: when ITF-6 is enabled and Interleaved 2 of 5 is disabled, the scanner only decodes Interleaved 2 of 5 barcodes with a length of 6 characters and the last character as the check character.



【Exit Setup】



99900031

** 【Enter Setup】

Set Code ID

Code ID can only consist of one or two English letters. See the “**Code ID Table**” section in Chapter 7 to find the default Code ID for ITF-6.

To set the Code ID, scan the **Set Code ID for ITF-6** barcode, the numeric barcodes corresponding to the hexadecimal value of a desired ID and the **Save** barcode.



99911304

【Set Code ID for ITF-6】

Example: Set the Code ID of ITF-6 to “p” (its hexadecimal value is 0x70)

1. Scan the **Enter Setup** barcode.
2. Scan the **Set Code ID for ITF-6** barcode.
3. Scan the numeric barcodes “7” and “0”. (See the “**Digit Barcodes**” section in Chapter 7)
4. Scan the **Save** barcode. (See the “**Save/Cancel Barcodes**” section in Chapter 7)
5. Scan the **Exit Setup** barcode.



99900032

【Exit Setup】



99900031

** 【Enter Setup】

ITF-14

ITF-14 is a special kind of Interleaved 2 of 5 with a length of 14 characters and the last character as the check character. By default, ITF-14 is disabled.

ITF-14 priority principle: For the Interleaved 2 of 5 barcodes with a length of 14 characters and the last character as the check character, the ITF-14 configurations shall take precedence over the Interleaved 2 of 5 settings.



99911400

【Restore the Default Settings of ITF-14】



99911402

【Enable ITF-14 But Do Not Transmit Check Digit】



99911401

** 【Disable ITF-14】



99911403

【Enable ITF-14 and Transmit Check Digit】

Note: An example of the ITF-14 priority principle: when ITF-14 is enabled and Interleaved 2 of 5 is disabled, the scanner only decodes Interleaved 2 of 5 barcodes with a length of 14 characters and the last character as the check character.

In the events that the ITF-14 configuration clashes with the Deutsche14 settings, the former shall prevail.



99900032

【Exit Setup】



99900031

** 【Enter Setup】

Set Code ID

Code ID can only consist of one or two English letters. See the “**Code ID Table**” section in Chapter 7 to find the default Code ID for ITF-14.

To set the Code ID, scan the **Set Code ID for ITF-14** barcode, the numeric barcodes for the hexadecimal value of a desired ID and the **Save** barcode.



99911404

【Set Code ID for ITF-14】

Example: Set the Code ID of ITF-14 to “p” (its hexadecimal value is 0x70)

1. Scan the **Enter Setup** barcode.
2. Scan the **Set Code ID for ITF-14** barcode.
3. Scan the numeric barcodes “7” and “0”. (See the “**Digit Barcodes**” section in Chapter 7)
4. Scan the **Save** barcode. (See the “**Save/Cancel Barcodes**” section in Chapter 7)
5. Scan the **Exit Setup** barcode.



99900032

【Exit Setup】



99900031

** 【Enter Setup】

Deutsche 14

Restore Default Settings

Scan the barcode below to restore all parameters in Deutsche14 configuration to the factory default settings. To find the related default settings, see the “**Default Parameters Table**” section in Chapter 7.



99911500

【Restore the Default Settings of Deutsche14】

Enable/Disable Deutsche14

Deutsche14 is disabled by default.



99911502

【Enable Deutsche14 But Do Not Transmit Check Digit】



99911501

** 【Disable Deutsche14】



99911503

【Enable Deutsche14 and Transmit Check Digit】

Note: It is advised not to enable Deutsche 14 unless necessary, because Deutsche 14, ITF-14 and Interleaved 2 of 5 use the same encoding method and enabling them at the same time can easily cause confusion with each other when decoding.



99900032

【Exit Setup】



99900031

** 【Enter Setup】

Set Code ID

Code ID can only consist of one or two English letters. See the “**Code ID Table**” section in Chapter 7 to find the default Code ID for Deutsche14.

To set the Code ID, scan the **Set Code ID for Deutsche14** barcode, the numeric barcodes corresponding to the hexadecimal value of a desired ID and the **Save** barcode.



99911504

【Set Code ID for Deutsche14】

Example: Set the Code ID of Deutsche14 to “p” (its hexadecimal value is 0x70)

1. Scan the **Enter Setup** barcode.
2. Scan the **Set Code ID for Deutsche14** barcode.
3. Scan the numeric barcodes “7” and “0”. (See the “**Digit Barcodes**” section in Chapter 7)
4. Scan the **Save** barcode. (See the “**Save/Cancel Barcodes**” section in Chapter 7)
5. Scan the **Exit Setup** barcode.



99900032

【Exit Setup】



** 【Enter Setup】

Deutsche 12

Restore Default Settings

Scan the barcode below to restore all parameters in Deutsche12 configuration to the factory default settings. To find the related default settings, see the “**Default Parameters Table**” section in Chapter 7.



【Restore the Default Settings of Deutsche12】

Enable/Disable Deutsche 12

Deutsche12 is disabled by default.



【Enable Deutsche12 But Do Not Transmit Check Digit】



** 【Disable Deutsche12】



【Enable Deutsche12 and Transmit Check Digit】

Note: It is advised not to enable Deutsche 12 unless necessary, because Deutsche 12, ITF-12 and Interleaved 2 of 5 use the same encoding method and enabling them at the same time can easily cause confusion with each other when decoding.



【Exit Setup】



99900031

** 【Enter Setup】

Set Code ID

Code ID can only consist of one or two English letters. See the “**Code ID Table**” section in Chapter 7 to find the default Code ID for Deutsche12.

To set the Code ID, scan the **Set Code ID for Deutsche 12** barcode, the numeric barcodes corresponding to the hexadecimal value of a desired ID and the **Save** barcode.



99911604

【Set Code ID for Deutsche12】

Example: Set the Code ID of Deutsche12 to “p” (its hexadecimal value is 0x70)

1. Scan the **Enter Setup** barcode.
2. Scan the **Set Code ID for Deutsche12** barcode.
3. Scan the numeric barcodes “7” and “0”. (See the “**Digit Barcodes**” section in Chapter 7)
4. Scan the **Save** barcode. (See the “**Save/Cancel Barcodes**” section in Chapter 7)
5. Scan the **Exit Setup** barcode.



99900032

【Exit Setup】



99900031

** 【Enter Setup】

COOP 25 (Japanese Matrix 2 of 5)

Restore Default Settings

Scan the barcode below to restore all parameters in COOP 25 configuration to the factory default settings. To find the related default settings, see the “**Default Parameters Table**” section in Chapter 7.



99911700

【Restore the Default Settings of COOP25】

Enable/Disable COOP 25

COOP 25 is disabled by default.



99911702

【Enable COOP 25】



99911701

** 【Disable COOP 25】

Note: If the scanner fails to identify COOP 25 barcodes, you may first try this solution by scanning the **Enter Setup** barcode and then **Enable COOP 25** barcode.



99900032

【Exit Setup】



99900031

** 【Enter Setup】

Set Code ID

Code ID can only consist of one or two English letters. See the “**Code ID Table**” section in Chapter 7 to find the default Code ID for COOP 25.

To set the Code ID, scan the **Set Code ID for COOP 25** barcode, the numeric barcodes corresponding to the hexadecimal value of a desired ID and the **Save** barcode.



99911710

【Set Code ID for COOP 25】

Example: Set the Code ID of COOP 25 to “p” (its hexadecimal value is 0x70).

1. Scan the **Enter Setup** barcode.
2. Scan the **Set Code ID for COOP 25** barcode.
3. Scan the numeric barcodes “7” and “0”. (See the “**Digit Barcodes**” section in Chapter 7)
4. Scan the **Save** barcode. (See the “**Save/Cancel Barcodes**” section in Chapter 7)
5. Scan the **Exit Setup** barcode.



99900032

【Exit Setup】



** 【Enter Setup】

Parity Check

A check digit is optional for COOP 25 and can be added as the last digit. It is a calculated value used to verify the accuracy of the data. By default, the scanner does not run parity check.

- ◇ **No Parity Check:** The scanner transmits COOP 25 barcodes as is.
- ◇ **Do Not Transmit Check Digit After Parity Check:** The scanner will run a parity check using the last digit of COOP 25 barcode as check digit. Barcodes passing the check will be transmitted except the last digit, whereas those failing it will not be transmitted.
- ◇ **Transmit Check Digit After Parity Check:** The scanner will run a parity check using the last digit of COOP 25 barcode as check digit. Barcodes passing the check will be transmitted, whereas those failing it will not be transmitted.



** 【No Parity Check】



【Transmit Check Digit After Parity Check】



【Do Not Transmit Check Digit After Parity Check】

Note: If the **Do Not Transmit Check Digit After Parity Check** option is enabled, COOP 25 barcodes with a length that is less than the configured minimum length after having the check digit excluded will not be decoded. (For example, when the **Do Not Transmit Check Digit After Parity Check** option is enabled and the minimum length is set to 4, COOP 25 barcodes with a total length of 4 characters including the check digit cannot be read.)



【Exit Setup】



99900031

** 【Enter Setup】

Set Length Range for COOP 25

The scanner can be configured to only decode COOP 25 barcodes with lengths that fall between (inclusive) the minimum and maximum lengths. To accomplish it, you need to set the minimum and maximum lengths.

Both lengths can range from 3 to 255 characters. If minimum length is set to be greater than maximum length, the scanner only decodes COOP 25 barcodes with either the minimum or maximum length. If minimum length is same as maximum length, only COOP 25 barcodes with that length are to be decoded. The default minimum and maximum lengths are 6 characters and 255 characters respectively.



99911706

【Set the Minimum Length】



99911707

【Set the Maximum Length】



99900032

【Exit Setup】



99900031

** 【Enter Setup】

Matrix 2 of 5 (European Matrix 2 of 5)

Restore Default Settings

Scan the barcode below to restore all parameters in Matrix 2 of 5 configuration to the factory default settings. To find the related default settings, see the “**Default Parameters Table**” section in Chapter 7.



99912000

【Restore the Default Settings of Matrix 2 of 5】

Enable/Disable Matrix 2 of 5

Matrix 2 of 5 is enabled by default.



99912002

** 【Enable Matrix 2 of 5】



99912001

【Disable Matrix 2 of 5】

Note: If the scanner fails to identify Matrix 2 of 5 barcodes, you may first try this solution by scanning the **Enter Setup** barcode and then **Enable Matrix 2 of 5** barcode.



99900032

【Exit Setup】



99900031

** **【Enter Setup】**

Set Code ID

Code ID can only consist of one or two English letters. See the “**Code ID Table**” section in Chapter 7 to find the default Code ID for Matrix 2 of 5.

To set the Code ID, scan the **Set Code ID for Matrix 2 of 5** barcode, the numeric barcodes corresponding to the hexadecimal value of a desired ID and the **Save** barcode.



99912010

【Set Code ID for Matrix 2 of 5】

Example: Set the Code ID of Matrix 2 of 5 to “p” (its hexadecimal value is 0x70)

1. Scan the **Enter Setup** barcode.
2. Scan the **Set Code ID for Matrix 2 of 5** barcode.
3. Scan the numeric barcodes “7” and “0”. (See the “**Digit Barcodes**” section in Chapter 7)
4. Scan the **Save** barcode. (See the “**Save/Cancel Barcodes**” section in Chapter 7)
5. Scan the **Exit Setup** barcode.



99900032

【Exit Setup】



** 【Enter Setup】

Parity Check

A check digit is optional for Matrix 2 of 5 and can be added as the last digit. It is a calculated value used to verify the accuracy of the data. By default, the scanner does not run parity check.

- ◇ **No Parity Check:** The scanner transmits Matrix 2 of 5 barcodes as is.
- ◇ **Do Not Transmit Check Digit After Parity Check:** The scanner will run a parity check using the last digit of Matrix 2 of 5 barcode as check digit. Barcodes passing the check will be transmitted except the last digit, whereas those failing it will not be transmitted.
- ◇ **Transmit Check Digit After Parity Check:** The scanner will run a parity check using the last digit of Matrix 2 of 5 barcode as check digit. Barcodes passing the check will be transmitted, whereas those failing it will not be transmitted.



** 【No Parity Check】



【Transmit Check Digit After Parity Check】



【Do Not Transmit Check Digit After Parity Check】

Note: If the **Do Not Transmit Check Digit After Parity Check** option is enabled, Matrix 2 of 5 barcodes with a length that is less than the configured minimum length after having the check digit excluded will not be decoded. (For example, when the **Do Not Transmit Check Digit After Parity Check** option is enabled and the minimum length is set to 4, Matrix 2 of 5 barcodes with a total length of 4 characters including the check digit cannot be read.)



【Exit Setup】



99900031

** 【Enter Setup】

Set Length Range for Matrix 2 of 5

The scanner can be configured to only decode Matrix 2 of 5 barcodes with lengths that fall between (inclusive) the minimum and maximum lengths. To accomplish it, you need to set the minimum and maximum lengths.

Both lengths can range from 3 to 255 characters. If minimum length is set to be greater than maximum length, the scanner only decodes Matrix 2 of 5 barcodes with either the minimum or maximum length. If minimum length is same as maximum length, only Matrix 2 of 5 barcodes with that length are to be decoded. The default minimum and maximum lengths are 6 characters and 255 characters respectively.



99912006

【Set the Minimum Length】



99912007

【Set the Maximum Length】



99900032

【Exit Setup】



99900031

** 【Enter Setup】

Industrial 25

Restore Default Settings

Scan the barcode below to restore all parameters in Industrial 25 configuration to the factory default settings. To find the related default settings, see the “**Default Parameters Table**” section in Chapter 7.



99912100

【Restore the Default Settings of Industrial 25】

Enable/Disable Industrial 25

Industrial 25 is enabled by default.



99912102

** 【Enable Industrial 25】



99912101

【Disable Industrial 25】

Note: If the scanner fails to identify Industrial 25 barcodes, you may first try this solution by scanning the **Enter Setup** barcode and then **Enable Industrial 25** barcode.



99900032

【Exit Setup】



99900031

** 【Enter Setup】

Set Code ID

Code ID can only consist of one or two English letters. See the “**Code ID Table**” section in Chapter 7 to find the default Code ID for Industrial 25.

To set the Code ID, scan the **Set Code ID for Industrial 25** barcode, the numeric barcodes corresponding to the hexadecimal value of a desired ID and the **Save** barcode.



99912110

【Set Code ID for Industrial 25】

Example: Set the Code ID of Industrial 25 to “p” (its hexadecimal value is 0x70)

1. Scan the **Enter Setup** barcode.
2. Scan the **Set Code ID for Industrial 25** barcode.
3. Scan the numeric barcodes “7” and “0”. (See the “**Digit Barcodes**” section in Chapter 7)
4. Scan the **Save** barcode. (See the “**Save/Cancel Barcodes**” section in Chapter 7)
5. Scan the **Exit Setup** barcode.



99900032

【Exit Setup】



** 【Enter Setup】

Parity Check

A check digit is optional for Industrial 25 and can be added as the last digit. It is a calculated value used to verify the accuracy of the data. By default, the scanner transmits check digit after parity check.

- ◇ **No Parity Check:** The scanner transmits Industrial 25 barcodes as is.
- ◇ **Do Not Transmit Check Digit After Parity Check:** The scanner will run a parity check using the last digit of Industrial 25 barcode as check digit. Barcodes passing the check will be transmitted except the last digit, whereas those failing it will not be transmitted.
- ◇ **Transmit Check Digit After Parity Check:** The scanner will run a parity check using the last digit of Industrial 25 barcode as check digit. Barcodes passing the check will be transmitted, whereas those failing it will not be transmitted.



【No Parity Check】



** 【Transmit Check Digit After Parity Check】



【Do Not Transmit Check Digit After Parity Check】

Note: If the **Do Not Transmit Check Digit After Parity Check** option is enabled, Industrial 25 barcodes with a length that is less than the configured minimum length after having the check digit excluded will not be decoded. (For example, when the **Do Not Transmit Check Digit After Parity Check** option is enabled and the minimum length is set to 4, Industrial 25 barcodes with a total length of 4 characters including the check digit cannot be read.)



【Exit Setup】



99900031

** 【Enter Setup】

Set Length Range for Industrial 25

The scanner can be configured to only decode Industrial 25 barcodes with lengths that fall between (inclusive) the minimum and maximum lengths. To accomplish it, you need to set the minimum and maximum lengths.

Both lengths can range from 4 to 255 characters. If minimum length is set to be greater than maximum length, the scanner only decodes Industrial 25 barcodes with either the minimum or maximum length. If minimum length is same as maximum length, only Industrial 25 barcodes with that length are to be decoded. The default minimum and maximum lengths are 6 characters and 255 characters respectively.



99912006

【Set the Minimum Length】



99912007

【Set the Maximum Length】



99900032

【Exit Setup】



99900031

** 【Enter Setup】

Standard 25

Restore Default Settings

Scan the barcode below to restore all parameters in Standard 25 configuration to the factory default settings. To find the related default settings, see the “**Default Parameters Table**” section in Chapter 7.



99912200

【Restore the Default Settings of Standard 25】

Enable/Disable Standard 25

Standard 25 is enabled by default.



99912202

** 【Enable Standard 25】



99912201

【Disable Standard 25】

Note: If the scanner fails to identify Standard 25 barcodes, you may first try this solution by scanning the **Enter Setup** barcode and then **Enable Standard 25** barcode.



99900032

【Exit Setup】



99900031

** 【Enter Setup】

Set Code ID

Code ID can only consist of one or two English letters. See the “**Code ID Table**” section in Chapter 7 to find the default Code ID for Standard 25.

To set the Code ID, scan the **Set Code ID for Standard 25** barcode, the numeric barcodes corresponding to the hexadecimal value of a desired ID and the **Save** barcode.



99912210

【Set Code ID for Standard 25】

Example: Set the Code ID of Standard 25 to “p” (its hexadecimal value is 0x70)

1. Scan the **Enter Setup** barcode.
2. Scan the **Set Code ID for Standard 25** barcode.
3. Scan the numeric barcodes “7” and “0”. (See the “**Digit Barcodes**” section in Chapter 7)
4. Scan the **Save** barcode. (See the “**Save/Cancel Barcodes**” section in Chapter 7)
5. Scan the **Exit Setup** barcode.



99900032

【Exit Setup】



** 【Enter Setup】

Parity Check

A check digit is optional for Standard 25 and can be added as the last digit. It is a calculated value used to verify the accuracy of the data. By default, the scanner does not run parity check.

- ◇ **No Parity Check:** The scanner transmits Standard 25 barcodes as is.
- ◇ **Do Not Transmit Check Digit After Parity Check:** The scanner will run a parity check using the last digit of Standard 25 barcode as check digit. Barcodes passing the check will be transmitted except the last digit, whereas those failing it will not be transmitted.
- ◇ **Transmit Check Digit After Parity Check:** The scanner will run a parity check using the last digit of Standard 25 barcode as check digit. Barcodes passing the check will be transmitted, whereas those failing it will not be transmitted.



** 【No Parity Check】



【Transmit Check Digit After Parity Check】



【Do Not Transmit Check Digit After Parity Check】

Note: If the **Do Not Transmit Check Digit After Parity Check** option is enabled, Standard 25 barcodes with a length that is less than the configured minimum length after having the check digit excluded will not be decoded. (For example, when the **Do Not Transmit Check Digit After Parity Check** option is enabled and the minimum length is set to 4, Standard 25 barcodes with a total length of 4 characters including the check digit cannot be read.)



【Exit Setup】



99900031

** 【Enter Setup】

Set Length Range for Standard 25

The scanner can be configured to only decode Standard 25 barcodes with lengths that fall between (inclusive) the minimum and maximum lengths. To accomplish it, you need to set the minimum and maximum lengths.

Both lengths can range from 4 to 255 characters. If minimum length is set to be greater than maximum length, the scanner only decodes Standard 25 barcodes with either the minimum or maximum length. If minimum length is same as maximum length, only Standard 25 barcodes with that length are to be decoded. The default minimum and maximum lengths are 6 characters and 255 characters respectively.



99912206

【Set the Minimum Length】



99912207

【Set the Maximum Length】



99900032

【Exit Setup】



99900031

** 【Enter Setup】

Code 39

Restore Default Settings

Scan the barcode below to restore all parameters in Code 39 configuration to the factory default settings. To find the related default settings, see the “**Default Parameters Table**” section in Chapter 7.



99912400

【Restore the Default Settings of Code 39】

Enable/Disable Code 39

Code 39 is enabled by default.



99912402

** 【Enable Code 39】



99912401

【Disable Code 39】

Note: If the scanner fails to identify Code 39 barcodes, you may first try this solution by scanning the **Enter Setup** barcode and then **Enable Code 39** barcode.



99900032

【Exit Setup】



99900031

** 【Enter Setup】

Set Code ID

Code ID can only consist of one or two English letters. See the “**Code ID Table**” section in Chapter 7 to find the default Code ID for Code 39.

To set the Code ID, scan the **Set Code ID for Code 39** barcode, the numeric barcodes corresponding to the hexadecimal value of a desired ID and the **Save** barcode.



99912414

【Set Code ID for Code 39】

Example: Set the Code ID of Code 39 to “p” (its hexadecimal value is 0x70)

1. Scan the **Enter Setup** barcode.
2. Scan the **Set Code ID for Code 39** barcode.
3. Scan the numeric barcodes “7” and “0”. (See the “**Digit Barcodes**” section in Chapter 7)
4. Scan the **Save** barcode. (See the “**Save/Cancel Barcodes**” section in Chapter 7)
5. Scan the **Exit Setup** barcode.



99900032

【Exit Setup】



** 【Enter Setup】

Parity Check

A check digit is optional for Code 39 and can be added as the last digit. It is a calculated value used to verify the accuracy of the data. By default, the scanner does not run parity check.

- ◇ **No Parity Check:** The scanner transmits Code 39 barcodes as is.
- ◇ **Do Not Transmit Check Digit After Parity Check:** The scanner will run a parity check using the last digit of Code 39 barcode as check digit. Barcodes passing the check will be transmitted except the last digit, whereas those failing it will not be transmitted.
- ◇ **Transmit Check Digit After Parity Check:** The scanner will run a parity check using the last digit of Code 39 barcode as check digit. Barcodes passing the check will be transmitted, whereas those failing it will not be transmitted.



** 【No Parity Check】



【Transmit Check Digit After Parity Check】



【Do Not Transmit Check Digit After Parity Check】

Note: If the **Do Not Transmit Check Digit After Parity Check** option is enabled, Code 39 barcodes with a length that is less than the configured minimum length after having the check digit excluded will not be decoded. (For example, when the **Do Not Transmit Check Digit After Parity Check** option is enabled and the minimum length is set to 4, Code 39 barcodes with a total length of 4 characters including the check digit cannot be read.)



【Exit Setup】



99900031

** 【Enter Setup】

Transmit Start/Stop Character

Code 39 uses an asterisk (*) for both the start and the stop characters. You can choose whether or not to transmit the start/stop characters by scanning the appropriate barcode below. By default, the scanner transmits the start/stop characters.



99912407

** 【Transmit Start/Stop Character】



99912406

【Do not Transmit Start/Stop Character】

Enable/Disable Code 39 Full ASCII

You can configure your scanner to identify all ASCII characters by scanning the appropriate barcode below. By default, the scanner is able to read all ASCII characters.



99912410

【Disable Code 39 Full ASCII】



99912411

** 【Enable Code 39 Full ASCII】



99900032

【Exit Setup】



** 【Enter Setup】

Set Length Range for Code 39

The scanner can be configured to only decode Code 39 barcodes with lengths that fall between (inclusive) the minimum and maximum lengths. To accomplish it, you need to set the minimum and maximum lengths.

Both lengths can range from 4 to 255 characters. If minimum length is set to be greater than maximum length, the scanner only decodes Code 39 barcodes with either the minimum or maximum length. If minimum length is same as maximum length, only Code 39 barcodes with that length are to be decoded. The default minimum and maximum lengths are 4 characters and 255 characters respectively.



【Set the Minimum Length】



【Set the Maximum Length】

Example: Set the scanner to decode Code 39 barcodes containing between 8 and 12 characters.

1. Scan the **Enter Setup** barcode.
2. Scan the **Set the Minimum Length** barcode.
3. Scan the numeric barcode “8”. (See the “**Digit Barcodes**” section in Chapter 7)
4. Scan the **Save** barcode. (See the “**Save/Cancel Barcodes**” section in Chapter 7)
5. Scan the **Set the Maximum Length** barcode.
6. Scan the numeric barcode “1”.
7. Scan the numeric barcode “2”.
8. Scan the **Save** barcode.
9. Scan the **Exit Setup** barcode.



【Exit Setup】



99900031

** 【Enter Setup】

Codabar

Restore Default Settings

Scan the barcode below to restore all parameters in Codabar configuration to the factory default settings. To find the related default settings, see the “**Default Parameters Table**” section in Chapter 7.



99912500

【Restore the Default Settings of Codabar】

Enable/Disable Codabar

Codabar is enabled by default.



99912502

** 【Enable Codabar】



99912501

【Disable Codabar】

Note: If the scanner fails to identify Codabar barcodes, you may first try this solution by scanning the **Enter Setup** barcode and then **Enable Codabar** barcode.



99900032

【Exit Setup】



** 【Enter Setup】

Set Code ID

Code ID can only consist of one or two English letters. See the “**Code ID Table**” section in Chapter 7 to find the default Code ID for Codabar.

To set the Code ID, scan the **Set Code ID for Codabar** barcode, the numeric barcodes corresponding to the hexadecimal value of a desired ID and the **Save** barcode.



【Set Code ID for Codabar】

Example: Set the Code ID of Codabar to “p” (its hexadecimal value is 0x70)

1. Scan the **Enter Setup** barcode.
2. Scan the **Set Code ID for Codabar** barcode.
3. Scan the numeric barcodes “7” and “0”. (See the “**Digit Barcodes**” section in Chapter 7)
4. Scan the **Save** barcode. (See the “**Save/Cancel Barcodes**” section in Chapter 7)
5. Scan the **Exit Setup** barcode.



【Exit Setup】



99900031

** 【Enter Setup】

Parity Check

A check digit is optional for Codabar and can be added as the last digit. It is a calculated value used to verify the accuracy of the data. By default, the scanner does not run parity check.

- ◇ **No Parity Check:** The scanner transmits Codabar barcodes as is.
- ◇ **Do Not Transmit Check Digit After Parity Check:** The scanner will run a parity check using the last digit of Codabar barcode as check digit. Barcodes passing the check will be transmitted except the last digit, whereas those failing it will not be transmitted.
- ◇ **Transmit Check Digit After Parity Check:** The scanner will run a parity check using the last digit of Codabar barcode as check digit. Barcodes passing the check will be transmitted, whereas those failing it will not be transmitted.



99912503

** 【No Parity Check】



99912504

【Transmit Check Digit After Parity Check】



99912505

【Do Not Transmit Check Digit After Parity Check】

Note: If the **Do Not Transmit Check Digit After Parity Check** option is enabled, Codabar barcodes with a length that is less than the configured minimum length after having the check digit excluded will not be decoded. (For example, when the **Do Not Transmit Check Digit After Parity Check** option is enabled and the minimum length is set to 4, Codabar barcodes with a total length of 4 characters including the check digit cannot be read.)



99900032

【Exit Setup】



99900031

** 【Enter Setup】

Start/Stop Character

By default, the scanner transmits start/stop characters which are in the form of "ABCD/ABCD".



99912506

【Do not Transmit Start/Stop Character】



99912507

** 【Transmit Start/Stop Character】



99912510

** 【ABCD/ABCD As the Start/Stop Character】



99912511

【ABCD/TN*E As the Start/Stop Character】



99912512

【abcd/abcd As the Start/Stop Character】



99912513

【abcd/tn*e As the Start/Stop Character】



99900032

【Exit Setup】



99900031

** 【Enter Setup】

Set Length Range for Codabar

The scanner can be configured to only decode Codabar barcodes with lengths that fall between (inclusive) the minimum and maximum lengths. To accomplish it, you need to set the minimum and maximum lengths.

Both lengths can range from 2 to 255 characters. If minimum length is set to be greater than maximum length, the scanner only decodes Codabar barcodes with either the minimum or maximum length. If minimum length is same as maximum length, only Codabar barcodes with that length are to be decoded. The default minimum and maximum lengths are 4 characters and 255 characters respectively.



99912514

【Set the Minimum Length】



99912515

【Set the Maximum Length】



99900032

【Exit Setup】



99900031

** 【Enter Setup】

Code 93

Restore Default Settings

Scan the barcode below to restore all parameters in Code 93 configuration to the factory default settings. To find the related default settings, see the “**Default Parameters Table**” section in Chapter 7.



99912600

【Restore the Default Settings of Code 93】

Enable/Disable Code 93

Code 93 is enabled by default.



99912602

** 【Enable Code 93】



99912601

【Disable Code 93】

Note: If the scanner fails to identify Code 93 barcodes, you may first try this solution by scanning the **Enter Setup** barcode and then **Enable Code 93** barcode.



99900032

【Exit Setup】



99900031

** 【Enter Setup】

Set Code ID

Code ID can only consist of one or two English letters. See the “**Code ID Table**” section in Chapter 7 to find the default Code ID for Code 93.

To set the Code ID, scan the **Set Code ID for Code 93** barcode, the numeric barcodes corresponding to the hexadecimal value of a desired ID and the **Save** barcode.



99912610

【Set Code ID for Code 93】

Example: Set the Code ID of Code 93 to “p” (its hexadecimal value is 0x70)

1. Scan the **Enter Setup** barcode.
2. Scan the **Set Code ID for Code 93** barcode.
3. Scan the numeric barcodes “7” and “0”. (See the “**Digit Barcodes**” section in Chapter 7)
4. Scan the **Save** barcode. (See the “**Save/Cancel Barcodes**” section in Chapter 7)
5. Scan the **Exit Setup** barcode.



99900032

【Exit Setup】



** 【Enter Setup】

Parity Check

Check digits are optional for Code 93 and can be added as the last two digits, which are calculated values used to verify the accuracy of the data. By default, the scanner does not transmit check digits after parity check.

- ◇ **No Parity Check:** The scanner transmits Code 93 barcodes as is.
- ◇ **Do Not Transmit Check Digit After Parity Check:** The scanner will run parity checks using the last two digit of Code 93 barcode as check digits. Barcodes passing the checks will be transmitted except the last two digits, whereas those failing them will not be transmitted.
- ◇ **Transmit Check Digit After Parity Check:** The scanner will run parity checks using the last two digits of Code 93 barcode as check digits. Barcodes passing the checks will be transmitted, whereas those failing them will not be transmitted.



【No Parity Check】



【Transmit Check Digit After Parity Check】



** 【Do Not Transmit Check Digit After Parity Check】

Note: If the **Do Not Transmit Check Digit After Parity Check** option is enabled, Code 93 barcodes with a length that is less than the configured minimum length after having the two check digits excluded will not be decoded. (For example, when the **Do Not Transmit Check Digits After Parity Check** option is enabled and the minimum length is set to 4, Code 93 barcodes with a total length of 4 characters including the two check digits cannot be read.)



【Exit Setup】



99900031

** 【Enter Setup】

Set Length Range for Code 93

The scanner can be configured to only decode Code 93 barcodes with lengths that fall between (inclusive) the minimum and maximum lengths. To accomplish it, you need to set the minimum and maximum lengths.

Both lengths can range from 1 to 255 characters. If minimum length is set to be greater than maximum length, the scanner only decodes Code 93 barcodes with either the minimum or maximum length. If minimum length is same as maximum length, only Code 93 barcodes with that length are to be decoded. The default minimum and maximum lengths are 2 characters and 255 characters respectively.



99912606

【Set the Minimum Length】



99912607

【Set the Maximum Length】



99900032

【Exit Setup】



99900031

** 【Enter Setup】

Code 11

Restore Default Settings

Scan the barcode below to restore all parameters in Code 11 configuration to the factory default settings. To find the related default settings, see the “**Default Parameters Table**” section in Chapter 7.



99912700

【Restore the Default Settings of Code 11】

Enable/Disable Code 11

Code 11 is disabled by default.



99912702

【Enable Code 11】



99912701

** 【Disable Code 11】

Note: If the scanner fails to identify Code 11 barcodes, you may first try this solution by scanning the **Enter Setup** barcode and then **Enable Code 11** barcode.



99900032

【Exit Setup】



99900031

** 【Enter Setup】

Set Code ID

Code ID can only consist of one or two English letters. See the “**Code ID Table**” section in Chapter 7 to find the default Code ID for Code 11.

To set the Code ID, scan the **Set Code ID for Code 11** barcode, the numeric barcodes corresponding to the hexadecimal value of a desired ID and the **Save** barcode.



99912715

【Set Code ID for Code 11】

Example: Set the Code ID of Code 11 to “p” (its hexadecimal value is 0x70)

1. Scan the **Enter Setup** barcode.
2. Scan the **Set Code ID for Code 11** barcode.
3. Scan the numeric barcodes “7” and “0”. (See the “**Digit Barcodes**” section in Chapter 7)
4. Scan the **Save** barcode. (See the “**Save/Cancel Barcodes**” section in Chapter 7)
5. Scan the **Exit Setup** barcode.



99900032

【Exit Setup】



99900031

** 【Enter Setup】

Parity Check

Check digits are optional for Code 11 and can be added as the last one or two digits, which are calculated values used to verify the accuracy of the data. By default, the scanner does not transmit check digit after parity check (One Check Digit, MOD11).

If the **No Parity Check** option is enabled, the scanner transmits Code 11 barcodes as is.



99912703

【No Parity Check】



99912704

** 【One Check Digit, MOD11】



99912705

【Two Check Digits, MOD11/MOD11】



99912706

【Two Check Digits, MOD11/MOD9】



99912707

【One Check Digit, MOD11 (Len<=10)】
【Two Check Digits, MOD11/MOD11 (Len>10)】



99912710

【One Check Digit, MOD11 (Len<=10)】
【Two Check Digits, MOD11/MOD9 (Len>10)】



99912711

** 【Do Not Transmit Check Digit】



99912712

【Transmit Check Digit】

Note: If the scanner enables one type of parity check and the **Do Not Transmit Check Digit** option, Code 11 barcodes with a length that is less than the configured minimum length after having the check digit(s) excluded will not be decoded. (For example, when the **One Check Digit, MOD11** and **Do Not Transmit Check Digit** options are enabled



99900032

【Exit Setup】



** 【Enter Setup】

and the minimum length is set to 4, Code 11 barcodes with a total length of 4 characters including the check digit cannot be read.)

Set Length Range for Code 11

The scanner can be configured to only decode Code 11 barcodes with lengths that fall between (inclusive) the minimum and maximum lengths. To accomplish it, you need to set the minimum and maximum lengths.

Both lengths can range from 3 to 255 characters. If minimum length is set to be greater than maximum length, the scanner only decodes Code 11 barcodes with either the minimum or maximum length. If minimum length is same as maximum length, only Code 11 barcodes with that length are to be decoded. The default minimum and maximum lengths are 4 characters and 255 characters respectively.



【Set the Minimum Length】



【Set the Maximum Length】

Example: Set the scanner to decode Code11 barcodes containing between 8 and 12 characters.

1. Scan the **Enter Setup** barcode.
2. Scan the **Set the Minimum Length** barcode.
3. Scan the numeric barcode “8”. (See the “**Digit Barcodes**” section in Chapter 7)
4. Scan the **Save** barcode. (See the “**Save/Cancel Barcodes**” section in Chapter 7)
5. Scan the **Set the Maximum Length** barcode.
6. Scan the numeric barcode “1”.
7. Scan the numeric barcode “2”.
8. Scan the **Save** barcode.
9. Scan the **Exit Setup** barcode.



【Exit Setup】



** 【Enter Setup】

Plessey

Restore Default Settings

Scan the barcode below to restore all parameters in Plessey configuration to the factory default settings. To find the related default settings, see the “**Default Parameters Table**” section in Chapter 7.



【Restore the Default Settings of Plessey】

Enable/Disable Plessey

Plessey is disabled by default.



【Enable Plessey】



** 【Disable Plessey】

Note: If the scanner fails to identify Plessey barcodes, you may first try this solution by scanning the **Enter Setup** barcode and then **Enable Plessey** barcode.



【Exit Setup】



99900031

** 【Enter Setup】

Set Code ID

Code ID can only consist of one or two English letters. See the “**Code ID Table**” section in Chapter 7 to find the default Code ID for Plessey.

To set the Code ID, scan the **Set Code ID for Plessey** barcode, the numeric barcodes corresponding to the hexadecimal value of a desired ID and the **Save** barcode.



99913010

【Set Code ID for Plessey】

Example: Set the Code ID of Plessey to “p” (its hexadecimal value is 0x70)

1. Scan the **Enter Setup** barcode.
2. Scan the **Set Code ID for Plessey** barcode.
3. Scan the programming barcodes for “7” and “0”. (See the “**Digit Barcodes**” section in Chapter 7)
4. Scan the **Save** barcode. (See the “**Save/Cancel Barcodes**” section in Chapter 7)
5. Scan the **Exit Setup** barcode.



99900032

【Exit Setup】



** 【Enter Setup】

Parity Check

Check digits are optional for Plessey and can be added as the last two digits, which are calculated values used to verify the accuracy of the data. By default, the scanner does not transmit check digits after parity check.

- ◇ **No Parity Check:** The scanner transmits Plessey barcodes as is.
- ◇ **Do Not Transmit Check Digit After Parity Check:** The scanner will run parity checks using the last two digits of Plessey barcode as check digits. Barcodes passing the checks will be transmitted except the last two digits, whereas those failing them will not be transmitted.
- ◇ **Transmit Check Digit After Parity Check:** The scanner will run parity checks using the last two digits of Plessey barcode as check digits. Barcodes passing the checks will be transmitted, whereas those failing them will not be transmitted.



【No Parity Check】



【Transmit Check Digit After Parity Check】



** 【Do Not Transmit Check Digit After Parity Check】

Note: If the **Do Not Transmit Check Digit After Parity Check** option is enabled, Plessey barcodes with a length that is less than the configured minimum length after having the check digits excluded will not be decoded. (For example, when the **Do Not Transmit Check Digit After Parity Check** option is enabled and the minimum length is set to 4, Plessey barcodes with a total length of 4 characters including the check digits cannot be read.)



【Exit Setup】



99900031

** 【Enter Setup】

Set Length Range for Plessey

The scanner can be configured to only decode Plessey barcodes with lengths that fall between (inclusive) the minimum and maximum lengths. To accomplish it, you need to set the minimum and maximum lengths.

Both lengths can range from 4 to 255 characters. If minimum length is set to be greater than maximum length, the scanner only decodes Plessey barcodes with either the minimum or maximum length. If minimum length is same as maximum length, only Plessey barcodes with that length are to be decoded. The default minimum and maximum lengths are 4 characters and 255 characters respectively.



99913006

【Set the Minimum Length】



99913007

【Set the Maximum Length】



99900032

【Exit Setup】



99900031

** 【Enter Setup】

MSI-Plessey

Restore Default Settings

Scan the barcode below to restore all parameters in MSI-Plessey configuration to the factory default settings. To find the related default settings, see the “**Default Parameters Table**” section in Chapter 7.



99913100

【Restore the Default Settings of MSI-Plessey】

Enable/Disable MSI-Plessey

MSI-Plessey is disabled by default.



99913102

【Enable MSI-Plessey】



99913101

** 【Disable MSI-Plessey】

Note: If the scanner fails to identify MSI-Plessey barcodes, you may first try this solution by scanning the **Enter Setup** barcode and then **Enable MSI-Plessey** barcode.



99900032

【Exit Setup】



99900031

** 【Enter Setup】

Set Code ID

Code ID can only consist of one or two English letters. See the “**Code ID Table**” section in Chapter 7 to find the default Code ID for MSI-Plessey.

To set the Code ID, scan the **Set Code ID for MSI-Plessey** barcode, the numeric barcodes corresponding to the hexadecimal value of a desired ID and the **Save** barcode.



99913113

【Set Code ID for MSI-Plessey】

Example: Set the Code ID of MSI-Plessey to “p” (its hexadecimal value is 0x70)

1. Scan the **Enter Setup** barcode.
2. Scan the **Set Code ID for MSI-Plessey** barcode.
3. Scan the numeric barcodes “7” and “0”. (See the “**Digit Barcodes**” section in Chapter 7)
4. Scan the **Save** barcode. (See the “**Save/Cancel Barcodes**” section in Chapter 7)
5. Scan the **Exit Setup** barcode.



99900032

【Exit Setup】



** 【Enter Setup】

Parity Check

Check digits are optional for MSI-Plessey and can be added as the last one or two digits, which are calculated values used to verify the accuracy of the data. By default, the scanner does not transmit check digit after parity check (One Check Digit, MOD10).

If the **No Parity Check** option is enabled, the scanner transmits MSI-Plessey barcodes as is.



【No Parity Check】



** 【One Check Digit, MOD10】



【Two Check Digits, MOD10/MOD10】



【Two Check Digits, MOD10/MOD11】



** 【Do Not Transmit Check Digit】



【Transmit Check Digit】

Note: If the scanner enables one type of parity check and the **Do Not Transmit Check Digit** option, MSI-Plessey barcodes with a length that is less than the configured minimum length after having the check digit(s) excluded will not be decoded. (For example, when the **One Check Digit, MOD10** and **Do Not Transmit Check Digit** options are enabled and the minimum length is set to 4, MSI-Plessey barcodes with a total length of 4 characters including the check digit cannot be read.)



【Exit Setup】



99900031

** 【Enter Setup】

Set Length Range for MSI-Plessey

The scanner can be configured to only decode MSI-Plessey barcodes with lengths that fall between (inclusive) the minimum and maximum lengths. To accomplish it, you need to set the minimum and maximum lengths.

Both lengths can range from 3 to 255 characters. If minimum length is set to be greater than maximum length, the scanner only decodes MSI-Plessey barcodes with either the minimum or maximum length. If minimum length is same as maximum length, only MSI-Plessey barcodes with that length are to be decoded. The default minimum and maximum lengths are 4 characters and 255 characters respectively.



99913111

【Set the Minimum Length】



99913112

【Set the Maximum Length】



99900032

【Exit Setup】



99900031

** 【Enter Setup】

GS1 Databar

Restore Default Settings

Scan the barcode below to restore all parameters in GS1 Databar configuration to the factory default settings. To find the related default settings, see the “**Default Parameters Table**” section in Chapter 7.



99913200

【Restore the Default Settings of GS1 Databar】

Enable/Disable GS1 Databar

GS1 Databar is enabled by default.



99913202

** 【Enable GS1 Databar】



99913201

【Disable GS1 Databar】

Note: If the scanner fails to identify GS1 Databar barcodes, you may first try this solution by scanning the **Enter Setup** barcode and then **Enable GS1 Databar** barcode.



99900032

【Exit Setup】



99900031

** 【Enter Setup】

Set Code ID

Code ID can only consist of one or two English letters. See the “**Code ID Table**” section in Chapter 7 to find the default Code ID for GS1 Databar.

To set the Code ID, scan the **Set Code ID for GS1 Databar** barcode, the numeric barcodes corresponding to the hexadecimal value of a desired ID and the **Save** barcode.



99913203

【Set Code ID for GS1 Databar】

Example: Set the Code ID of GS1 Databar to “p” (its hexadecimal value is 0x70)

1. Scan the **Enter Setup** barcode.
2. Scan the **Set Code ID for GS1 Databar** barcode.
3. Scan the numeric barcodes “7” and “0”. (See the “**Digit Barcodes**” section in Chapter 7)
4. Scan the **Save** barcode. (See the “**Save/Cancel Barcodes**” section in Chapter 7)
5. Scan the **Exit Setup** barcode.



99900032

【Exit Setup】



** 【Enter Setup】

PDF417

Restore Default Settings

Scan the barcode below to restore all parameters in PDF417 configuration to the factory default settings. To find the related default settings, see the “**Default Parameters Table**” section in Chapter 7.



【Restore the Default Settings of PDF417】

Enable/Disable PDF417

PDF417 is enabled by default.



** 【Enable PDF417】



【Disable PDF417】

Note:

- ✧ If the scanner fails to identify PDF417 barcodes, you may first try this solution by scanning the **Enter Setup** barcode and then **Enable PDF417** barcode.
- ✧ Maximum length supported: 255 bytes.



【Exit Setup】



99900031

** 【Enter Setup】

Set Code ID

Code ID can only consist of one or two English letters. See the “**Code ID Table**” section in Chapter 7 to find the default Code ID for PDF417.

To set the Code ID, scan the **Set Code ID for PDF417** barcode, the numeric barcodes corresponding to the hexadecimal value of a desired ID and the **Save** barcode.



99920115

【Set Code ID for PDF417】

Example: Set the Code ID of PDF417 to “p” (its hexadecimal value is 0x70)

1. Scan the **Enter Setup** barcode.
2. Scan the **Set Code ID for PDF417** barcode.
3. Scan the numeric barcodes “7” and “0”. (See the “**Digit Barcodes**” section in Chapter 7)
4. Scan the **Save** barcode. (See the “**Save/Cancel Barcodes**” section in Chapter 7)
5. Scan the **Exit Setup** barcode.



99900032

【Exit Setup】



** 【Enter Setup】

Set Length Range for PDF417

The scanner can be configured to only decode PDF417 barcodes with lengths that fall between (inclusive) the minimum and maximum lengths. To accomplish it, you need to set the minimum and maximum lengths.

Both lengths can range from 1 to 255 bytes. If minimum length is set to be greater than maximum length, the scanner only decodes MSI-Plessey barcodes with either the minimum or maximum length. If minimum length is same as maximum length, only MSI-Plessey barcodes with that length are to be decoded. The default minimum and maximum lengths are 1 byte and 255 bytes respectively.



【Set the Minimum Length】



【Set the Maximum Length】



【Exit Setup】



99900031

** 【Enter Setup】

Sample Barcodes

When reading a PDF417 barcode, you need to scan it horizontally from the top/bottom row of the barcode to the bottom/top.

Apart from the influence of barcode density, consecutive horizontal scans are essential for accomplishing a good read. The greater the row height is, the easier it is to decode a PDF417 barcode.

Listed below are some sample barcodes (15 mil).



【12345678901234567890】



99900032

【Exit Setup】



99900031

** 【Enter Setup】

【abcdefghijklmnopqrstuvwxyz】



99900032

【Exit Setup】



99900031

** 【Enter Setup】

MicroPDF417

Restore Default Settings

Scan the barcode below to restore all parameters in PDF417 configuration to the factory default settings. To find the related default settings, see the “**Default Parameters Table**” section in Chapter 7.



99921100

【Restore the Default Settings of MicroPDF417】

Enable/Disable MicroPDF417

MicroPDF417 is disabled by default.



99921102

【Enable MicroPDF417】



99921101

** 【Disable MicroPDF417】

Note:

- ✦ If the scanner fails to identify MicroPDF417 barcodes, you may first try this solution by scanning the **Enter Setup** barcode and then **Enable MicroPDF417** barcode.
- ✦ Maximum length supported: 255 bytes.



99900032

【Exit Setup】



** 【Enter Setup】

Set Code ID

Code ID can only consist of one or two English letters. See the “**Code ID Table**” section in Chapter 7 to find the default Code ID for MicroPDF417.

To set the Code ID, scan the **Set Code ID for MicroPDF417** barcode, the numeric barcodes corresponding to the hexadecimal value of a desired ID and the **Save** barcode.



【Set Code ID for MicroPDF417】

Example: Set the Code ID of MicroPDF417 to “p” (its hexadecimal value is 0x70)

1. Scan the **Enter Setup** barcode.
2. Scan the **Set Code ID for MicroPDF417** barcode.
3. Scan the programming barcodes for “7” and “0”. (See the “**Digit Barcodes**” section in Chapter 7)
4. Scan the **Save** barcode. (See the “**Save/Cancel Barcodes**” section in Chapter 7)
5. Scan the **Exit Setup** barcode.



【Exit Setup】



99900031

** 【Enter Setup】

Set Length Range for MicroPDF417

The scanner can be configured to only decode MicroPDF417 barcodes with lengths that fall between (inclusive) the minimum and maximum lengths. To accomplish it, you need to set the minimum and maximum lengths.

Both lengths can range from 1 to 255 bytes. If minimum length is set to be greater than maximum length, the scanner only decodes MSI-Plessey barcodes with either the minimum or maximum length. If minimum length is same as maximum length, only MSI-Plessey barcodes with that length are to be decoded. The default minimum and maximum lengths are 1 byte and 255 bytes respectively.



99921103

【Set the Minimum Length】



99921104

【Set the Maximum Length】



99900032

【Exit Setup】



** 【Enter Setup】

Sample Barcodes

When reading a MicroPDF417 barcode, you need to scan it horizontally from the top/bottom row of the barcode to the bottom/top.

Apart from the influence of barcode density, consecutive horizontal scans are essential for accomplishing a good read. The greater the row height is, the easier it is to decode a MicroPDF417 barcode.

Listed below are some sample barcodes (15 mil).



【新大陆自动识别技术有限公司】



【12345678901234567890】



【Exit Setup】



99900031

** 【Enter Setup】



【abcdefghijklmnopqrstuvwxyz】



99900032

【Exit Setup】

Chapter 7 Appendix

Default Parameters Table

Parameter		Default	Remark
General Settings			
Setup Mode		Enabled	
Scan Mode		Manual Mode	
Wireless Communication Mode		Synchronous Mode	
Decode Session Timeout		15 seconds	00~15 (00: Infinite; 01~15: 1~15sec)
Timeout between Decodes		1 second	00~15 (0~7.5sec)
Sensitivity		High Sensibility	Applicable to the Sense mode
Security		Level 1	
Decode Beep		Medium-Pitched Loud Beep, 150ms	Beep notification after good decode
Reread Same Barcode	Auto Mode	Disabled	
	Continuous Mode	Enabled	
	Sense Mode	Enabled	
Timeout between Decodes (Same Barcode) (For the Continuous and Sense modes only)		1.6 seconds	0~120 (0~12.0s); 127: Infinite
Recalculate Timeout After Good Read		Enabled	Applicable to the Auto mode
Number of Barcodes per Scan		Read One Barcode Nearest to the Center Per Scan	
Output Interval		0ms	
Power-Off Timeout		5 minutes	Applicable to the Manual mode
Communication Settings			
Baud Rate		115200bps	
Parity Check		None	
Stop Bit		1 bit	
Flow Control		None	
Data Bit		8 bits	
USB HID-KBW		Enabled	
Keyboard Layout		1- US (English)	

Parameter	Default	Remark
Inter-Character Delay	0ms	00-15(0-75ms)
Convert Case	No Case Conversion	
Communication Support	Disabled	HR15PCWidget required
Data Formatting		
Prefix Sequence	Code ID+Custom+AIM ID	
AIM ID Prefix	Disabled	
Code ID Prefix	Disabled	1 or 2 English letters
Custom Prefix	Disabled	Max. length: 11 characters
Custom Suffix	Disabled	Max. length: 11 characters
Terminating Character Suffix	Enabled	
Terminating Character	0x0D,0x0A	
Symbologies		
Code 128		
Code 128	Enabled	
Maximum Length	255	
Minimum Length	1	
UCC/EAN-128		
UCC/EAN-128	Enabled	
Maximum Length	255	
Minimum Length	1	
AIM 128		
AIM 128	Disabled	
Maximum Length	255	
Minimum Length	1	
EAN-8		
EAN-8	Enabled	
Check Digit	Transmit	
2-Digit Add-On Code	Disabled	
5-Digit Add-On Code	Disabled	
Decode EAN-8 + 2-digit Add-On Code Only	Disabled	
Decode EAN-8 + 5-digit Add-On Code Only	Disabled	
Extend to EAN-13	Disabled	
Convert to EAN-13	Disabled	

Parameter	Default	Remark
EAN-13		
EAN-13	Enabled	
Check Digit	Transmit	
2-Digit Add-On Code	Disabled	
5-Digit Add-On Code	Disabled	
Decode EAN-13 + 2-digit Add-On Code Only	Disabled	
Decode EAN-13 + 5-digit Add-On Code Only	Disabled	
ISSN		
ISSN	Disabled	
ISBN		
ISBN	Disabled	
ISBN Format	ISBN-13	
UPC-E		
UPC-E	Enabled	
Check Digit	Transmit	
2-Digit Add-On Code	Disabled	
5-Digit Add-On Code	Disabled	
Decode UPC-E + 2-digit Add-On Code Only	Disabled	
Decode UPC-E + 5-digit Add-On Code Only	Disabled	
Extend to UPC-A	Disabled	
Convert to UPC-A	Disabled	
System Character "0"	Do not transmit	
UPC-A		
UPC-A	Enabled	
Check Digit	Transmit	
2-Digit Add-On Code	Disabled	
5-Digit Add-On Code	Disabled	
Decode UPC-A + 2-digit Add-On Code Only	Disabled	
Decode UPC-A + 5-digit Add-On Code Only	Disabled	
Preamble Character "0"	Do not transmit	
Interleaved 2 of 5		
Interleaved 2 of 5	Enabled	
Parity Check	Enabled	

Parameter	Default	Remark
Check Digit	Do not transmit	
Maximum Length	255	
Minimum Length	6	Min. length supported: 5
ITF-6		
ITF-6	Disabled	
Check Digit	Do not transmit	
ITF-14		
ITF-14	Disabled	
Check Digit	Do not transmit	
Deutshe 14		
Deutshe 14	Disabled	
Check Digit	Do not transmit	
Deutshe 12		
Deutshe 12	Disabled	
Check Digit	Do not transmit	
COOP 25 (Japanese Matrix 2 of 5)		
COOP 25	Disabled	
Parity Check	Disabled	
Check Digit	Do not transmit	
Maximum Length	255	
Minimum Length	6	Min. length supported: 3
Matrix 2 of 5 (European Matrix 2 of 5)		
Matrix 2 of 5	Enabled	
Parity Check	Disabled	
Check Digit	Do not transmit	
Maximum Length	255	
Minimum Length	6	Min. length supported: 3
Industrial 25		
Industrial 25	Enabled	
Parity Check	Disabled	
Check Digit	Do not transmit	
Maximum Length	255	
Minimum Length	6	Min. length supported: 4

Parameter	Default	Remark
Standard 25		
Standard 25	Enabled	
Parity Check	Disabled	
Check Digit	Do not transmit	
Maximum Length	255	
Minimum Length	6	Min. length supported: 4
Code 39		
Code 39	Enabled	
Parity Check	Disabled	
Check Digit	Do not transmit	
Start/Stop Character	Transmit	
Code 39 Full ASCII	Enabled	
Maximum Length	255	
Minimum Length	4	Min. length supported: 4 (including start/stop characters and check digit)
Codabar		
Codebar	Enabled	
Parity Check	Disabled	
Check Digit	Do not transmit	
Start/Stop Character	ABCD/ABCD format Transmit	
Maximum Length	255	
Minimum Length	4	Min. length supported: 2
Code 93		
Code 93	Enabled	
Parity Check	Enabled	
Check Digit	Do not transmit	
Maximum Length	255	
Minimum Length	2	Min. length supported: 1
Code 11		
Code 11	Disabled	
Check Digit	Do not transmit	
Parity Check	Enabled 1 Check Digit, MOD11	

Parameter	Default	Remark
Maximum Length	255	
Minimum Length	4	Min. length supported: 3
Plessey		
Plessey	Disabled	
Parity Check	Enabled	
Check Digit	Do not transmit	
Maximum Length	255	
Minimum Length	4	Min. length supported: 4
MSI-Plessey		
MSI-Plessey	Disabled	
Check Digit	Do not transmit	
Parity Check	Enabled 1 Check Digit, MOD10	
Maximum Length	255	
Minimum Length	4	Min. length supported: 3
GS1 Databar		
GS1 Databar	Enabled	
PDF 417		
PDF 417	Enabled	
Maximum Length	255	
Minimum Length	1	
MicroPDF417		
MicroPDF417	Disabled	
Maximum Length	255	
Minimum Length	1	

AIM ID Table

Barcode Type	AIM ID	Possible AIM ID Modifiers (m)
Code 128	JC0	
UCC/EAN-128	JC1	
AIM 128	JC2	
EAN-8	JE4	
EAN-13	JE0	
EAN-13 with Add-On	JE3	
ISSN	JX0	
ISBN	JX0	
UPC-E	JE0	
UPC-E with Add-On	JE3	
UPC-A	JE0	
UPC-A with Add-On	JE3	
Interleaved 2 of 5	JIm	0,1,3
ITF-6	JIm	1,3
ITF-14	JIm	1,3
Deutsche 14	JX0	
Deutsche 12	JX0	
COOP 25 (Japanese Matrix 2 of 5)	JX0	
Matrix 2 of 5(European Matrix 2 of 5)	JX0	
Industrial 25	JS0	
Standard 25	JR0	
Code 39	JAm	0,1,3,4,5,7
Codabar	JFm	0,2,4
Code 93	JG0	
Code 11	JHm	0,1,3
Plessey	JP0	
MSI-Plessey	JMm	0,1
GS1 Databar	je0	
PDF417	JLm	0,1,2
MicroPDF417	JLm	3,4,5

Note: "m" represents the AIM modifier character. Refer to ISO/IEC 15424:2008 Information technology – Automatic

identification and data capture techniques – Data Carrier Identifiers (including Symbology Identifiers) for AIM modifier character details.

Code ID Table

Barcode Type	Code ID
Code 128	j
UCC/EAN-128	u
AIM 128	f
ISBT 128	t
EAN-8	g
EAN-13	d
ISSN	n
ISBN	B
UPC-E	h
UPC-A	c
Interleaved 2 of 5	e
ITF-6	r
ITF-14	q
Deutsche 14	w
Deutsche 12	l
COOP 25 (Japanese Matrix 2 of 5)	o
Matrix 2 of 5(European Matrix 2 of 5)	v
Industrial 25	i
Standard 25	s
Code 39	b
Codabar	a
Code 93	y
Code 11	z
Plessey	p
MSI-Plessey	m
GS1 Databar	R
PDF417	P
MicroPDF417	M

Digit Barcodes

After scanning numeric barcode(s), you need to scan the **Save** barcode on the next page to save the data.

0~9



99900000

【0】



99900005

【5】



99900001

【1】



99900006

【6】



99900002

【2】



99900007

【7】



99900003

【3】



99900010

【8】



99900004

【4】



99900011

【9】

A~F



99900012

【A】



99900013

【B】



99900014

【C】



99900015

【D】



99900016

【E】



99900017

【F】

Save/Cancel Barcodes

After reading numeric barcode(s), you need to scan the **Save** barcode to save the data. If you scan the wrong digit(s), you can either scan the **Cancel the Current Settings** barcode and then start the configuration all over again, or scan the **Delete the Last Digit** barcode and then the correct digit, or scan the **Delete All digits** barcode and then the digits you want.

For instance, after reading the **Maximum Length** barcode and numeric barcodes “1”, “2” and “3”, you scan:

- ◇ **Delete the Last Digit:** The last digit “3” will be removed.
- ◇ **Delete All Digits:** All digits “123” will be removed.
- ◇ **Cancel:** The maximum length configuration will be canceled. And the scanner still remains ready to read programming barcode.



99900020

【Save】



99900023

【Cancel】



99900021

【Delete the Last Digit】



99900022

【Delete All Digits】

FCC Statement:

This equipment has been tested and found to comply with the limits for a Class B digital device, pursuant to part 15 of the FCC Rules. These limits are designed to provide reasonable protection against harmful interference in a residential installation. This equipment generates, uses and can radiate radio frequency energy and, if not installed and used in accordance with the instructions, may cause harmful interference to radio communications. However, there is no guarantee that interference will not occur in a particular installation. If this equipment does cause harmful interference to radio or television reception, which can be determined by turning the equipment off and on, the user is encouraged to try to correct the interference by one or more of the following measures:

- Reorient or relocate the receiving antenna.
- Increase the separation between the equipment and receiver.
- Connect the equipment into an outlet on a circuit different from that to which the receiver is connected.
- Consult the dealer or an experienced radio/TV technician for help.

Caution: Any changes or modifications to this device not explicitly approved by manufacturer could void your authority to operate this equipment.

This device complies with part 15 of the FCC Rules. Operation is subject to the following two conditions: (1) This device may not cause harmful interference, and (2) this device must accept any interference received, including interference that may cause undesired operation.

This equipment complies with FCC RF radiation exposure limits set forth for an uncontrolled environment. This device and its antenna must not be located or operating in conjunction with any other antenna or transmitter.

The device has been evaluated to meet general RF exposure requirement. The device can be used in portable exposure condition without restriction.