



Certification Test Report

**FCC ID: SK9SNIC1
IC: 864G-SNIC1**

**FCC Rule Part: 15.247
ISED Canada Radio Standards Specification: RSS-247**

Report Number: AT72133597-2P0

**Manufacturer: Itron, Inc.
Model: SNIC1**

**Test Begin Date: December 5, 2017
Test End Date: December 6, 2017**

Report Issue Date: February 22, 2018



FOR THE SCOPE OF ACCREDITATION UNDER Certificate Number: AT-2021

This report must not be used by the client to claim product certification, approval, or endorsement by ANAB, NIST, or any agency of the Federal Government.

Prepared by:

A handwritten signature in black ink, appearing to read 'R McGann'.

**Ryan McGann
Senior Engineer
TÜV SÜD America Inc.**

Reviewed by:

A handwritten signature in black ink, appearing to read 'Steve O'Steen'.

**Steve O'Steen
Service Line Manager, EMC
TÜV SÜD America Inc.**

This test report shall not be reproduced except in full. This report may be reproduced in part with prior written consent of TÜV SÜD America Inc. The results contained in this report are representative of the sample(s) submitted for evaluation.

This report contains 15 pages

TABLE OF CONTENTS

1	GENERAL	3
1.1	PURPOSE.....	3
1.2	PRODUCT DESCRIPTION.....	3
1.3	TEST METHODOLOGY AND CONSIDERATIONS	4
2	TEST FACILITIES	5
2.1	LOCATION	5
2.2	LABORATORY ACCREDITATIONS/RECOGNITIONS/CERTIFICATIONS	5
2.3	RADIATED EMISSIONS TEST SITE DESCRIPTION	6
2.3.1	<i>Semi-Anechoic Chamber Test Site</i>	6
2.3.2	<i>Open Area Tests Site (OATS)</i>	7
2.4	CONDUCTED EMISSIONS TEST SITE DESCRIPTION	8
3	APPLICABLE STANDARD REFERENCES	8
4	LIST OF TEST EQUIPMENT	9
5	SUPPORT EQUIPMENT	10
6	EQUIPMENT UNDER TEST SETUP BLOCK DIAGRAM	10
7	SUMMARY OF TESTS	11
7.1	ANTENNA REQUIREMENT – FCC 15.203	11
7.2	POWER LINE CONDUCTED EMISSIONS – FCC 15.207, ISED CANADA: RSS-GEN 8.8.....	11
7.2.1	<i>Measurement Procedure</i>	11
7.2.2	<i>Measurement Results</i>	11
7.3	EMISSION LEVELS	13
7.3.1	<i>Emissions into Restricted Frequency Bands – FCC: Sections 15.205, 15.209; ISED Canada: RSS-Gen 8.9 / 8.10</i>	13
7.3.1.1	Measurement Procedure	13
7.3.1.2	Measurement Results	13
7.3.1.3	Sample Calculation:	14
8	ESTIMATION OF MEASUREMENT UNCERTAINTY	15
9	CONCLUSION	15

1 GENERAL**1.1 Purpose**

The purpose of this report is to demonstrate compliance with Part 15 Subpart C of the FCC's Code of Federal Regulations and Innovation, Science, and Economic Development Canada's Radio Standards Specification RSS-247 Certification for a Class II Permissive Change.

The purpose of this Class II Permissive Change is to add a new antenna and host combination.

1.2 Product Description

The Itron Smart Network Interface Card (model: SNIC1) module is built on Itron's IPv6 OpenWay platform, and includes the Adaptive Communications Technology (ACT). It can process, analyze, communicate and react in real-time. Adaptive communications enable devices to interact with each other while dynamically switching between Radio Frequency (RF) and Power Line Carrier (PLC) to ensure the fastest and most reliable communications path. The communication module utilizes 900 MHz radio frequency (RF), power line carrier (carrier current system) and 2.4 GHz Wi-Fi operation bands.

This Class II Permissive Change addresses the SNIC1 integrated into the Itron, Inc. RN-ERT Gateway STAR (FCC ID: EO9ORRNA).

This test report documents the compliance of the 900 MHz transceiver in the OFDM 1200k mode of operation.

Technical Information:

Detail	Description
Frequency Range	902.8 – 926.8 MHz
Number of Channels	31
Modulation Format	OFDM
Data Rates	1200kbps
Operating Voltage	24Vdc
Antenna Type / Gain	Micro Strip Patch Antenna / 2.5 dBi PCTEL BOA9022NM-ITR / 2.6 dBi (new)

Manufacturer Information:

Itron, Inc.
313 N Hwy 11
West Union, SC 29696

Test Sample Serial Number: 630000C43E

Test Sample Condition: The test samples were provided in good working order with no visible defects.

1.3 Test Methodology and Considerations

All modes of operation were evaluated and the data presented in this report represents the worst case where applicable.

The purpose of this Class II Permissive Change is to add a new antenna and host to the originally certified module, therefore this evaluation is limited to Radiated Emissions testing and AC Power Line Conducted Emissions testing only. This test report corresponds to the data collected on a previous version of the host device. Modifications were made to the host device that warranted a new FCC ID for the host device. The data presented in this test report has been verified with the host device listed in Section 1.2 of this test report, and deemed equivalent to the previously certified host device.

For radiated emissions, the EUT was evaluated in a typical host.

For AC power line conducted emissions the EUT was evaluated with a typical host power supply.

Radiated inter-modulation testing was performed for all combinations of simultaneous transmission and found to comply.

Power setting during test: +8

2 TEST FACILITIES

2.1 Location

The radiated and conducted emissions test sites are located at the following address:

TÜV SÜD America, Inc.
5015 B.U. Bowman Drive
Buford, GA 30518
Phone: (770) 831-8048
Fax: (770) 831-8598

2.2 Laboratory Accreditations/Recognitions/Certifications

TÜV SÜD America, Inc. is accredited to ISO/IEC 17025 by the ANSI-ASQ National Accreditation Board/ANAB accreditation program, and has been issued certificate number AT-2021 in recognition of this accreditation. Unless otherwise specified, all tests methods described within this report are covered under the ISO/IEC 17025 scope of accreditation.

The Semi-Anechoic Chamber Test Site, Open Area Test Site (OATS) and Conducted Emissions Site have been fully described, submitted to, and accepted by the FCC, ISED Canada and the Japanese Voluntary Control Council for Interference by information technology equipment.

FCC Registration Number: 391271

Innovation, Science, and Economic Development Canada Lab Code: IC 23597

VCCI Member Number: 1831

- VCCI OATS Registration Number R-1526
- VCCI Conducted Emissions Site Registration Number: C-1608

2.3 Radiated Emissions Test Site Description

2.3.1 Semi-Anechoic Chamber Test Site

The Semi-Anechoic Chamber Test Site consists of a 20' x 30' x 18' shielded enclosure. The chamber is lined with Toyo Ferrite Grid Absorber, model number FFG-1000. The ferrite tile grid is 101 x 101 x 19mm thick and weighs approximately 550 grams. These tiles are mounted on steel panels and installed directly on the inner walls of the chamber.

The turntable is 150cm in diameter and is located 160cm from the back wall of the chamber. The chamber is grounded via 1 - 8' copper ground rod, installed at the center of the back wall, it is bound to the ground plane using 3/4" stainless steel braided cable.

The turntable is all steel, flush mounted table installed in an all steel frame. The table is remotely operated from inside the control room located 25' from the range. The turntable is electrically bonded to the surrounding ground plane via steel fingers installed on the edge of the turn table. The steel fingers make constant contact with the ground plane during operation.

Behind the turntable is a 3' x 6' x 4' deep shielded pit used for support equipment if necessary. The pit is equipped with 1 - 4" PVC chases from the turntable to the pit that allow for cabling to the EUT if necessary. The underside of the turntable can be accessed from the pit so cables can be supplied to the EUT from the pit.

A diagram of the Semi-Anechoic Chamber Test Site is shown in Figure 2.3-1 below:

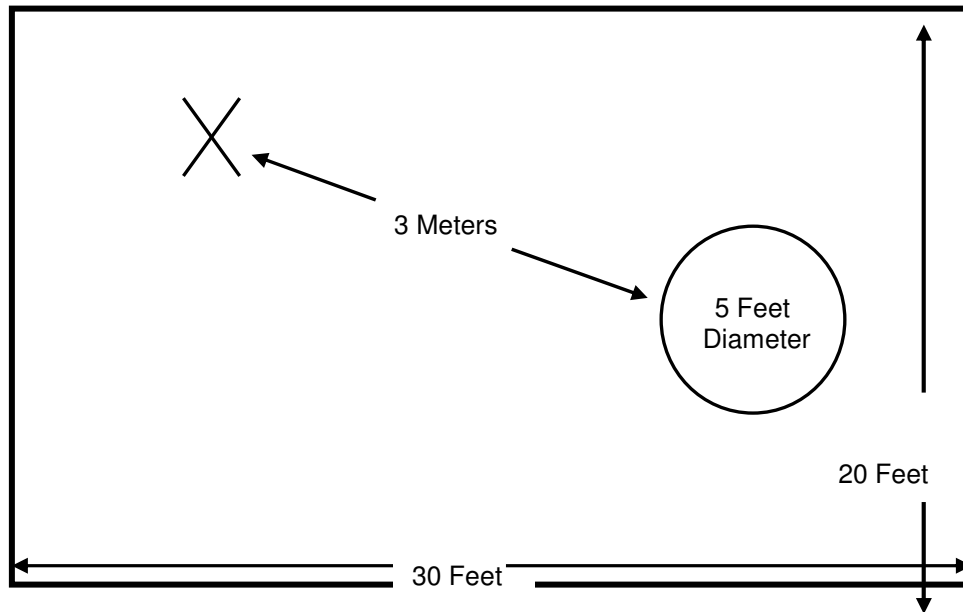


Figure 2.3-1: Semi-Anechoic Chamber Test Site

2.3.2 Open Area Tests Site (OATS)

The open area test site consists of a 40' x 66' concrete pad covered with a perforated electro-plated galvanized sheet metal. The perforations in the sheet metal are 1/8" holes that are staggered every 3/16". The individual sheets are placed to overlap each other by 1/4" and are riveted together to provide a continuous seam. Rivets are spaced every 3" in a 3 x 20 meter perimeter around the antenna mast and EUT area. Rivets in the remaining area are spaced as necessary to properly secure the ground plane and maintain the electrical continuity.

The entire ground plane extends 12' beyond the turntable edge and 16' beyond the antenna mast when set to a 10 meter measurement distance. The ground plane is grounded via 4 - 8' copper ground rods, each installed at a corner of the ground plane and bound to the ground plane using 3/4" stainless steel braided cable.

The turntable is an all aluminum 10' flush mounted table installed in an all aluminum frame. The table is remotely operated from inside the control room located 40' from the range. The turntable is electrically bonded to the surrounding ground plane via steel fingers installed on the edge of the turn table. The steel fingers make constant contact with the ground plane during operation.

Adjacent to the turntable is a 7' x 7' square and 4' deep concrete pit used for support equipment if necessary. The pit is equipped with 5 - 4" PVC chases from the pit to the control room that allow for cabling to the EUT if necessary. The underside of the turntable can be accessed from the pit so cables can be supplied to the EUT from the pit. The pit is covered with 2 sheets of 1/4" diamond style re-enforced steel sheets. The sheets are painted to match the perforated steel ground plane; however the underside edges have been masked off to maintain the electrical continuity of the ground plane. All reflecting objects are located outside of the ellipse referenced in ANSI C63.10.

A diagram of the Open Area Test Site is shown in Figure 2.3-2 below:

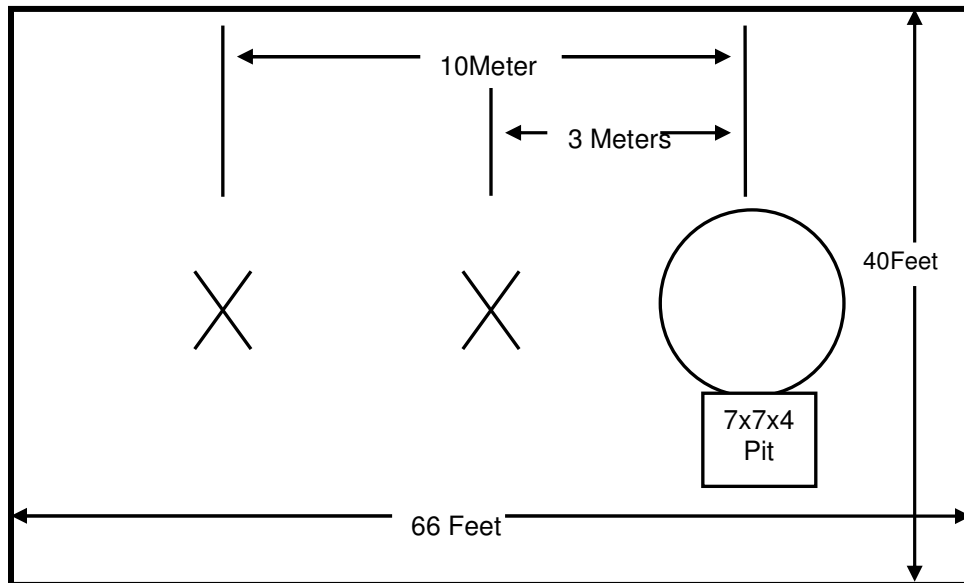


Figure 2.3-2: Open Area Test Site

2.4 Conducted Emissions Test Site Description

The AC mains conducted EMI site is located in the main EMC lab. It consists of an 8' x 12' solid aluminum horizontal ground reference plane (GRP) bonded every 3" to an 8' X 12' vertical ground plane.

The site is of sufficient size to test table top and floor standing equipment in accordance with ANSI C63.10.

A diagram of the room is shown below in figure 2.4-1:

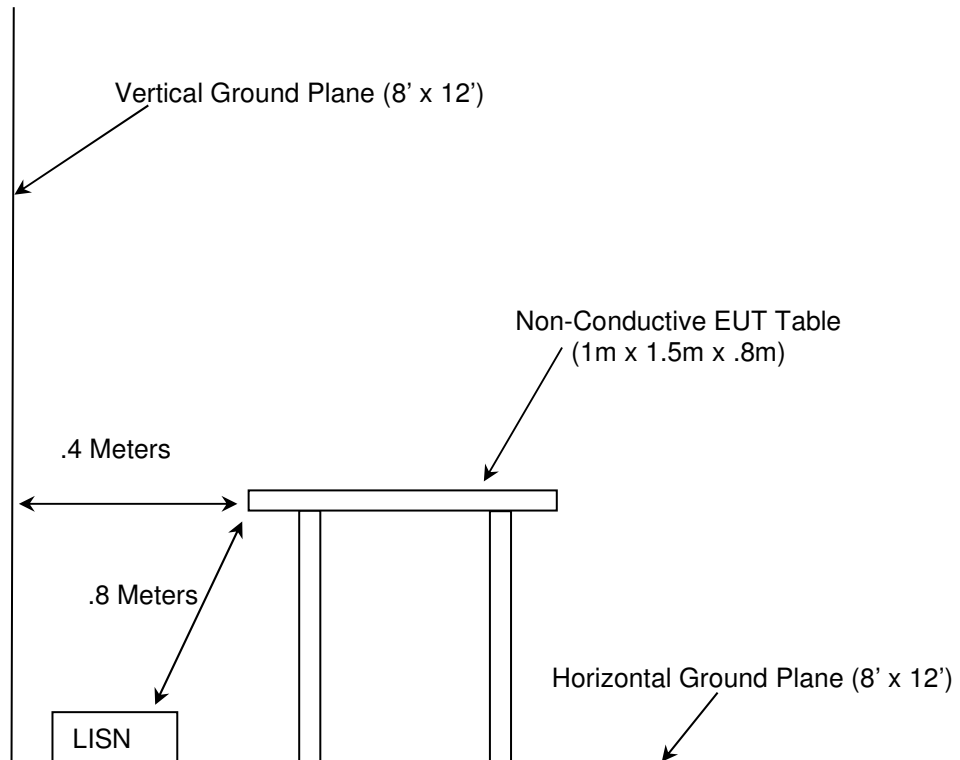


Figure 2.4-1: AC Mains Conducted EMI Site

3 APPLICABLE STANDARD REFERENCES

The following standards were used:

- ❖ ANSI C63.10-2013: American National Standard of Procedures for Compliance Testing of Unlicensed Wireless Devices.
- ❖ US Code of Federal Regulations (CFR): Title 47, Part 2, Subpart J: Equipment Authorization Procedures, 2018
- ❖ US Code of Federal Regulations (CFR): Title 47, Part 15, Subpart C: Radio Frequency Devices, Intentional Radiators, 2018
- ❖ FCC KDB 558074 D01 DTS Meas Guidance v04 - Guidance for Performing Compliance Measurements on Digital Transmission Systems (DTS) Operating Under §15.247, April 5, 2017
- ❖ ISED Canada Radio Standards Specification: RSS-247 – Digital Transmission Systems (DTSs), Frequency Hopping Systems (FHSs) and Licence-Exempt Local Area Network (LE-LAN) Devices, Issue 2, Feb 2017.
- ❖ ISED Canada Radio Standards Specification: RSS-GEN – General Requirements for Compliance of Radio Apparatus, Issue 4, Nov 2014.

4 LIST OF TEST EQUIPMENT

The calibration interval of test equipment is annually or the manufacturer's recommendations. Where the calibration interval deviates from the annual cycle based on the instrument manufacturer's recommendations, it shall be stated below.

Table 4-1: Test Equipment

AssetID	Manufacturer	Model #	Equipment Type	Serial #	Last Calibration Date	Calibration Due Date
30	Spectrum Technologies	DRH-0118	Antennas	970102	5/9/2017	5/9/2019
40	EMCO	3104	Antennas	3211	6/8/2016	6/8/2018
73	Agilent	8447D	Amplifiers	2727A05624	7/24/2017	7/24/2018
167	ACS	Hammer EMI Cable S	Cable Set	167	9/29/2017	9/29/2018
324	ACS	Belden	Cables	8214	3/21/2017	3/21/2018
331	Microwave Circuits	H1G513G1	Filters	31417	5/13/2017	5/13/2018
338	Hewlett Packard	8449B	Amplifiers	3008A01111	7/11/2017	7/11/2019
412	Electro Metrics	LPA-25	Antennas	1241	8/8/2016	8/8/2018
422	Florida RF	SMS-200AW-72.0-SMR	Cables	805	11/27/2017	11/27/2018
616	Florida RF Cables	SMRE-200W-12.0-SMRE	Cables	N/A	10/7/2017	10/7/2018
676	Florida RF Labs	SMS-290AW-480.0-SMS	Cables	MFR2Y194	12/4/2017	12/4/2018
3010	Rohde & Schwarz	ENV216	LISN	3010	7/11/2017	7/11/2018
813	PMM	9010	Receiver	697WW30606	2/6/2017	2/6/2018
819	Rohde & Schwarz	ESR26	Receiver	101345	10/31/2017	10/31/2018

NCR = No Calibration Required

NOTES: All test equipment was used only during active calibration cycles.

5 SUPPORT EQUIPMENT

Table 5-1: Support Equipment – Radiated Emissions

Item	Equipment Type	Manufacturer	Model/Part Number	Serial Number
1	Host Device	Itron, Inc.	RN-ERT Gateway STAR	320483111

Table 5-2: Cable Description – Radiated Emissions

Cable	Cable Type	Length	Shield	Termination
A	AC Power Cable	1.75 m	No	Host Device to AC Mains
B	Ground Braid	1.75 m	No	Host Device – Reference Ground Plane

6 EQUIPMENT UNDER TEST SETUP BLOCK DIAGRAM

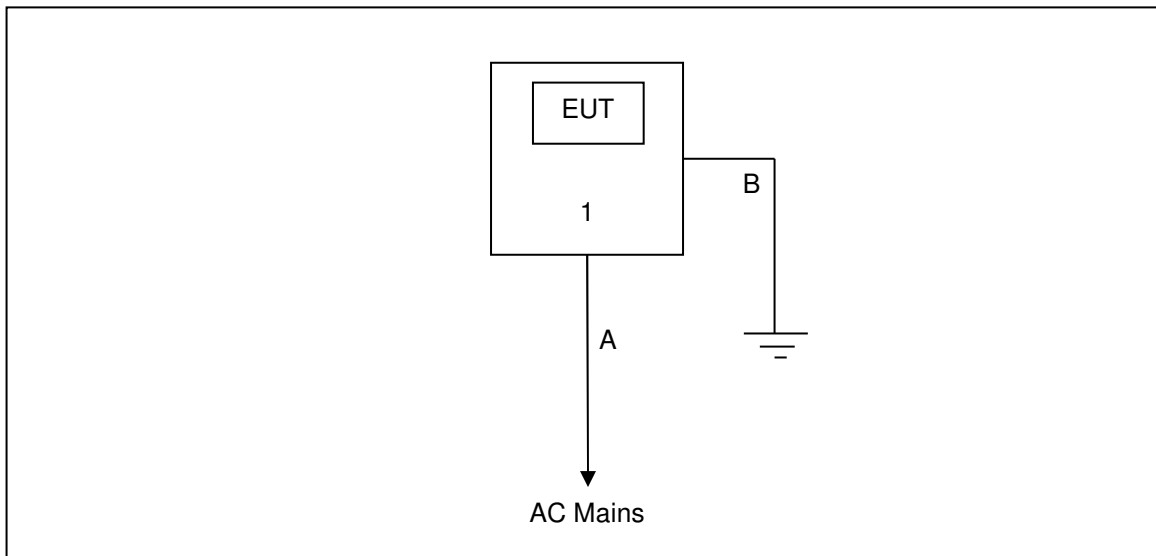


Figure 6-1: Test Setup Block Diagram

7 SUMMARY OF TESTS

Along with the tabular data shown below, plots were taken of all signals deemed important enough to document.

7.1 Antenna Requirement – FCC 15.203

The EUT utilizes a PCTEL BOA9022NM-ITR antenna. The antenna is coupled to the host device via N-Type connector to a SMA connector on the switch board. The EUT has spring fingers contacting traces on the switch board. The EUT is press fit onto the switch board. The gain of the antenna is 2.6 dBi. The EUT and host device require professional installation, therefore meeting the requirements of Section 15.203.

7.2 Power Line Conducted Emissions – FCC 15.207, ISED Canada: RSS-Gen 8.8

7.2.1 Measurement Procedure

Conducted emissions were performed from 150 kHz to 30 MHz with the spectrum analyzer's resolution bandwidth set to 9 kHz and the video bandwidth set to 30 kHz. The calculation for the conducted emissions is as follows:

$$\text{Corrected Reading} = \text{Analyzer Reading} + \text{LISN Loss} + \text{Cable Loss}$$

$$\text{Margin} = \text{Applicable Limit} - \text{Corrected Reading}$$

7.2.2 Measurement Results

Performed by: Eugene Sello

Table 7.2.2-1: Conducted EMI Results – Line 1

Frequency (MHz)	Corrected Reading		Limit		Margin		
	Quasi-Peak (dBuV)	Average (dBuV)	Quasi-Peak (dBuV)	Average (dBuV)	Quasi-Peak (dB)	Average (dB)	Correction (dB)
0.15	25.05	16.9	66	56	-40.95	-39.1	9.59
0.154	25.66	19.54	65.78	55.78	-40.12	-36.24	9.58
0.178	25.51	14.86	64.58	54.58	-39.07	-39.72	9.58
2.534	19.03	10.69	56	46	-36.97	-35.31	9.72
2.626	19.06	10.72	56	46	-36.94	-35.28	9.72
2.666	19.07	10.73	56	46	-36.93	-35.27	9.72
2.702	19.08	10.74	56	46	-36.92	-35.26	9.72
2.962	19.17	10.83	56	46	-36.83	-35.17	9.72
2.99	19.18	10.84	56	46	-36.82	-35.16	9.72
29.986	21.73	13.39	60	50	-38.27	-36.61	9.91

Table 7.2.2-2: Conducted EMI Results – Line 2

Frequency (MHz)	Corrected Reading		Limit		Margin		
	Quasi-Peak (dBuV)	Average (dBuV)	Quasi-Peak (dBuV)	Average (dBuV)	Quasi-Peak (dB)	Average (dB)	Correction (dB)
0.15	25.05	17.07	66	56	-40.95	-38.93	9.59
0.154	25.66	19.19	65.78	55.78	-40.12	-36.59	9.58
11.734	29.35	13.8	60	50	-30.65	-36.2	9.81
11.914	30.76	13.77	60	50	-29.24	-36.23	9.81
12.102	31.27	13.43	60	50	-28.73	-36.57	9.81
12.286	31.38	13.78	60	50	-28.62	-36.22	9.81
12.478	31.12	14.91	60	50	-28.88	-35.09	9.81
12.666	30.75	13.59	60	50	-29.25	-36.41	9.82
12.846	29.78	14.09	60	50	-30.22	-35.91	9.82
29.954	29.25	13.65	60	50	-30.75	-36.35	10

7.3 Emission Levels

7.3.1 Emissions into Restricted Frequency Bands – FCC: Sections 15.205, 15.209; ISED Canada: RSS-Gen 8.9 / 8.10

7.3.1.1 Measurement Procedure

The unwanted emissions into restricted bands were measured radiated over the frequency range of 30 MHz to 10 GHz, 10 times the highest fundamental frequency.

The EUT was rotated through 360° and the receive antenna height was varied from 1 meter to 4 meters so that the maximum radiated emissions level would be detected. For frequencies below 1000 MHz, quasi-peak measurements were made using a resolution bandwidth RBW of 120 kHz and a video bandwidth VBW of 300 kHz. For frequencies above 1000 MHz, peak and average measurements were made with RBW and VBW of 1 MHz and 3 MHz respectively.

Each emission found to be in a restricted band as defined by section 15.205, including any emission at the operational band-edge, was compared to the radiated emission limits as defined in section 15.209.

7.3.1.2 Measurement Results

Performed by: Ryan McGann

Table 7.6.2.2-1: Radiated Spurious Emissions Tabulated Data

Frequency (MHz)	Level (dBuV)		Antenna Polarity (H/V)	Correction Factors (dB)	Corrected Level (dBuV/m)		Limit (dBuV/m)		Margin (dB)	
	pk	Qpk/Avg			pk	Qpk/Avg	pk	Qpk/Avg	pk	Qpk/Avg
Low Channel										
2708.4	57.40	40.62	H	-3.82	53.58	36.80	74.0	54.0	20.4	17.2
2708.4	61.80	44.60	V	-3.82	57.98	40.78	74.0	54.0	16.0	13.2
4514	70.40	41.10	H	1.03	71.43	42.13	74.0	54.0	2.6	11.9
4514	66.50	38.30	V	1.03	67.53	39.33	74.0	54.0	6.5	14.7
Mid Channel										
2744.4	55.81	44.96	H	-3.70	52.11	41.26	74.0	54.0	21.9	12.7
2744.4	64.78	49.61	V	-3.70	61.08	45.91	74.0	54.0	12.9	8.1
3659.2	50.50	36.52	H	-0.49	50.01	36.03	74.0	54.0	24.0	18.0
3659.2	52.42	36.57	V	-0.49	51.93	36.08	74.0	54.0	22.1	17.9
4574	72.50	42.50	H	1.25	73.75	43.75	74.0	54.0	0.2	10.2
4574	69.92	39.38	V	1.25	71.17	40.63	74.0	54.0	2.8	13.4
High Channel										
2780.4	63.30	43.69	H	-3.59	59.71	40.10	74.0	54.0	14.3	13.9
2780.4	67.46	47.89	V	-3.59	63.87	44.30	74.0	54.0	10.1	9.7
4634	70.80	40.70	H	1.48	72.28	42.18	74.0	54.0	1.7	11.8
4634	70.30	38.60	V	1.48	71.78	40.08	74.0	54.0	2.2	13.9

7.3.1.3 Sample Calculation:

$$R_C = R_U + CF_T$$

Where:

CF_T	=	Total Correction Factor (AF+CA+AG)-DC (Average Measurements Only)
R_U	=	Uncorrected Reading
R_C	=	Corrected Level
AF	=	Antenna Factor
CA	=	Cable Attenuation
AG	=	Amplifier Gain
DC	=	Duty Cycle Correction Factor

Example Calculation: PeakCorrected Level: $57.40 - 3.82 = 53.58\text{dBuV/m}$ Margin: $74\text{dBuV/m} - 53.58\text{dBuV/m} = 20.4\text{dB}$ **Example Calculation: Average**Corrected Level: $40.62 - 3.82 - 0 = 36.80\text{dBuV}$ Margin: $54\text{dBuV} - 36.80\text{dBuV} = 17.2\text{dB}$

8 ESTIMATION OF MEASUREMENT UNCERTAINTY

The expanded laboratory measurement uncertainty figures (U_{Lab}) provided below correspond to an expansion factor (coverage factor) $k = 1.96$ which provide confidence levels of 95%.

Parameter	U_{lab}
Occupied Channel Bandwidth	$\pm 0.009 \%$
RF Conducted Output Power	$\pm 0.349 \text{ dB}$
Power Spectral Density	$\pm 0.372 \text{ dB}$
Antenna Port Conducted Emissions	$\pm 1.264 \text{ dB}$
Radiated Emissions $\leq 1 \text{ GHz}$	$\pm 5.814 \text{ dB}$
Radiated Emissions $> 1 \text{ GHz}$	$\pm 4.318 \text{ dB}$
Temperature	$\pm 0.860 \text{ }^\circ\text{C}$
Radio Frequency	$\pm 2.832 \times 10^{-8}$
AC Power Line Conducted Emissions	$\pm 3.360 \text{ dB}$

9 CONCLUSION

In the opinion of TÜV SÜD America, Inc. the SNIC1, manufactured by Itron, Inc. meets the requirements of FCC Part 15 subpart C and ISED Canada's Radio Standards Specification RSS-247 for the tests documented in this test report.

END REPORT