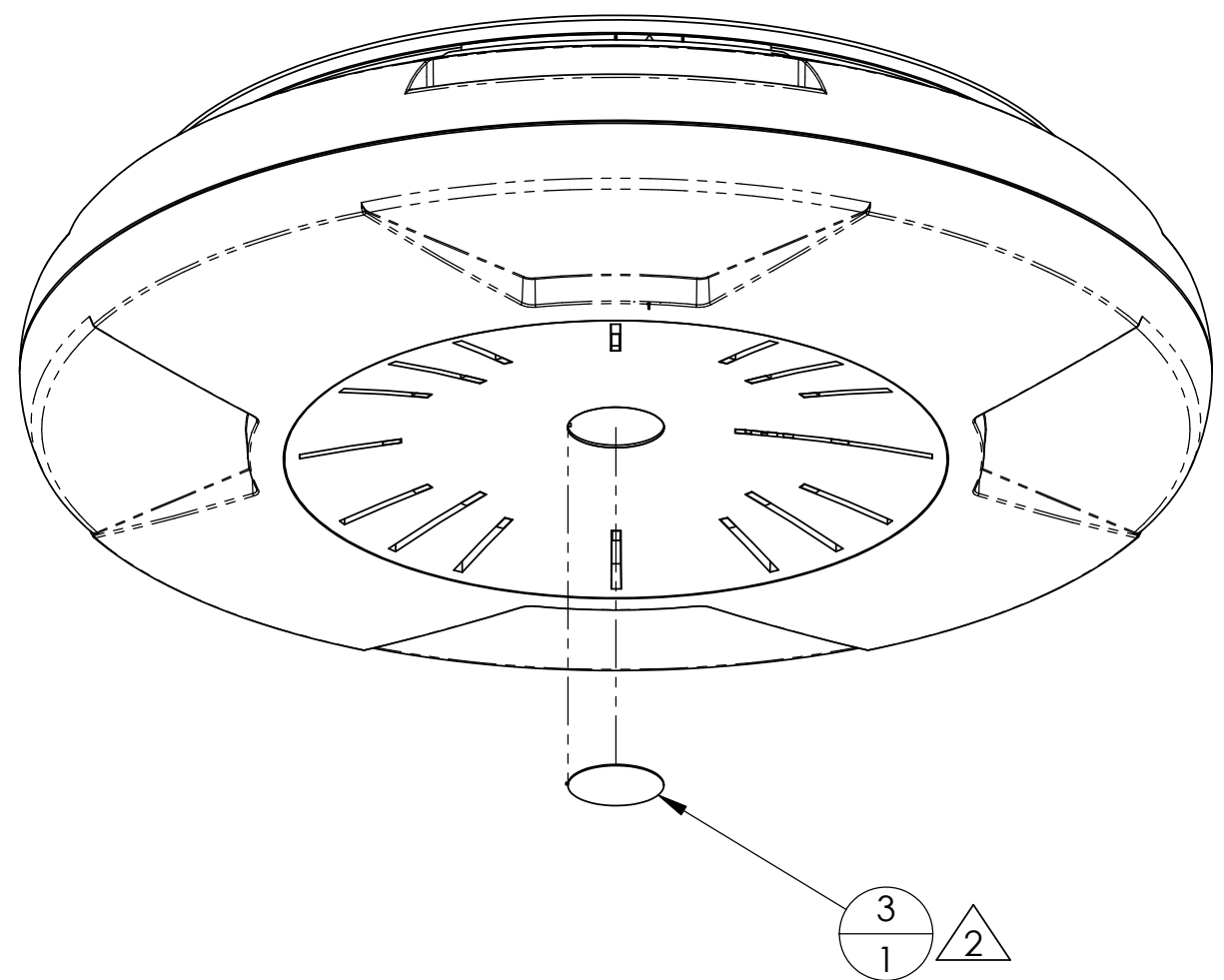


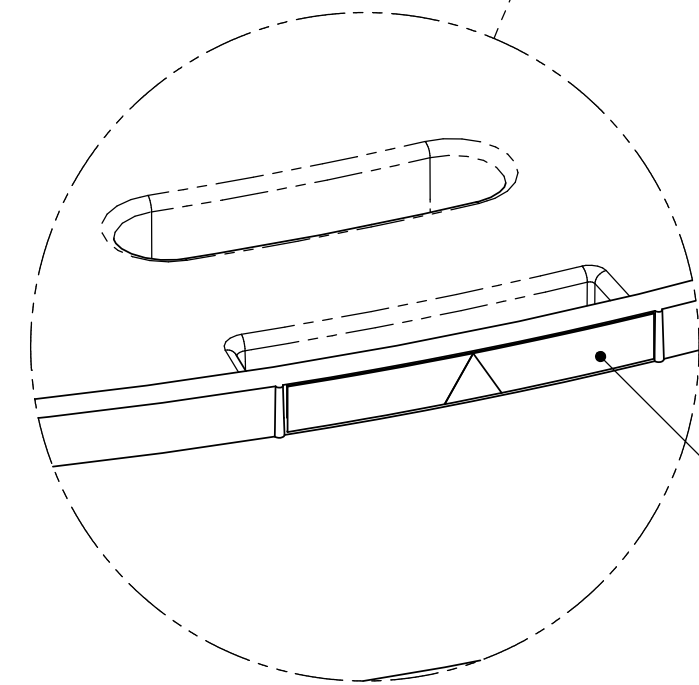
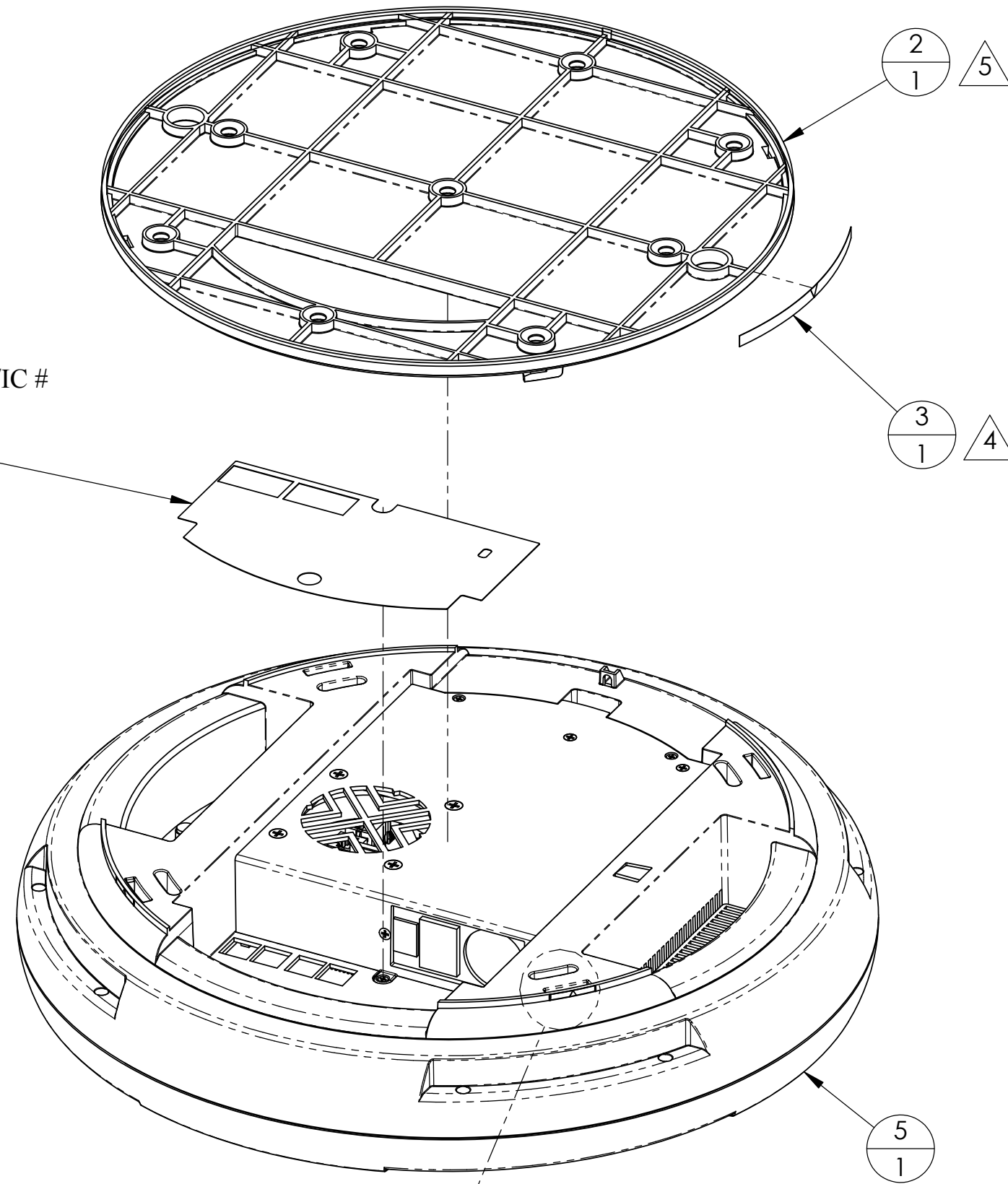
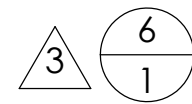
NOTES:

1. SPLIT BALLOONS CONTAIN ITEM NUMBER IN THE TOP PORTION AND QUANTITY IN THE BOTTOM PORTION.
2. ALIGN TAB ON EMBLEM WITH SLOT IN EMBLEM RECESS. CENTER EMBLEM WITHIN CIRCULAR EMBLEM RECESS.
3. PRODUCT LABEL AND ALIGNMENT LABELS MUST BE INSTALLED PRIOR TO INSTALLING BRACKET ONTO UNIT. CENTER ALIGNMENT INDICATOR LABEL BETWEEN TWO VERTICAL RIBS ON BRACKET, DO NOT OVERLAP TOP OR BOTTOM EDGE OF BRACKET.
4. BRACKET REMOVAL LABEL ARROW MUST BE ALIGNED WITH RIB AS SHOWN. DO NOT OVERLAP TOP OR BOTTOM EDGE OF BRACKET.
5. ALIGN BRACKET AS SHOWN AND TWIST CLOCKWISE TO LOCK IN PLACE.

REVISIONS					
ZONE	REV.	DESCRIPTION	DATE	BY	APPROVED
	A	INITIAL RELEASE	11/2/2004	C. LEONARD	I. LAITY
	B	CHANGED SHAPE OF PRODUCT LABEL TO RECTANGLE	12/21/2004	C. LEONARD	I. LAITY
	C	REPLACED PRODUCT LABEL 830-0003-001 WITH 830-0002-001	1/27/2005	C. LEONARD	I. LAITY
	C1	TITLE WAS "TLA, MCAP16, LABELED"	1/28/2005	C. LEONARD	I. LAITY
	C2	ADDED 2 LABELS: ALIGNMNET, AND BRACKET REMOVAL	2/3/2005	C. LEONARD	I. LAITY



Label with FCC ID/IC #



DETAIL D
SCALE 2 : 1
TYP, 4 PLACES, RADIALLY

PROPRIETARY AND CONFIDENTIAL
THE INFORMATION CONTAINED IN THIS DRAWING IS THE SOLE PROPERTY OF XIRRUS. ANY REPRODUCTION IN PART OR AS A WHOLE WITHOUT THE WRITTEN PERMISSION OF XIRRUS IS PROHIBITED.

6	830-0002-001	LABEL PRODUCT, XS3900-16	1
5	170-0001-001	TLA, XS3900-16, UNLABELED	1
4	830-0014-001	XS3900,LABEL, ALIGNMENT INDICATOR	4
3	830-0013-001	XS3900,LABEL, BRACKET REMOVAL	1
2	220-0001-001	BRACKET, MOUNTING	1
1	830-0006-001	EMBLEM, 1.5, XS3900	1
ITEM NO.	PART NO.	DESCRIPTION	QTY

UNLESS OTHERWISE SPECIFIED:
 DIMENSIONS ARE IN INCHES
 TOLERANCES:
 FRACTIONAL ± 1/4"
 ANGULAR: MACH ± 1/4"
 BEND ± 1/4"
 TWO PLACE DECIMAL ± .015
 THREE PLACE DECIMAL ± .005
 INTERPRET GEOMETRIC TOLERANCING PER ASME Y14.5M
 MATERIAL
 FINISH
 DO NOT SCALE DRAWING

NAME	DATE
DRAWN C. LEONARD	11/2/2004
CHECKED I. LAITY	2/4/2005
ENG APPR.	
MFG APPR.	
Q.A.	
COMMENTS:	

XIRRUS 370 North Westlake Blvd, Suite 200 Westlake Village, California 91362

TITLE: TLA, XS3900-16, LABELED

SIZE DWG. NO.	REV
C 185-0001-001	C2
PART NO. 180-0001-001	
SCALE: 1:3	SHEET 1 OF 1